

# SHR CoaXPress

shr661CCX12



## General

Model:	shr661CCX12
Product code:	F004142
Product series:	SHR CoaXPress
Status:	Available

## Sensor

Sensor type:	Area scan
Chroma:	Color
Spectrum:	Visible
Spectral range:	400 nm to 1000 nm
Resolution:	13,392 × 9,528 (127.60 MP)
Sensor model:	Sony IMX661
Sensor architecture (material):	cmos
Shutter type(s):	global-shutter
Sensor size:	46.2 × 32.87 mm (56.7 mm, 56.73mm (Type 3.6))
Pixel size:	3.45 μm × 3.45 μm

## Pixel formats

Sensor bit depth:	8-Bit,10-Bit,12-Bit,16-Bit
RGB pixel formats:	bayer8, bayer10, bayer12, bayer16

## Imaging performance

Dynamic range:	74.4 dB
SNR:	41.5 dB

## Timing and gain

Max. frame rate:	20.3 fps
Exposure time:	1 $\mu$ s to 60 s
Gain:	0.0 dB to 36.0 dB

## I/Os and power

Non-isolated lines:	0 x LVDS input, 0 x LVDS output, 0 x TTL input, 0 x TTL output, 2 x 24V input, 4 x Open drain output,
Specific non-isolated lines:	1 x RS232 input, 1 x RS232 output, 0 x RS422 input, 0 x RS422 output,
Opto-isolated lines:	1 x Optical isolated input, 0 x Optical isolated input,
Power supply:	10 to 25VDC, Power over CoaXPress
Power consumption:	External: 17 W (typical)

## Operating conditions

Operating temperature (housing):	-10 °C to 60 °C
----------------------------------	-----------------

## Mechanical properties

Body dimensions (L x W x H in mm):	83 x 80 x 80
Filter/protection glass:	IR-Cut 680
IP class:	IP30
Lens mount(s):	M72x0.75
Weight:	580 g

## On-board memory and FPGA

Non-volatile memory (Flash):	160 MByte
------------------------------	-----------

## Interfaces

Digital interface:	cxp-12 with 4 connections
Interface connector:	(micro-BNC)

## FW features - image control

Exposure modes:	Manual, Auto, External
Gain modes:	Auto, Manual
White balance modes:	auto, manual

## FW features - image control

Image control features:

FW Features - Image Control

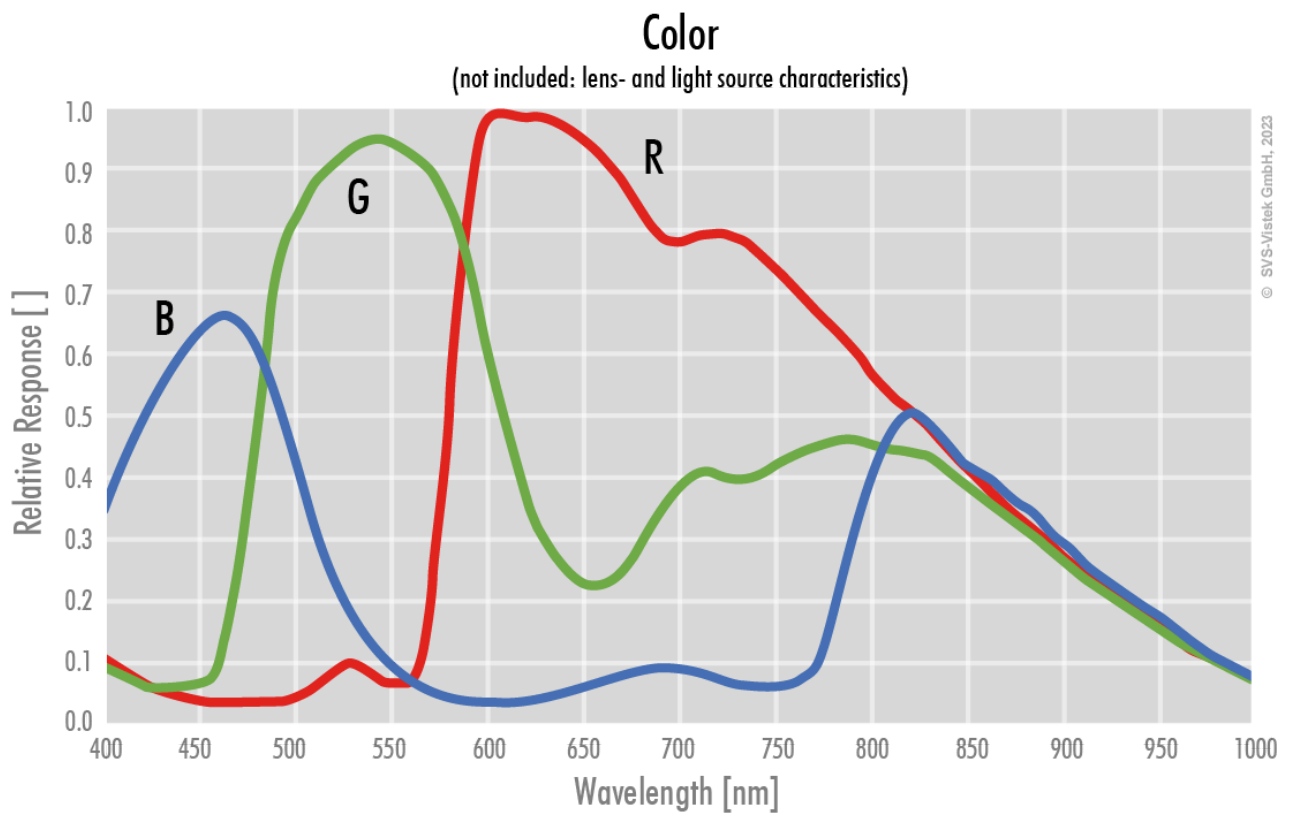
## FW features - camera control

Trigger modes/sync:

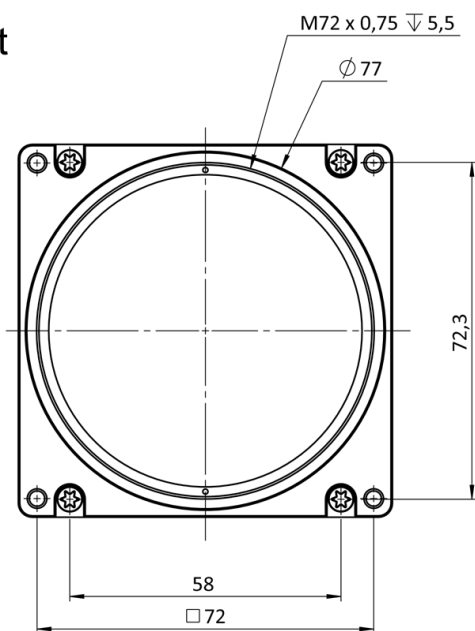
INTERNAL,SOFTWARE,EXTERNAL

Camera control features:

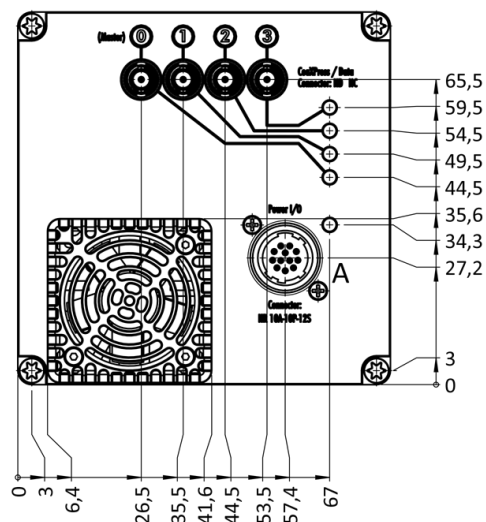
PoCxP, User Sets, PWM(4), Sequencer,



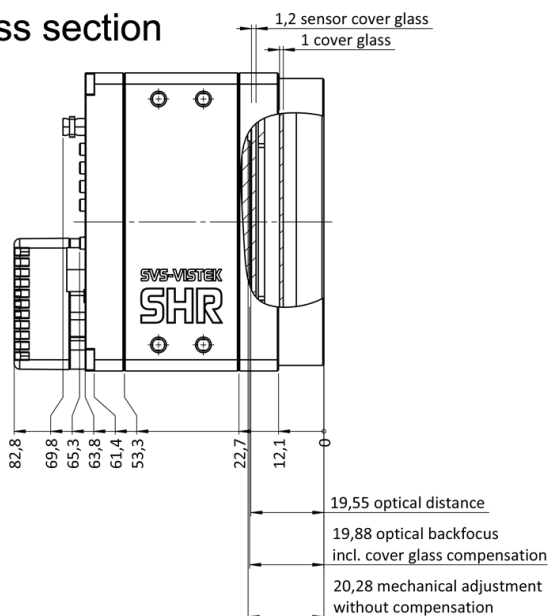
front



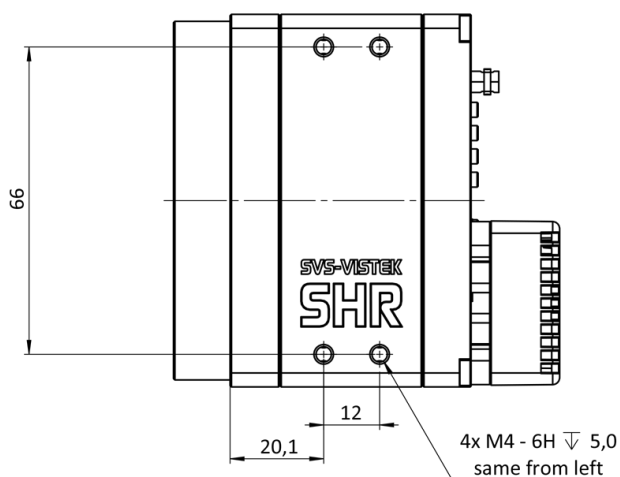
back



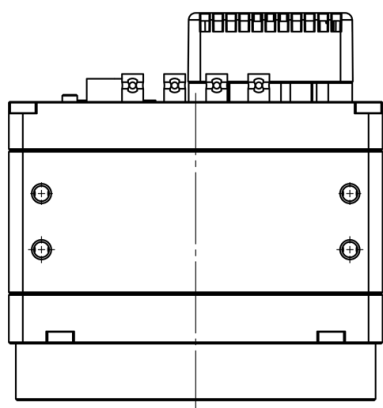
cross section



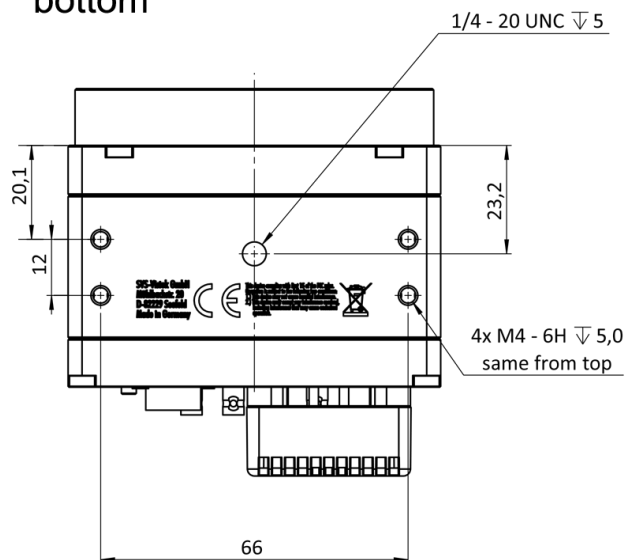
right side



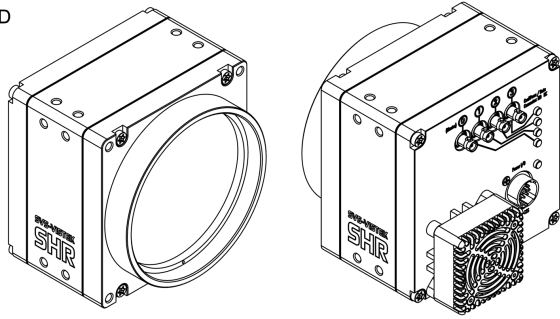
top



bottom



3D



## I/O pin assignment

Hirose 12 Pin



1	VIN -	(GND)	7	OUT 1	(open drain)
2	VIN +	(10 V to 25 V DC)	8	OUT 2	(open drain)
3	IN 4	(RXD RS232)	9	IN 3 +	(opto In +)
4	OUT 4	(TXD RS232)	10	IN 3 -	(opto In -)
5	IN 1	(0-24V)	11	OUT 3	(open drain)
6	IN 2	(0-24V)	12	OUT 0	(open drain)