

HR Camera Link

hr25CCL



General

| | |
|-----------------|----------------|
| Model: | hr25CCL |
| Product code: | F004052 |
| Product series: | HR Camera Link |
| Status: | Available |

Sensor

| | |
|---------------------------------|--|
| Sensor type: | Area scan |
| Chroma: | Color |
| Spectrum: | Visible |
| Spectral range: | 400 nm to 1000 nm |
| Resolution: | 5,120 × 5,120 (25.00 MP) |
| Sensor model: | ON Semi PYTHON 25K |
| Sensor architecture (material): | cmos |
| Shutter type(s): | global-shutter |
| Sensor size: | 23.04 × 23.04 mm (32.58 mm, 32.58mm (APS-H)) |
| Pixel size: | 4.50 μm × 4.50 μm |

Pixel formats

| | |
|--------------------|-----------------|
| Sensor bit depth: | 8-Bit,10-Bit |
| RGB pixel formats: | bayer8, bayer10 |

Timing and gain

| | |
|------------------|--------------------|
| Max. frame rate: | 31.8 fps |
| Exposure time: | 21 μ s to 60 s |
| Gain: | 0.0 dB to 18.0 dB |

I/Os and power

| | |
|------------------------------|---|
| Non-isolated lines: | 0 x LVDS input, 0 x LVDS output, 0 x TTL input, 0 x TTL output, 2 x 24V input, 4 x Open drain output, |
| Specific non-isolated lines: | 1 x RS232 input, 1 x RS232 output, 0 x RS422 input, 0 x RS422 output, |
| Opto-isolated lines: | 1 x Optical isolated input, 0 x Optical isolated input, |
| Power supply: | 10 to 25VDC |
| Power consumption: | External: 10 W (typical) |

Operating conditions

| | |
|----------------------------------|-----------------|
| Operating temperature (housing): | -10 °C to 65 °C |
|----------------------------------|-----------------|

Mechanical properties

| | |
|------------------------------------|--------------|
| Body dimensions (L x W x H in mm): | 56 x 70 x 70 |
| IP class: | IP40 |
| Lens mount(s): | M58x0.75 |
| Weight: | 420 g |

On-board memory and FPGA

| | |
|------------------------------|----------|
| Non-volatile memory (Flash): | 32 MByte |
|------------------------------|----------|

Interfaces

| | |
|----------------------|--------------------|
| Digital interface: | camera link 80-bit |
| Interface connector: | SDR |

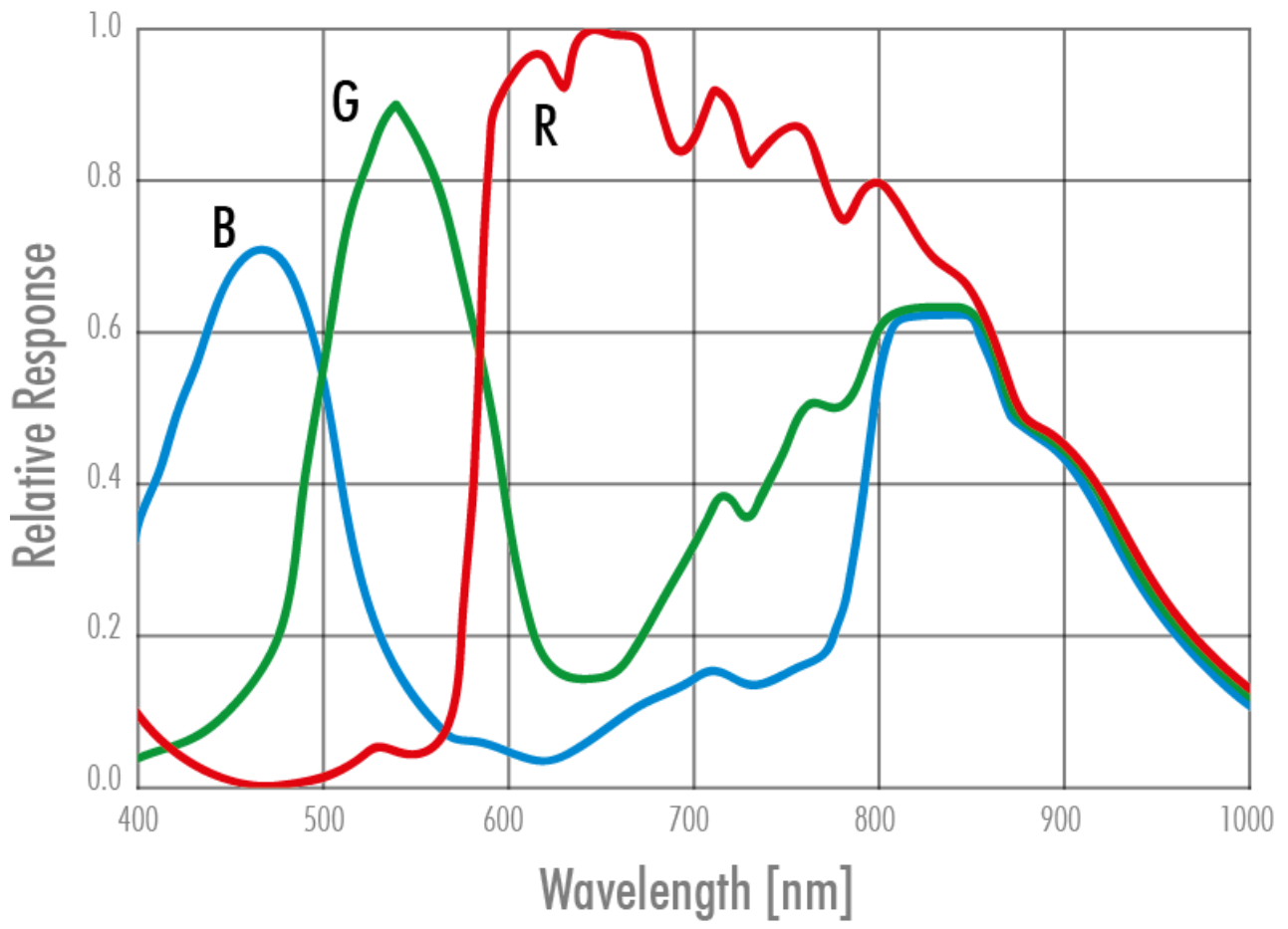
FW features - image control

| | |
|-------------------------|-----------------------------|
| Exposure modes: | Manual, Auto, External |
| Gain modes: | Auto, Manual |
| White balance modes: | auto, manual |
| Image control features: | FW Features - Image Control |

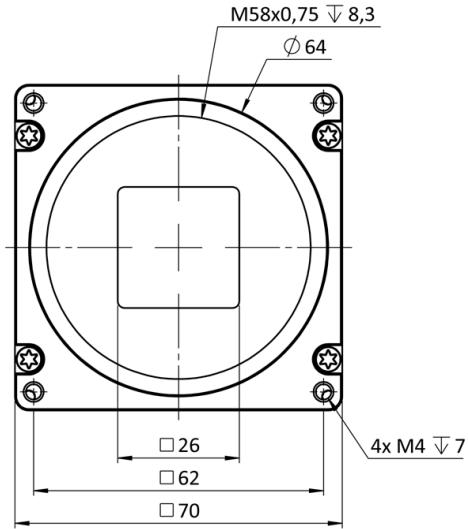
FW features - camera control

| | |
|--------------------------|-------------------------------|
| Trigger modes/sync: | INTERNAL, SOFTWARE, EXTERNAL |
| Camera control features: | User Sets, PWM(4), Sequencer, |

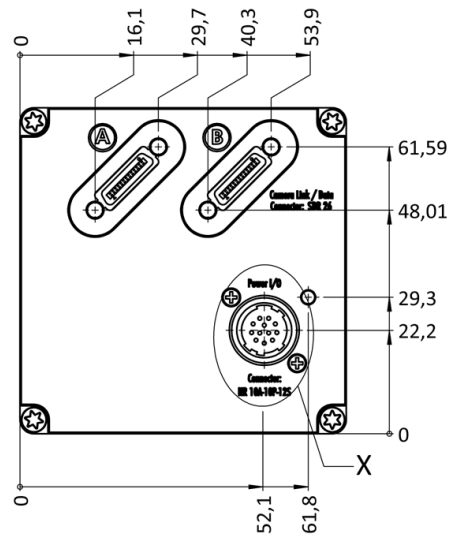
Quantum Efficiency



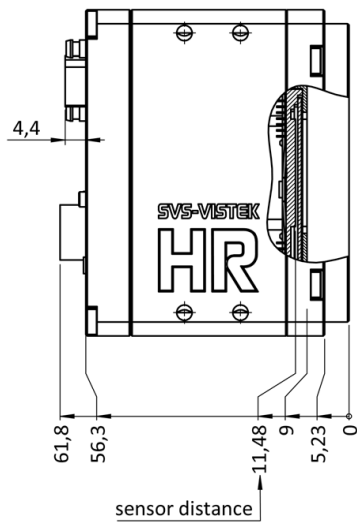
front view



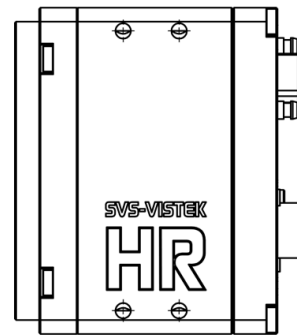
back view



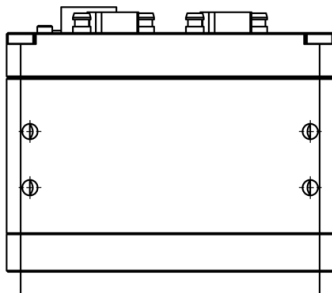
cross section



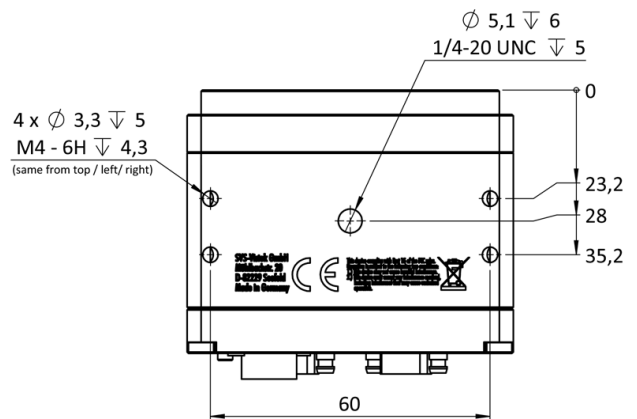
right view



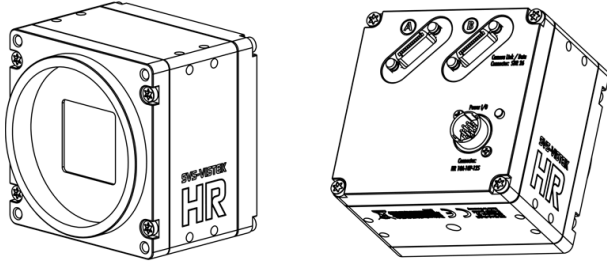
top view



bottom view



3D view



I/O pin assignment



| | | | |
|---|-------------------------|----|--------------------|
| 1 | VIN - (GND) | 7 | OUT 1 (open drain) |
| 2 | VIN + (10 V to 25 V DC) | 8 | OUT 2 (open drain) |
| 3 | IN 4 (RXD RS232) | 9 | IN 3 + (opto In +) |
| 4 | OUT 4 (TXD RS232) | 10 | IN 3 - (opto In -) |
| 5 | IN 1 (0-24V) | 11 | OUT 3 (open drain) |
| 6 | IN 2 (0-24V) | 12 | OUT 0 (open drain) |