

## General

Model:	fxo487MXGE
Product code:	F002219
Product series:	FXO Ultraviolet
Status:	Available

## Sensor

Sensor type:	Area scan
Chroma:	Mono
Spectrum:	UV
Spectral range:	200 nm to 400 nm
Resolution:	2,840 × 2,840 (8.10 MP)
Sensor model:	Sony IMX487
Sensor architecture (material):	cmos
Shutter type(s):	global-shutter
Sensor size:	7.78 × 7.78 mm (11 mm, 11.1mm (Type 2/3))
Pixel size:	2.74 μm × 2.74 μm

## Pixel formats

Sensor bit depth:	8-Bit, 12-Bit
Monochrome pixel formats:	mono8, mono12

## Timing and gain

Max. frame rate:	87 fps
Exposure time:	6 μs to 60 s
Gain:	0.0 dB to 48.0 dB

## I/Os and power

Non-isolated lines:	0 x LVDS input, 0 x LVDS output, 0 x TTL input, 0 x TTL output, 2 x 24V input, 4 x Open drain output,
Specific non-isolated lines:	1 x RS232 input, 1 x RS232 output, 0 x RS422 input, 0 x RS422 output,

## I/Os and power

Opto-isolated lines:	1 x Optical isolated input, 0 x Optical isolated input,
Power supply:	10 to 25VDC, Power over Ethernet
Power consumption:	External: 9 W (typical)

## Operating conditions

Operating temperature (housing):	-10 °C to 60 °C
----------------------------------	-----------------

## Mechanical properties

Body dimensions (L x W x H in mm):	76 × 50 × 50
Filter/protection glass:	UV Fused Silica 185-800nm
IP class:	IP30
Lens mount(s):	C-Mount
Weight:	240 g

## On-board memory and FPGA

Image buffer (RAM):	896 MByte
Non-volatile memory (Flash):	32 MByte

## Interfaces

Digital interface:	10gige
Interface connector:	(RJ-45)

## FW features - image control

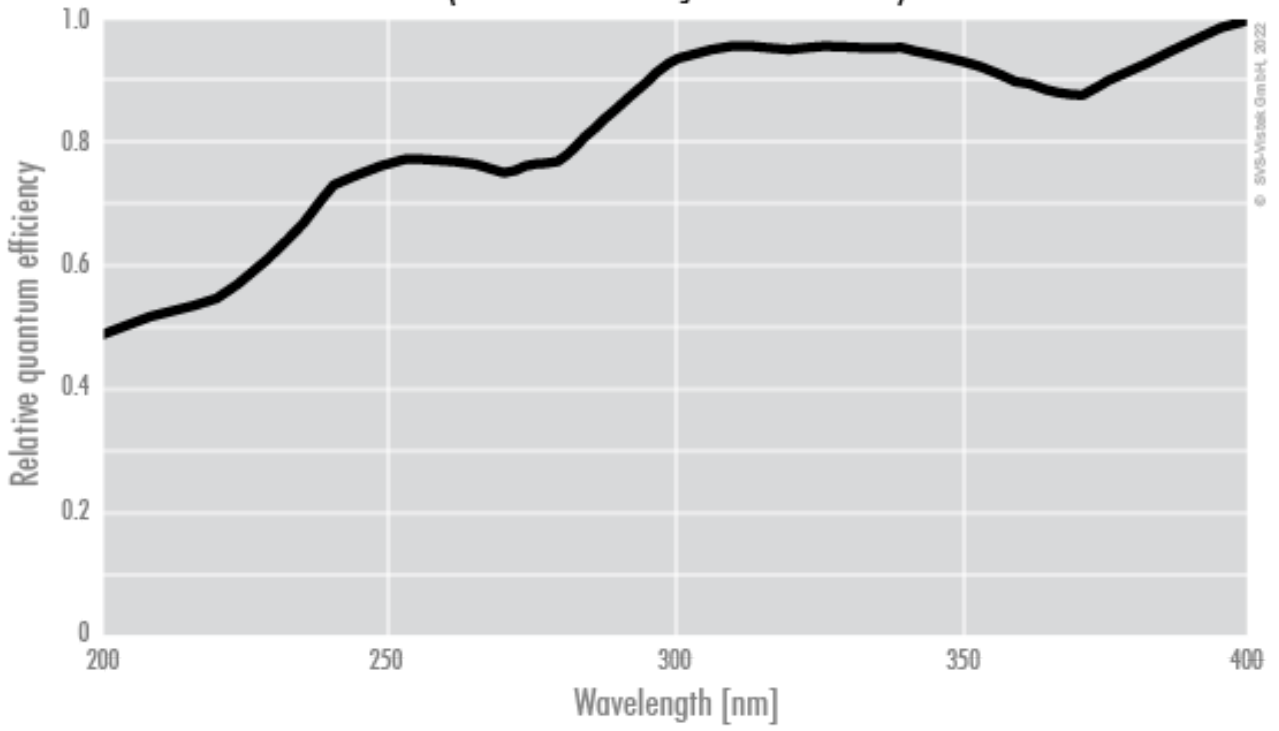
Exposure modes:	Manual, Auto, External
Gain modes:	Auto, Manual
Image control features:	FW Features - Image Control

## FW features - camera control

Trigger modes/sync:	INTERNAL,SOFTWARE,EXTERNAL
Camera control features:	PTP, User Sets, POE, PWM(4), Sequencer,

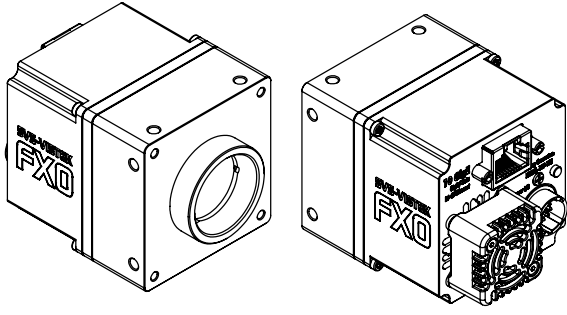
### Ultraviolet

(not included: lens- and light source characteristics)



© SWS-Visstek GmbH, 2022





## I/O pin assignment

Hirose 12 Pin



1	VIN - (GND)	7	OUT1 (open drain)
2	VIN + (10 V to 25 V DC)	8	OUT2 (open drain)
3	IN 4 (RXD RS232)	9	IN 3 + (opto In +)
4	OUT 4 (TXD RS232)	10	IN 3 - (opto In -)
5	IN 1 (0-24V)	11	OUT 3 (open drain)
6	IN 2 (0-24V)	12	OUT 0 (open drain)