

SHR CoaXPress

shr411MCX



常规

型号:	shr411MCX
产品代码:	F004080
产品系列:	SHR CoaXPress
状态:	Available

传感器

传感器类型:	Area scan
色度:	Mono
光谱:	Visible
光谱范围:	400 nm to 1000 nm
分辨率:	14,192 × 10,640 (151.00 MP)
传感器型号:	Sony IMX411
传感器架构 (材料) :	cmos
快门类型:	rolling-shutter
传感器尺寸:	53.36 × 40.01 mm (66.69 mm, 66.7mm (Type 4.2))
像素尺寸:	3.76 μm × 3.76 μm

像素格式

传感器位深度:	8-Bit,10-Bit,12-Bit,16-Bit
单色像素格式:	mono8, mono10, mono12, mono16

成像性能

动态范围:	78 dB
信噪比:	46.9 dB

时序与增益

最大帧率:	6.2 fps
曝光时间:	60 μ s to 60 s
增益:	0.0 dB to 36.0 dB

I/O与电源

非电气隔离IO:	0 x LVDS input, 0 x LVDS output, 0 x TTL input, 0 x TTL output, 2 x 24V input, 4 x Open drain output,
特定非电气隔离IO:	1 x RS232 input, 1 x RS232 output, 0 x RS422 input, 0 x RS422 output,
光电隔离线路:	1 x Optical isolated input, 0 x Optical isolated input,
电源供应:	10 to 25VDC, Power over CoaXPress
功耗:	External: 14 W (typical)

工作条件

工作温度 (外壳):	-10 °C to 65 °C
------------	-----------------

机械特性

机身尺寸 (L x W x H mm) :	83 x 80 x 80
滤光片/保护玻璃:	Borofloat B270i - AR coating
IP防护等级:	IP30
镜头接口:	M72x0.75
重量:	600 g

板载内存与FPGA

非易失性存储器 (闪存) :	160 MByte
----------------	-----------

接口

数字接口:	cxp-6 with 4 connections
接口连接器:	(Din1.0/2.3)

固件功能 - 图像控制

曝光模式:	Manual, Auto
增益模式:	Auto, Manual

固件功能 - 图像控制

图像控制功能:

FW Features - Image Control

固件功能 - 相机控制

触发模式/同步:

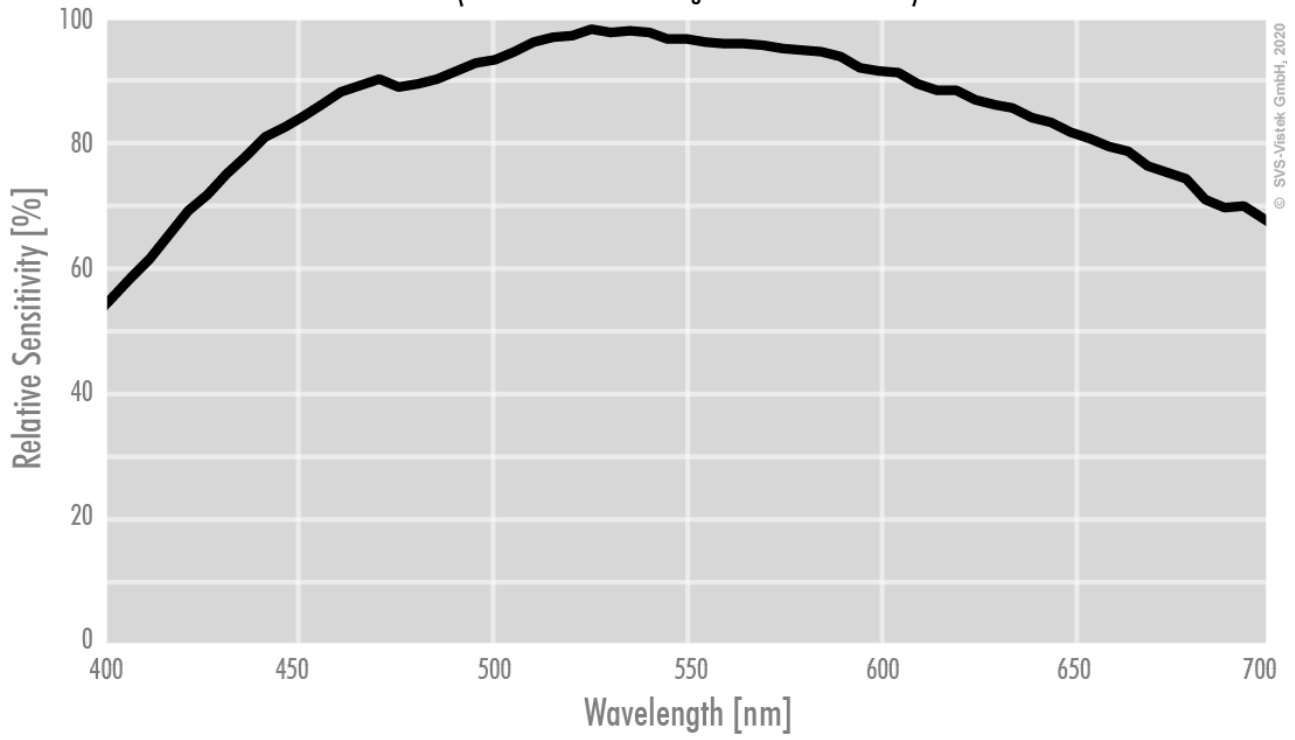
INTERNAL, SOFTWARE, EXTERNAL

相机控制功能:

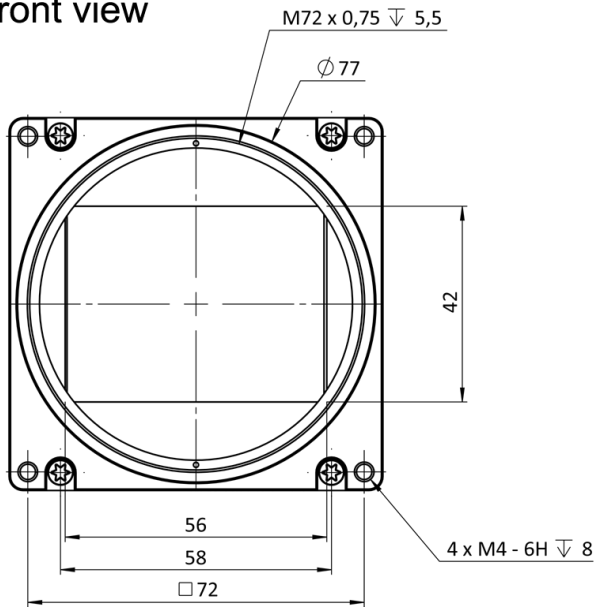
PoCxP, User Sets, PWM(4), Sequencer,

Monochrome

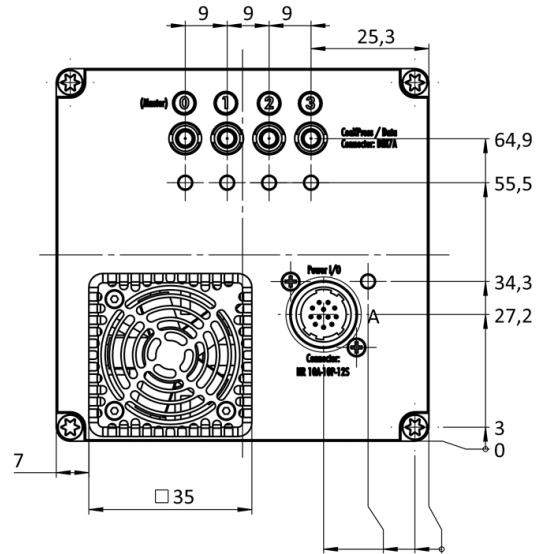
(not included: lens- and light source characteristics)



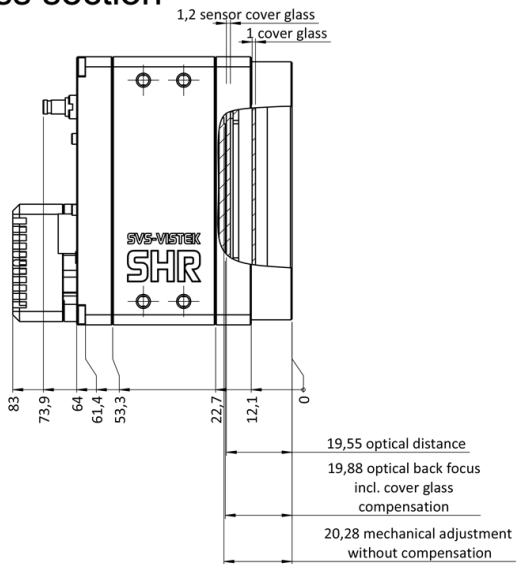
front view



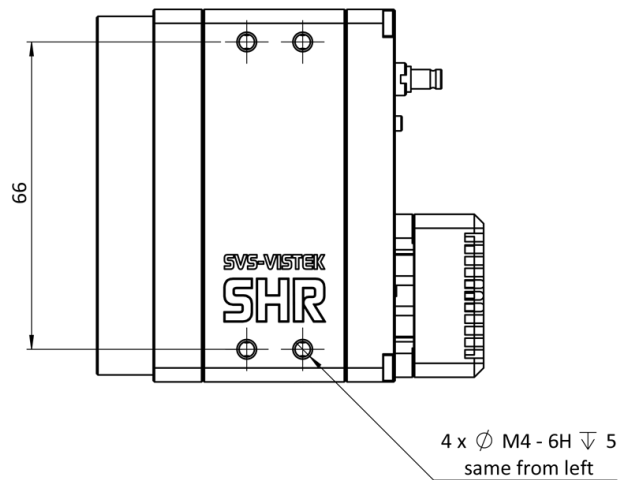
back view



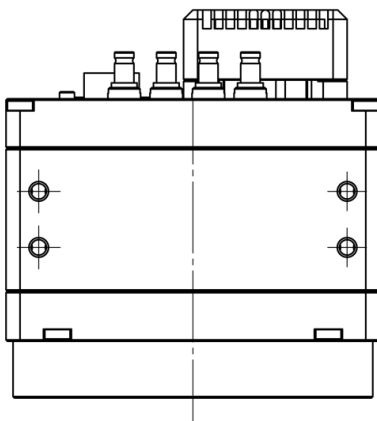
cross section



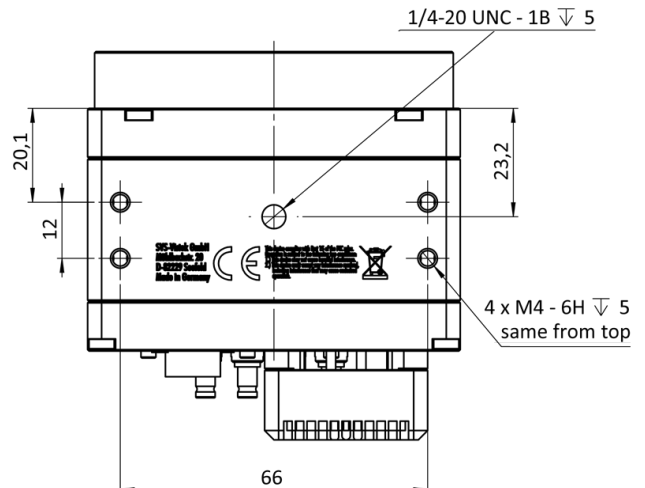
right view



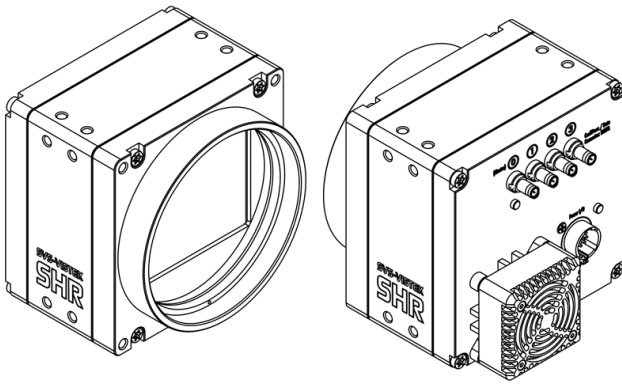
top view



bottom view



3D view



I/O pin assignment



1	VIN - (GND)	7	OUT 1 (open drain)
2	VIN + (10 V to 25 V DC)	8	OUT 2 (open drain)
3	IN 4 (RXD RS232)	9	IN 3 + (opto In +)
4	OUT 4 (TXD RS232)	10	IN 3 - (opto In -)
5	IN 1 (0-24V)	11	OUT 3 (open drain)
6	IN 2 (0-24V)	12	OUT 0 (open drain)