

Prosilica GX

2750



- 240 MBps with dual interface LAG technology
- 3-axis motorized lens control
- 20 fps at full resolution
- Sony ICX694 sensor

Description

GigE Vision camera, Sony ICX694 CCD sensor, 20 fps

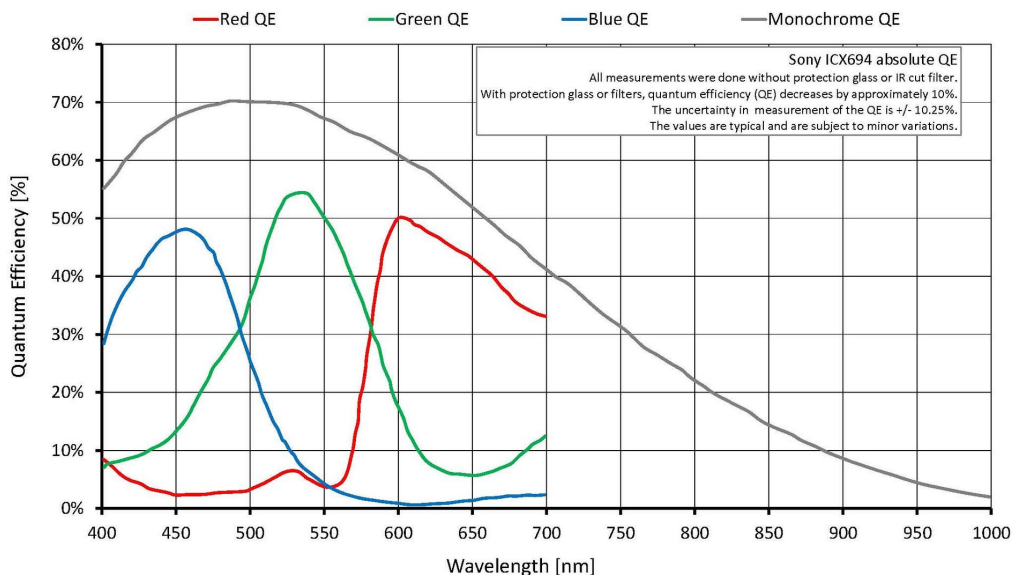
Prosilica GX2750 is a high-resolution CCD camera with two Gigabit Ethernet ports (GigE Vision®). This camera incorporates the Sony ICX694 CCD sensor that provides high sensitivity, near IR response, low noise, anti-blooming, and excellent image quality. Prosilica GX2750 is offered in both monochrome (GX2750) and color (GX2750C) models. This camera has two screw-captivated Gigabit Ethernet ports configured as a Link Aggregation Group (LAG) to provide a sustained maximum data rate of 240 MBps. It can also work at half the bandwidth (120 MBps) using a single cable. At full resolution, this camera has a frame rate of 20 frames per second. With a smaller region of interest higher frame rates are possible. By default monochrome models ship with no optical filter and color models ship with an IRC30 IR cut filter.

Specifications

Prosilica GX	2750
インターフェイス	IEEE 802.3 1000baseT
解像度	2750 (H) × 2200 (V)
センサー	Sony ICX694
Sensor type	CCD Progressive
センサーサイズ	Type 1
ピクセルサイズ	4.54 μm × 4.54 μm
レンズマウント (標準搭載)	C-Mount
フレームレート (フル解像度)	20 fps
ADC	14 bit
Image buffer (RAM)	128 MByte

Output

Prosilica GX	2750
Bit depth	14 (monochrome); 12 (color) bit
ビデオフォーマット(Mono)	Mono8, Mono12, Mono12Packed, Mono14
ビデオフォーマット(RGB)	RGB8Packed, BGR8Packed, RGBA8Packed, BGRA8Packed
ビデオフォーマット(Raw)	BayerRG8, BayerRG12, BayerGR12Packed
General purpose inputs/outputs (GPIOs)	
Opto-isolated I/Os	2 inputs, 4 outputs
RS232	1
Operating conditions/dimensions	
Operating temperature	0 °C to +50 °C ambient (without condensation)
Power requirements (DC)	10 to 24 VDC
消費電力	6.1 W at 12 VDC (Single GigE Mode); 7.1 W at 12 VDC (Dual GigE Mode)
Mass	264 g
Body dimensions (L × W × H in mm)	108.1 × 53.3 × 33 (including connectors)
Regulations	CE: 2014/30/EU (EMC), 2011/65/EU, including amendment 2015/863/EU (RoHS); FCC Class A; CAN ICES-003



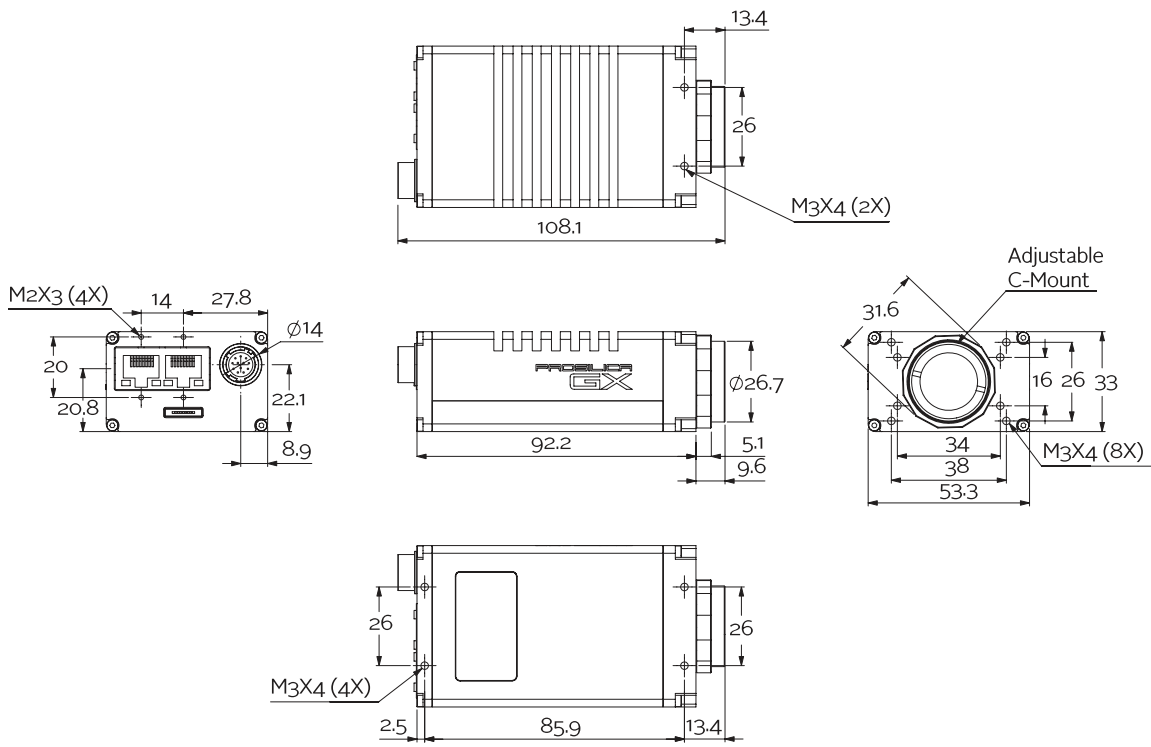
Features

Prosilica GX2750 features include:



- 3-axis motorized lens control
- Video-type auto iris
- Region of interest (ROI), DSP subregion (selectable ROI for auto features)
- Binning (Sum)
- Auto gain (manual gain control: 0 to 33 dB)
- Auto exposure (manual exposure controls: 10 μ s to 26.8 s)
- Auto white balance
- StreamBytesPerSecond (bandwidth control)
- Stream hold
- Sync out modes: Trigger ready, input, exposing, readout, imaging, strobe, GPO
- Global shutter (digital shutter)
- Recorder and Multiframe acquisition modes
- Event channel
- Chunk data
- Storable user sets

Technical drawing





Applications

Prosilica GX2750 is ideal for a wide range of applications including:

- Industrial inspection
- Machine vision
- LCD panel inspection
- Medical imaging
- Ophthalmology
- Aeronautical and aerospace
- Public security
- Surveillance
- Traffic imaging
- OEM applications
- Other machine vision applications