

Prosilica GX

1920



- 240 MBps with dual port LAG technology
- 3-axis motorized lens control
- 40 fps at full resolution
- Sony ICX674 sensor

Description

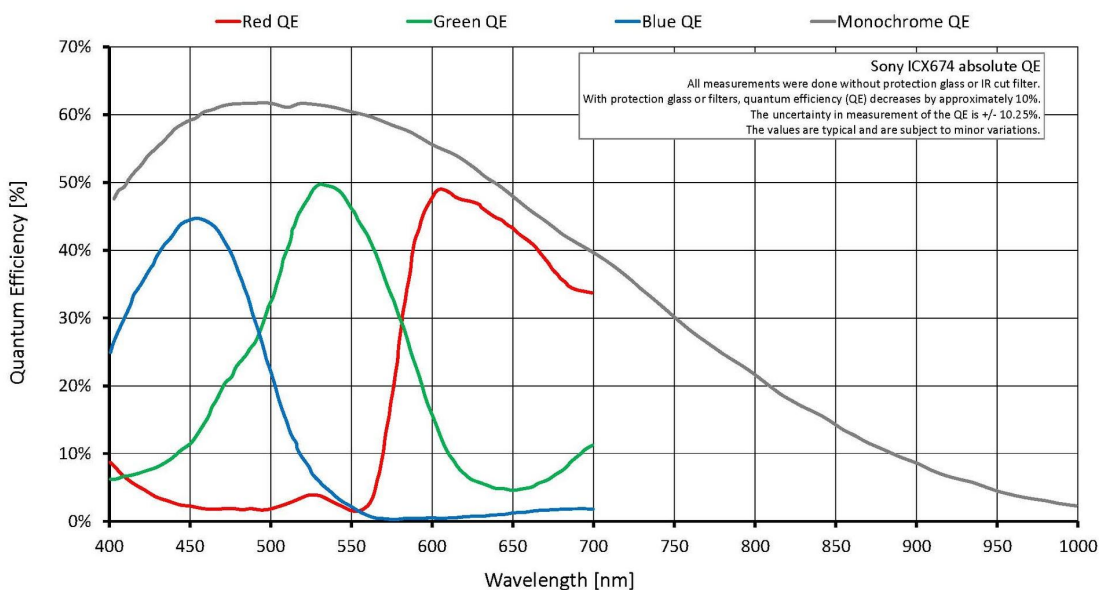
GigE Vision camera, Sony ICX674 CCD camera, 40 fps

Prosilica GX1920 is a high-resolution CCD camera with dual Gigabit Ethernet ports (GigE Vision®). This camera incorporates the Sony ICX674 CCD sensor. At full resolution, this camera has a frame rate of 40 frames per second. With a smaller region of interest higher frame rates are possible. This camera has two screw-captivated Gigabit Ethernet ports configured as a Link Aggregation Group (LAG) to provide a sustained maximum data rate of 240 MBps. It can also work at half the bandwidth (120 MBps) using a single cable. By default monochrome models ship with no optical filter and color models ship with an IRC30 IR cut filter.

Specifications

Prosilica GX	1920
インターフェイス	IEEE 802.3 1000baseT
解像度	1936 (H) × 1456 (V)
センサー	Sony ICX674
Sensor type	CCD Progressive
センサーサイズ	Type 2/3
ピクセルサイズ	4.54 μm × 4.54 μm
レンズマウント (標準搭載)	C-Mount
フレームレート (フル解像度)	40 fps
ADC	14 bit
Image buffer (RAM)	128 MByte
	Output
Bit depth	14 (monochrome); 12 (color) bit
ビデオフォーマット(Mono)	Mono8, Mono12, Mono12Packed, Mono14

Prosilica GX	1920
ビデオフォーマット(RGB)	RGB8Packed, BGR8Packed, RGBA8Packed, BGRA8Packed
ビデオフォーマット(Raw)	BayerRG8, BayerRG12, BayerGR12Packed
General purpose inputs/outputs (GPIOs)	
Opto-isolated I/Os	2 inputs, 4 outputs
RS232	1
Operating conditions/dimensions	
Operating temperature	0 °C to +50 °C ambient (without condensation)
Power requirements (DC)	10 to 24 VDC
消費電力	5.3 W at 12 VDC (Single GigE Mode); 6.2 W at 12 VDC (Dual GigE Mode)
Mass	269 g
Body dimensions (L × W × H in mm)	108.1 × 53.3 × 33 (including connectors)
Regulations	CE: 2014/30/EU (EMC), 2011/65/EU, including amendment 2015/863/EU (RoHS); FCC Class A; CAN ICES-003



Features

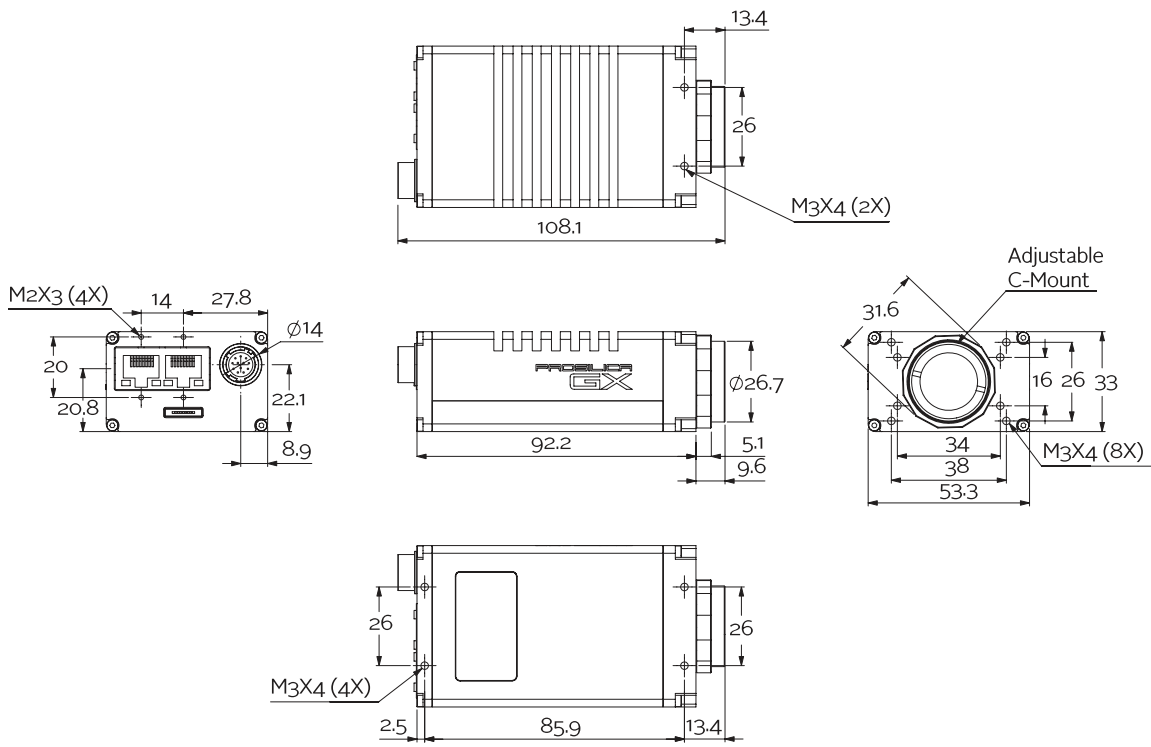
Prosilica GX1920 features include:

- 3-axis motorized lens control
- Video-type auto iris



- Region of interest (ROI), DSP subregion (selectable ROI for auto features)
- Binning (Sum)
- Auto gain (manual gain control: 0 to 24 dB)
- Auto exposure (manual exposure controls: 10 μ s to 26.8 s)
- Auto white balance
- StreamBytesPerSecond (bandwidth control)
- Stream hold
- Sync out modes: Trigger ready, input, exposing, readout, imaging, strobe, GPO
- Global shutter (digital shutter)
- Recorder and Multiframe acquisition modes
- Event channel
- Chunk data
- Storable user sets

Technical drawing





Applications

Prosilica GX1920 is ideal for a wide range of applications including:

- Industrial inspection
- Machine vision
- LCD panel inspection
- Medical imaging
- Ophthalmology
- Aeronautical and aerospace
- Public security
- Surveillance
- Traffic imaging
- OEM applications