

Prosilica GS 650



- Right-angle CCD camera with low height profile
- High frame rate
- Video-type auto iris
- Landscape or portrait sensor orientation

Description

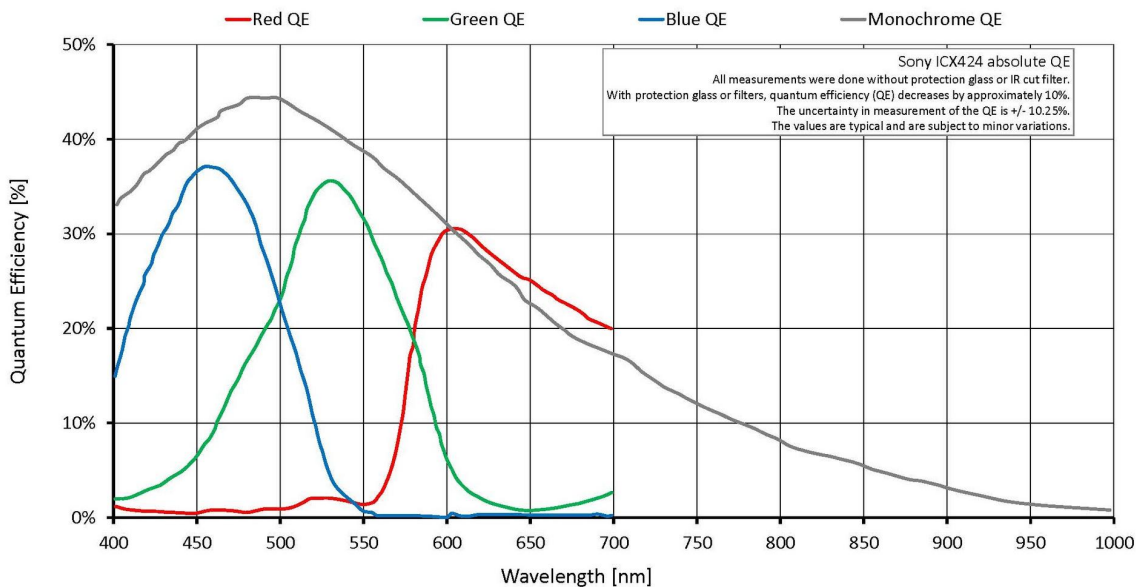
90-degree GigE Vision camera, VGA resolution, 120 frames per second

Prosilica GS650 is a fast, VGA resolution, high-performance machine vision camera with Gigabit Ethernet interface. The Sony ICX424 CCD sensor has excellent image quality and sensitivity. This camera is available in landscape or portrait orientation. At full resolution, this camera has a frame rate of 120 frames per second. With a smaller region of interest higher frame rates are possible. By default monochrome models ship with no optical filter and color models ship with an IRC30 IR cut filter.

Specifications

Prosilica GS	650
インターフェイス	IEEE 802.3 1000baseT
解像度	659 (H) × 493 (V)
センサー	Sony ICX424
Sensor type	CCD Progressive
センサーサイズ	Type 1/3
ピクセルサイズ	7.4 μm × 7.4 μm
レンズマウント (標準搭載)	C-Mount
フレームレート (フル解像度)	120 fps
ADC	14 bit
Image buffer (RAM)	16 MByte
	Output
Bit depth	8/12 bit
ビデオフォーマット(Mono)	Mono8, Mono12, Mono12Packed

Prosilica GS	650
ビデオフォーマット(YUV)	YUV411Packed, YUV422Packed, YUV444Packed
ビデオフォーマット(RGB)	RGB8Packed, BGR8Packed
ビデオフォーマット(Raw)	BayerRG8, BayerRG12, BayerGR12Packed
General purpose inputs/outputs (GPIOs)	
TTL I/Os	1 input, 1 output
Opto-isolated I/Os	1 input, 1 output
RS232	1
Operating conditions/dimensions	
Operating temperature	0 °C to +70 °C ambient (without condensation)
Power requirements (DC)	5 to 25 VDC
消費電力	3 W at 12 VDC
Mass	184 g
Body dimensions (L × W × H in mm)	96 × 56 × 26 (including connectors)
Regulations	CE: 2014/30/EU (EMC), 2011/65/EU, including amendment 2015/863/EU (RoHS); FCC Class A



Features

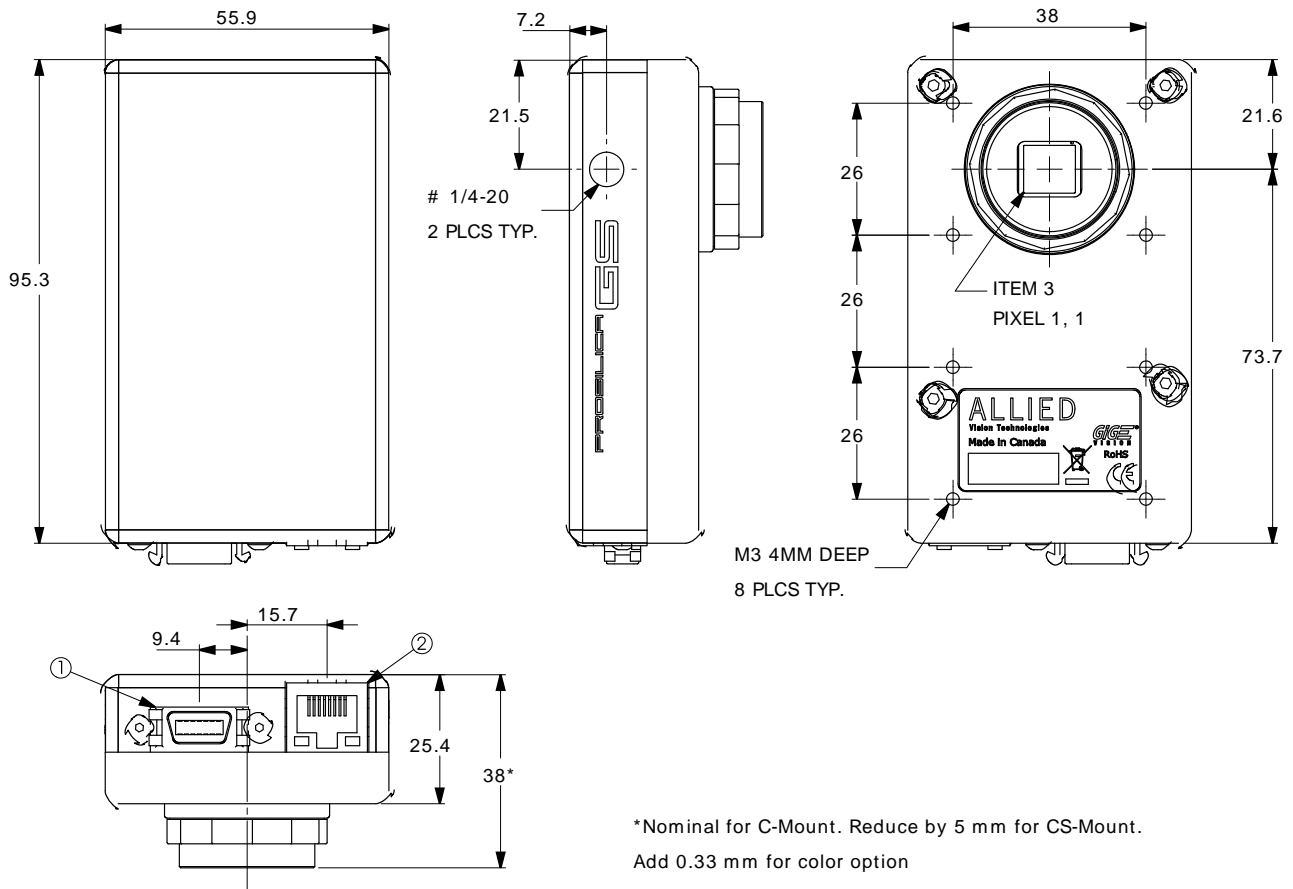
Prosilica GS650 features include:

- Auto-iris (video type)
- Region of interest (ROI), DSP subregion (selectable ROI for auto features)
- Binning (Sum)



- Auto gain (manual gain control: 0 to 30 dB)
- Auto exposure (manual exposure controls: 10 μ s to 78.5 s)
- Auto white balance
- StreamBytesPerSecond (bandwidth control)
- Stream hold
- Sync out modes: Trigger ready, input, exposing, readout, imaging, strobe, GPO
- Global shutter (digital shutter)
- Recorder and Multiframe acquisition modes
- Event channel
- Image chunk data
- Storable user sets

Technical drawing





Applications

Prosilica GS650 is ideal for a wide range of applications including:

- Machine vision
- Industrial inspection
- Public security
- Traffic monitoring
- Microscopy