

Prosilica GE 680



- High frame rate
- ON Semi KAI-0340 sensor
- Galvanically isolated I/O
- Various lens mount options

Description

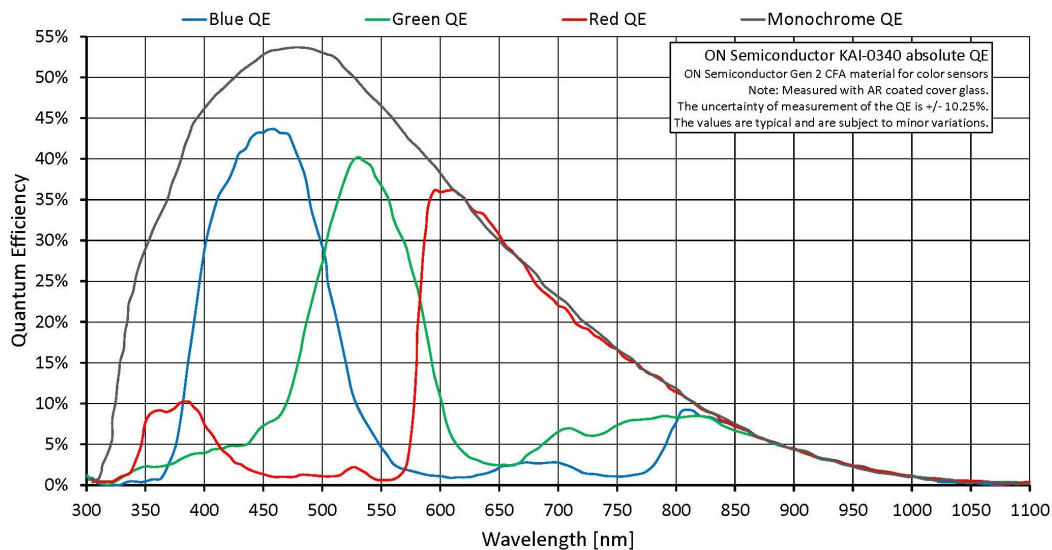
Fast CCD camera with Gigabit Ethernet interface, 205 frames per second

Prosilica GE680 is a very fast, VGA resolution (0.3 Megapixel), high-performance machine vision camera with a Gigabit Ethernet interface (GigE Vision®). The ON Semiconductor CCD sensor is suitable for applications where speed and good sensitivity are required. At full resolution, this camera has a frame rate of 205 frames per second. With a smaller region of interest higher frame rates are possible. By default monochrome models ship with no optical filter and color models ship with an IRC30 IR cut filter.

Specifications

Prosilica GE	680
インターフェイス	IEEE 802.3 1000baseT
解像度	640 (H) × 480 (V)
センサー	ON Semi KAI-0340
Sensor type	CCD Progressive
センサーサイズ	Type 1/3
ピクセルサイズ	7.4 μm × 7.4 μm
レンズマウント (標準搭載)	C-Mount
フレームレート (フル解像度)	205 fps
ADC	12 bit
Image buffer (RAM)	32 MByte
	Output
Bit depth	8/12 bit
ビデオフォーマット(Mono)	Mono8, Mono12, Mono12Packed

Prosilica GE	680
ビデオフォーマット(YUV)	YUV411Packed
ビデオフォーマット(RGB)	RGB8Packed, BGR8Packed, RGBA8Packed, BGRA8Packed, RGB12Packed
ビデオフォーマット(Raw)	BayerGR8, BayerGR12, BayerGR12Packed
General purpose inputs/outputs (GPIOs)	
TTL I/Os	1 input, 3 outputs (with galvanic isolation)
RS232	1
Operating conditions/dimensions	
Operating temperature	0 °C to +50 °C ambient (without condensation)
Power requirements (DC)	5 to 24 VDC
消費電力	4.5 W at 12 VDC
Mass	169 g
Body dimensions (L × W × H in mm)	80 × 51 × 39 (including connectors)
Regulations	CE: 2014/30/EU (EMC), 2011/65/EU, including amendment 2015/863/EU (RoHS); FCC Class A



Features

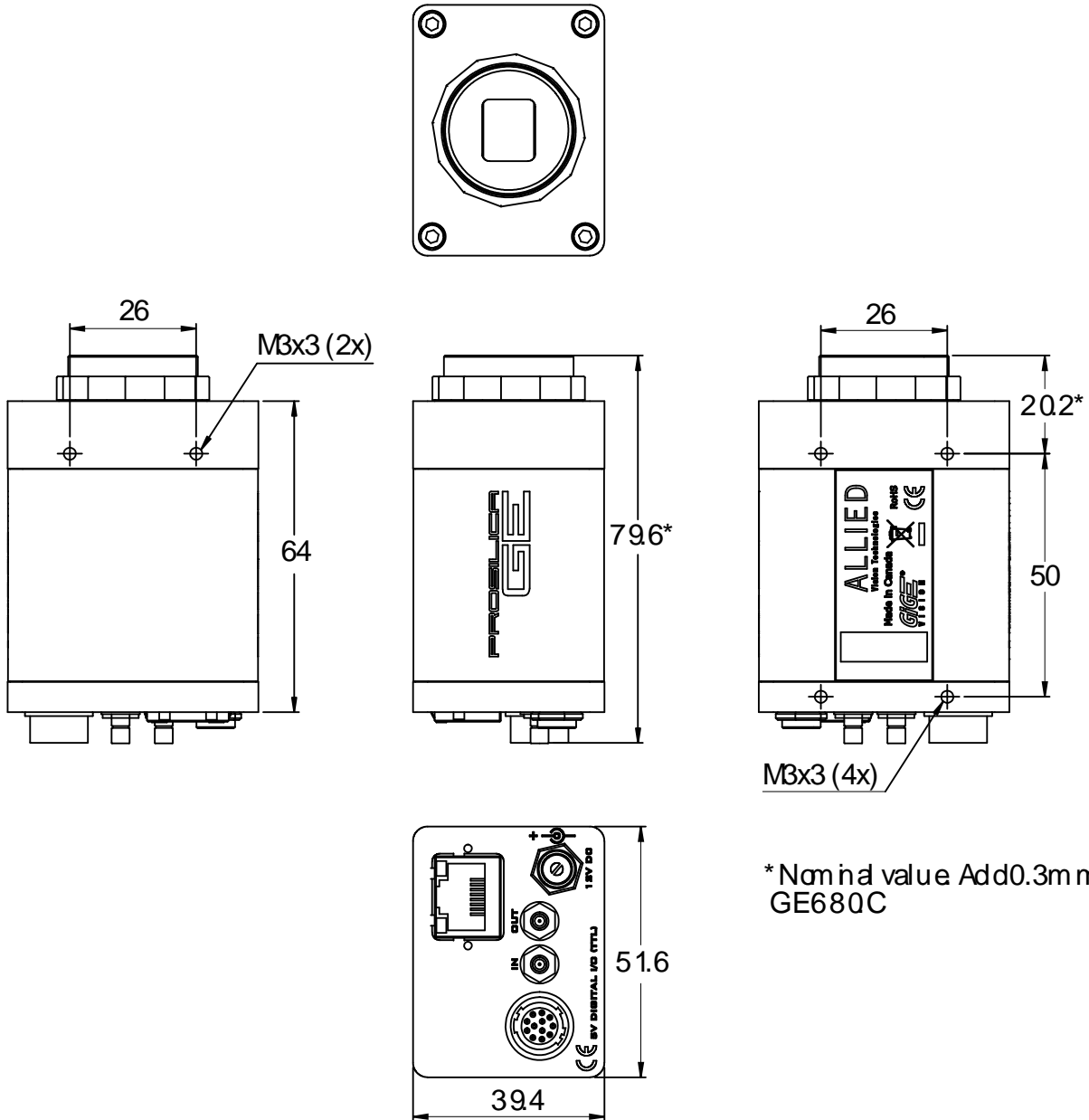
Prosilica GE680 incorporates an advanced set of camera features including:

- Region of interest (ROI), DSP subregion (selectable ROI for auto features)
- Binning (Sum)
- Auto gain (manual gain control: 0 to 34 dB)



- Auto exposure (manual exposure controls: 25 μ s to 53.7 s)
- Auto white balance
- StreamBytesPerSecond (bandwidth control)
- Stream hold
- Sync out modes: Trigger ready, input, exposing, readout, imaging, strobe, GPO
- Global shutter (digital shutter)
- Recorder and Multiframe acquisition modes
- Event channel
- Image chunk data
- Storable user sets

Technical drawing



* Nominal value Add 0.3mm for GE680C



Applications

Prosilica GE680 is ideal for a wide range of applications including:

- High-speed inspection
- Machine vision
- Optical character recognition
- Traffic imaging
- Robotics
- OEM applications