

Prosilica GE 1910



- 32 fps @ full resolution
- ON Semi KAI-02150 sensor
- Galvanically isolated I/O
- Various lens mount options

Description

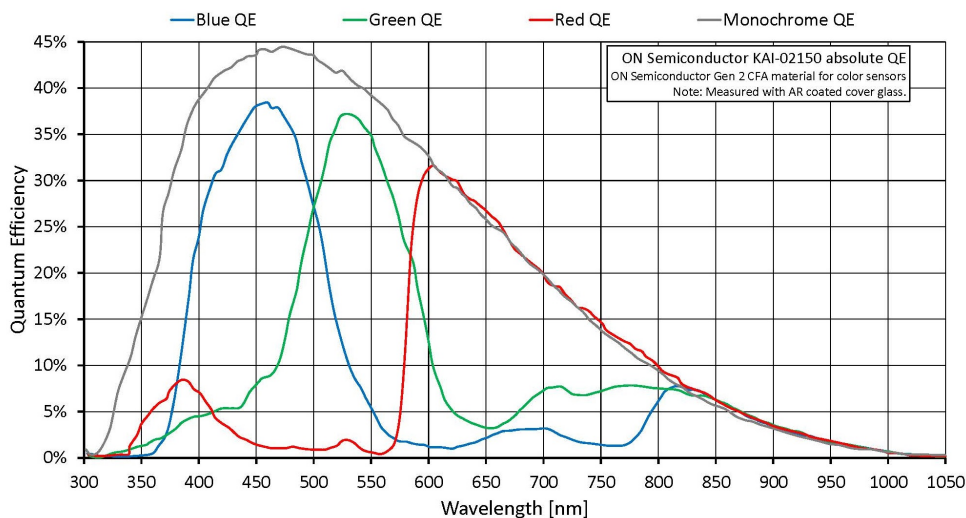
High Definition Resolution CCD camera with GigE Vision interface

Prosilica GE1910 is a CCD camera with a Gigabit Ethernet interface (GigE Vision®). This camera incorporates the ON Semiconductor KAI-02150 CCD sensor for excellent image quality in HD resolution (1080p). This camera runs 32 frames per second at full resolution. With a smaller region of interest, higher frame rates are possible. By default monochrome models ship with no optical filter and color models ship with an IRC30 IR cut filter.

Specifications

Prosilica GE	1910
インターフェイス	IEEE 802.3 1000baseT
解像度	1920 (H) × 1080 (V)
センサー	ON Semi KAI-02150
Sensor type	CCD Progressive
センサーサイズ	Type 2/3
ピクセルサイズ	5.5 μm × 5.5 μm
レンズマウント (標準搭載)	C-Mount
フレームレート (フル解像度)	32 fps
ADC	12 bit
Image buffer (RAM)	32 MByte
	Output
Bit depth	8/12 bit
ビデオフォーマット(Mono)	Mono8, Mono12, Mono12Packed
ビデオフォーマット(YUV)	YUV411Packed

Prosilica GE	1910
ビデオフォーマット(RGB)	RGB8Packed, BGR8Packed, RGBA8Packed, BGRA8Packed, RGB12Packed
ビデオフォーマット(Raw)	BayerGR8, BayerGR12, BayerGR12Packed
General purpose inputs/outputs (GPIOs)	
TTL I/Os	1 input, 3 outputs (with galvanic isolation)
RS232	1
Operating conditions/dimensions	
Operating temperature	0 °C to +50 °C ambient (without condensation)
Power requirements (DC)	5 to 24 VDC
消費電力	5 W at 12 VDC
Mass	178 g
Body dimensions (L × W × H in mm)	80 × 51 × 39 (including connectors)
Regulations	2011/65/EU, including amendment 2015/863/EU (RoHS)



Features

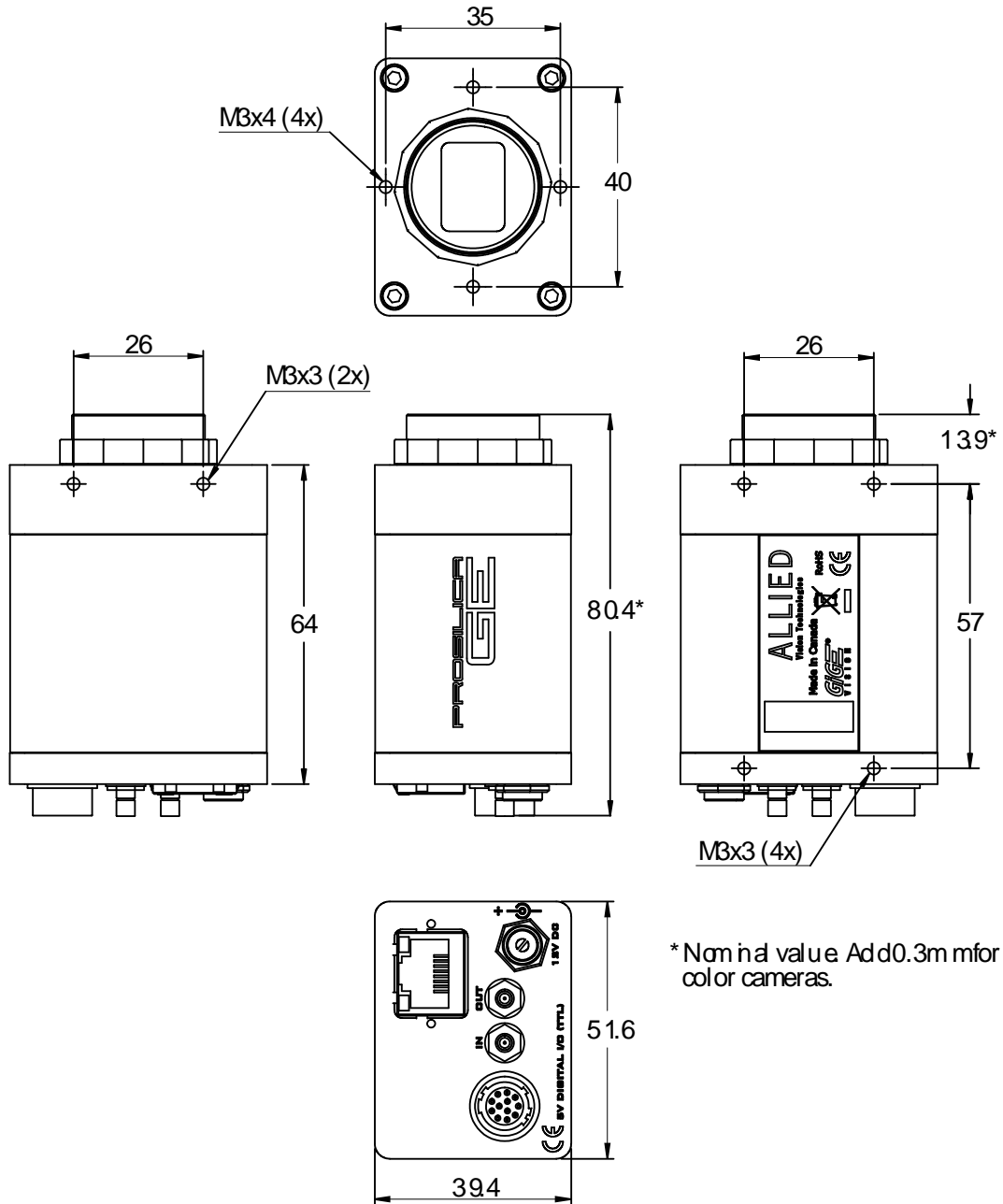
Prosilica GE1910 features include:

- Region of interest (ROI), DSP subregion (selectable ROI for auto features)
- Binning (Sum)
- Auto gain (manual gain control: 0 to 34 dB)
- Auto exposure (manual exposure controls: 10 μ s to 53.7 s)



- Auto white balance
- StreamBytesPerSecond (bandwidth control)
- Stream hold
- Sync out modes: Trigger ready, input, exposing, readout, imaging, strobe, GPO
- Global shutter (digital shutter)
- Recorder and Multiframe acquisition modes
- Event channel
- Chunk data
- Storable user sets

Technical drawing



* Nominal value Add 0.3mm for color cameras.



Applications

Prosilica GE1910 is ideal for a wide range of applications including:

- Industrial inspection
- Machine vision
- LCD panel inspection
- Medical imaging
- Ophthalmology
- Aeronautical and aerospace
- Public security
- Surveillance
- Traffic imaging
- OEM applications