

Prosilica GE 1050



- 59 fps @ full resolution
- ON Semi KAI-01050 sensor
- Galvanically isolated I/O
- Various lens mount options

Description

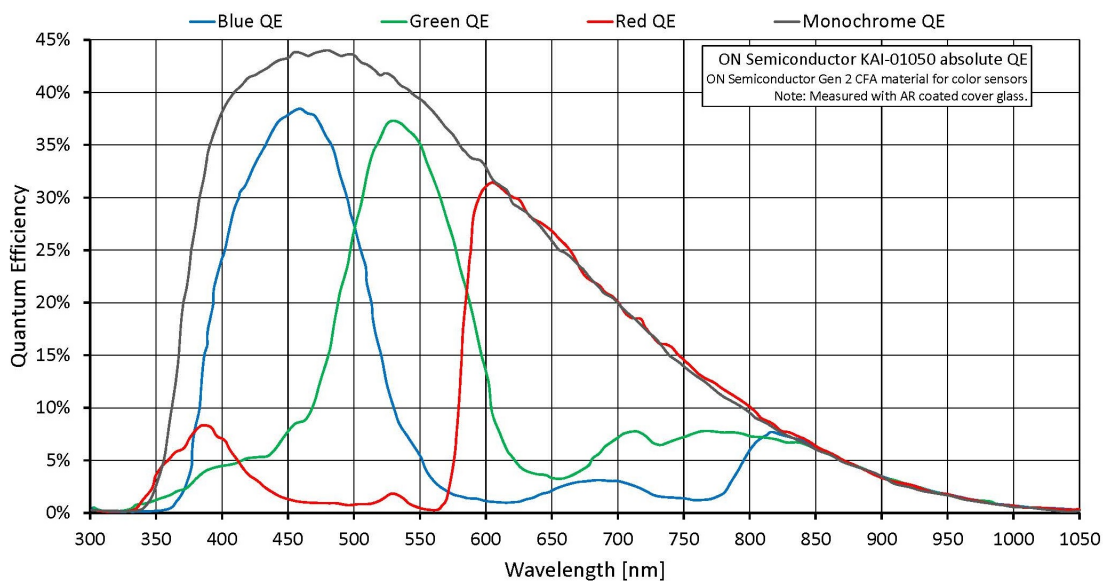
Fast 1.0 Megapixel ON Semi KAI-01050 CCD camera, 59 frames per second

Prosilica GE1050 is a fast CCD camera with Gigabit Ethernet interface (GigE Vision®). It incorporates the ON Semiconductor KAI-01050 CCD sensor that runs just under 59 frames per second at full resolution and even faster with region of interest readout. By default monochrome models ship with no optical filter and color models ship with an IRC30 IR cut filter.

Specifications

Prosilica GE	1050
インターフェイス	IEEE 802.3 1000baseT
解像度	1024 (H) × 1024 (V)
センサー	ON Semi KAI-01050
Sensor type	CCD Progressive
センサーサイズ	Type 1/2
ピクセルサイズ	5.5 μm × 5.5 μm
レンズマウント (標準搭載)	C-Mount
フレームレート (フル解像度)	59 fps
ADC	12 bit
Image buffer (RAM)	32 MByte
	Output
Bit depth	8/12 bit
ビデオフォーマット(Mono)	Mono8, Mono12, Mono12Packed
ビデオフォーマット(YUV)	YUV411Packed

Prosilica GE	1050
ビデオフォーマット(RGB)	RGB8Packed, BGR8Packed, RGBA8Packed, BGRA8Packed, RGB12Packed
ビデオフォーマット(Raw)	BayerGR8, BayerGR12, BayerGR12Packed
General purpose inputs/outputs (GPIOs)	
TTL I/Os	1 input, 3 outputs (with galvanic isolation)
RS232	1
Operating conditions/dimensions	
Operating temperature	0 °C to +50 °C ambient (without condensation)
Power requirements (DC)	5 to 24 VDC
消費電力	5 W at 12 VDC
Mass	178 g
Body dimensions (L × W × H in mm)	80 × 51 × 39 (including connectors)
Regulations	2011/65/EU, including amendment 2015/863/EU (RoHS)



Features

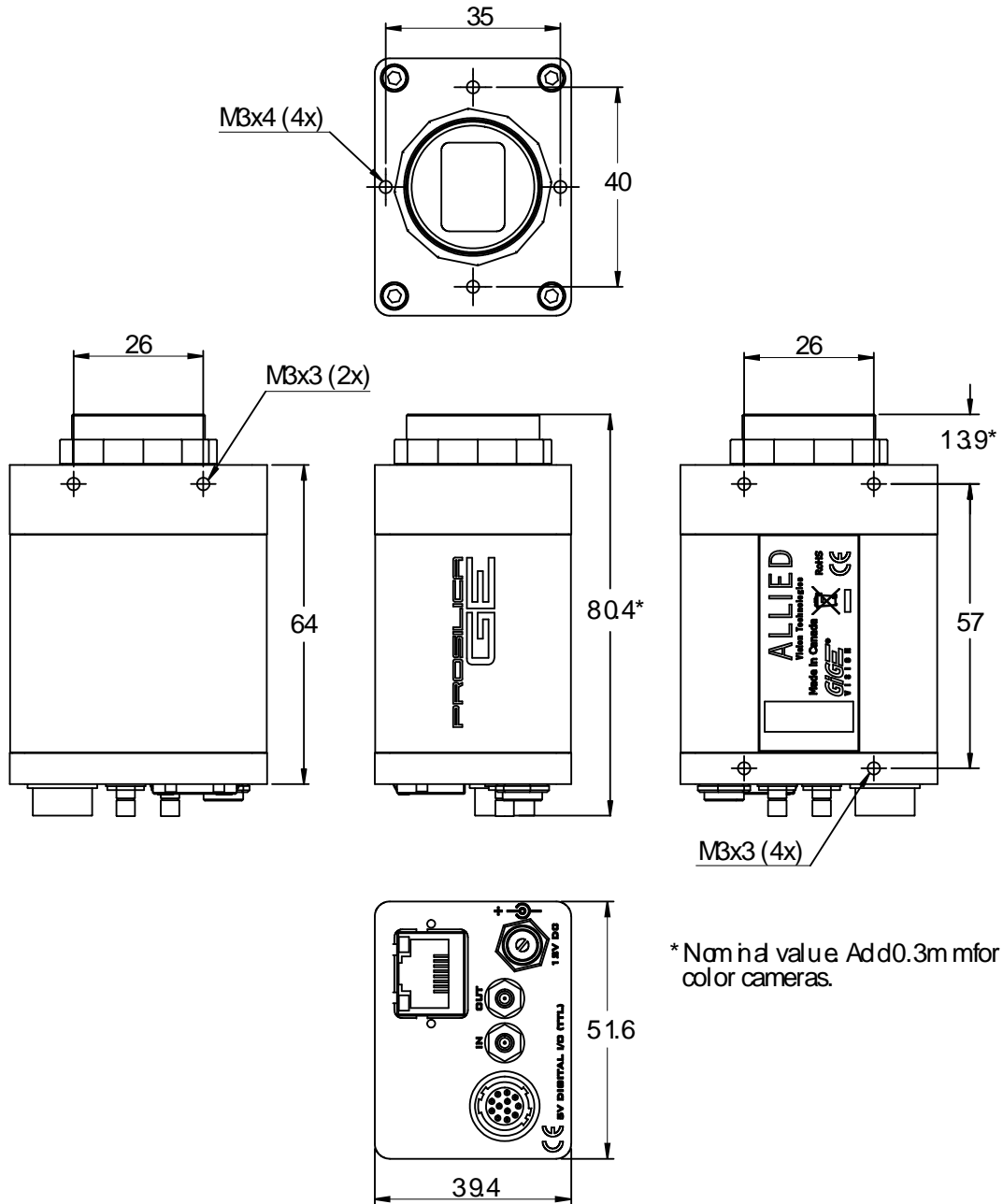
Prosilica GE1050 features include:

- Region of interest (ROI), DSP subregion (selectable ROI for auto features)
- Binning (Sum)
- Auto gain (manual gain control: 0 to 34 dB)
- Auto exposure (manual exposure controls: 10 μ s to 53.7 s)



- Auto white balance
- StreamBytesPerSecond (bandwidth control)
- Stream hold
- Sync out modes: Trigger ready, input, exposing, readout, imaging, strobe, GPO
- Global shutter (digital shutter)
- Recorder and Multiframe acquisition modes
- Event channel
- Image chunk data
- Storable user sets

Technical drawing



* Nominal value Add 0.3mm for color cameras.



Applications

Prosilica GE1050 is ideal for a wide range of applications including:

- Industrial inspection
- Machine vision
- Medical imaging
- Public security
- Surveillance
- Traffic imaging
- OEM applications