

Prosilica GC 750



- ON Semiconductor MT9V022 sensor
- 67 fps @ full resolution
- Rugged housing
- Video-type auto iris

Description

Low cost Gigabit Ethernet camera, 67 frames per second

Prosilica GC750 is an ultra-compact, economically priced, machine vision camera with a GigE Vision compliant Gigabit Ethernet interface. The ON Semiconductor (Aptina) MT9V022 CMOS sensor is suitable for applications where excellent near-infrared sensitivity and resistance to blooming are required. At full resolution, this camera has a frame rate of 67 frames per second. With a smaller region of interest higher frame rates are possible. By default monochrome models ship with no optical filter and color models ship with an IRC30 IR cut filter.

Options:

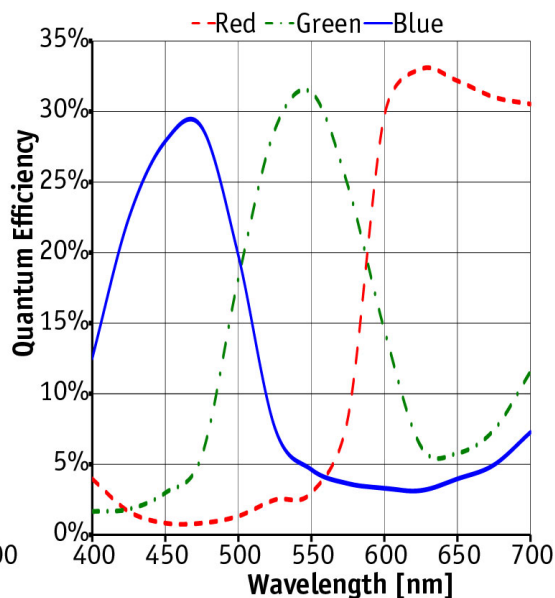
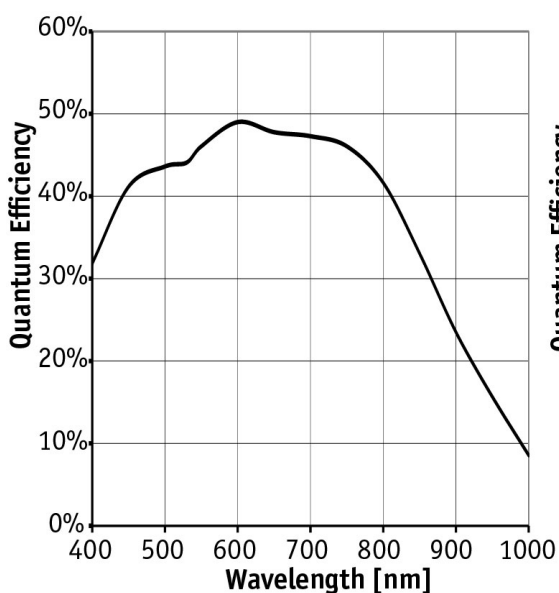
- CS-Mount
- Optical filters (IR cut filter/Protection glass)

See the [Modular Concept](#) for lens mount and optical filter options.

Specifications

Prosilica GC	750
インターフェイス	IEEE 802.3 1000baseT
解像度	752 (H) × 480 (V)
センサー	ON Semi MT9V022
Sensor type	CMOS
センサーサイズ	Type 1/3
ピクセルサイズ	6 μm x 6 μm
レンズマウント (標準搭載)	C-Mount
フレームレート (フル解像度)	67 fps

Prosilica GC	750
ADC	10 bit
Image buffer (RAM)	16 MByte
Output	
Bit depth	8/10 bit
ビデオフォーマット(Mono)	Mono8, Mono10
ビデオフォーマット(RGB)	RGB8Packed, BGR8Packed, RGBA8Packed, BGRA8Packed
ビデオフォーマット(Raw)	BayerBG8, BayerBG10
General purpose inputs/outputs (GPIOs)	
TTL I/Os	1 input, 1 output
Opto-isolated I/Os	1 input, 1 output
RS232	1
Operating conditions/dimensions	
Operating temperature	0 °C to +50 °C ambient (without condensation)
Power requirements (DC)	5 to 25 VDC
消費電力	2.2 W at 12 VDC
Mass	85 g
Body dimensions (L × W × H in mm)	51 × 46 × 33 (including connectors)
Regulations	CE: 2014/30/EU (EMC), 2011/65/EU, including amendment 2015/863/EU (RoHS); FCC Class A; CAN ICES-003





Features

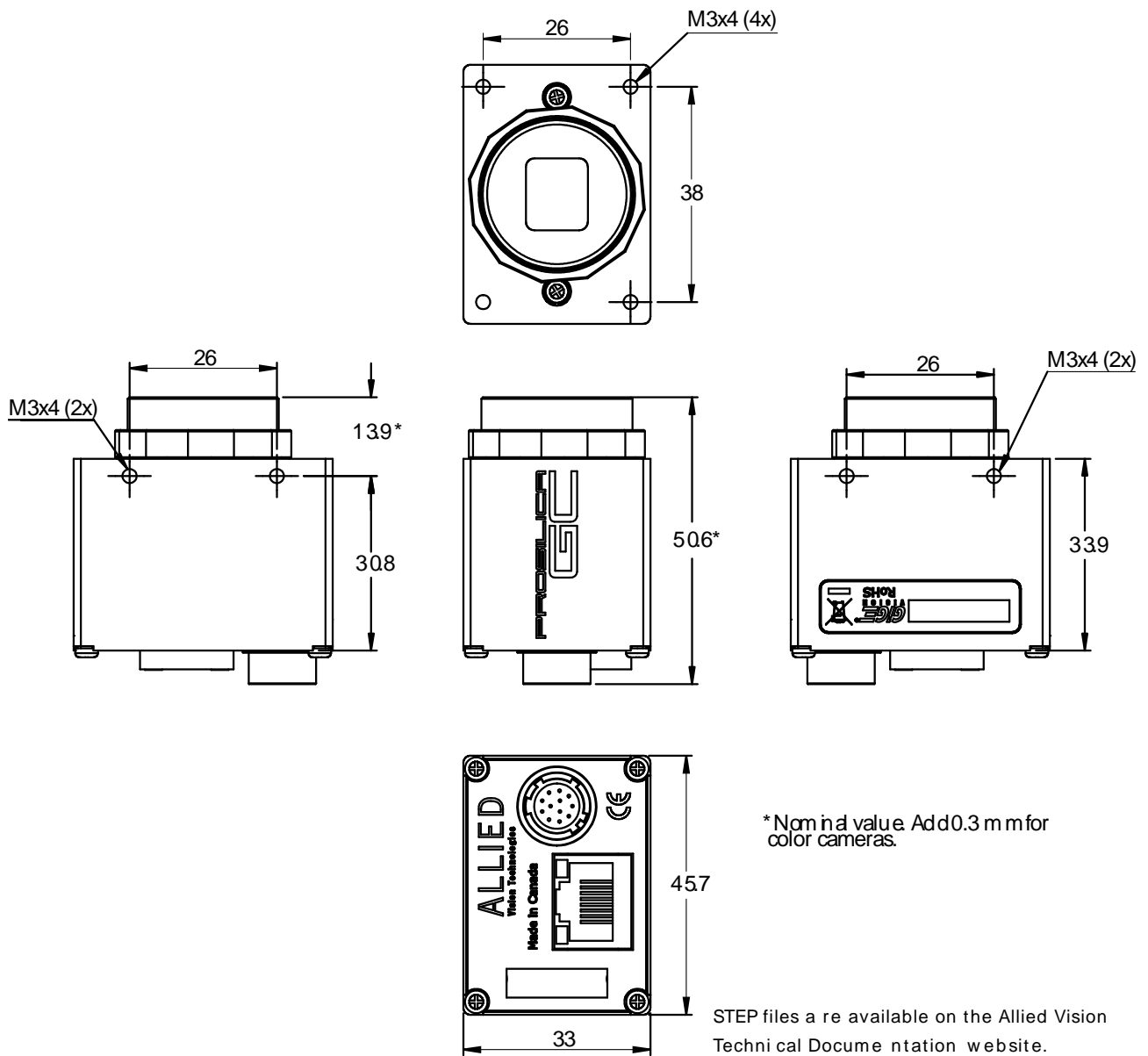
Image optimization features:

- Auto gain (manual gain control: 0 to 48 dB)
- Auto exposure (manual exposure control: 30 μ s to 60 s @ 1 μ s increments)
- Auto white balance
- Region of interest (ROI), DSP subregion (selectable ROI for auto features)

Camera control features:

- Auto-iris (video type)
- Event channel
- Global shutter (digital shutter)
- IEEE 1588 Precision Time Protocol (PTP)
- Image chunk data
- Recorder and Multiframe acquisition modes
- RS232
- Five storable user sets
- StreamBytesPerSecond (bandwidth control)
- Stream hold
- Sync out modes: Trigger ready, input, exposing, readout, imaging, strobe, GPO

Technical drawing





Applications

Prosilica GC750 is ideal for a wide range of applications including:

- High-speed inspection
- Machine vision
- Optical character recognition
- Traffic imaging
- Robotics
- OEM applications