



Pike F-210



- Versatile IEEE 1394b camera
- Advanced feature set
- Many variants
- High frame rates

Description

HDTV camera with video frame rate - 2 Megapixels

The Pike F-210B is equipped with an ON Semiconductor KAI-2093 CCD sensor, and it features smart real-time functions. At full resolution, it runs up to 31 frames per second. Higher frame rates can be reached by using a smaller area of interest (AOI), binning (b/w), or sub-sampling. By default monochrome models ship with protection glass B 270.

Options:

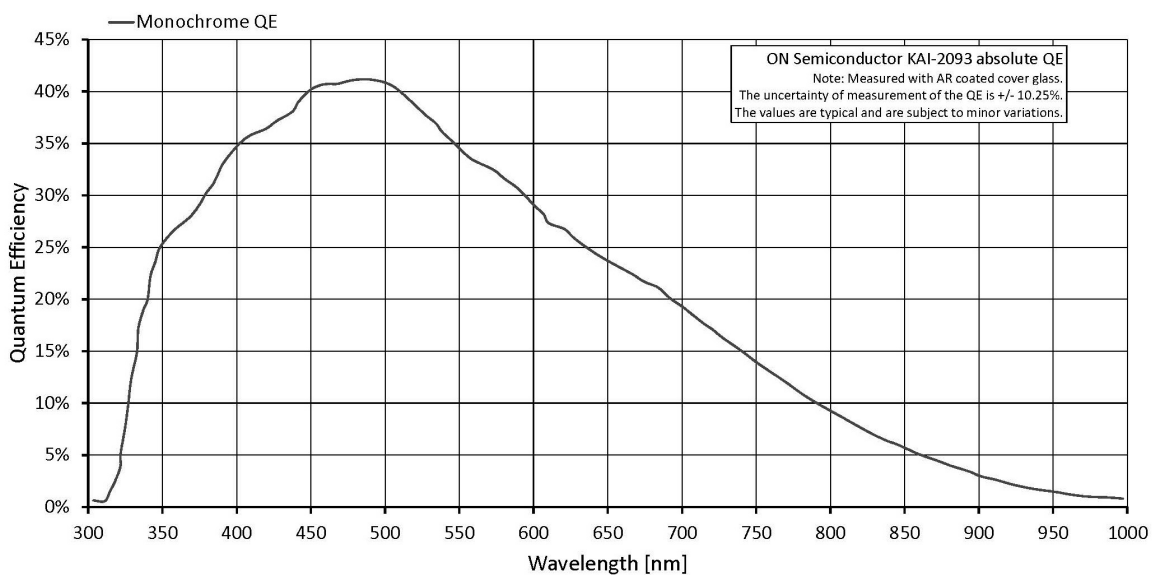
- IEEE 1394b connectors: 2 x copper (daisy chain) or 1 x GOF, 1 x copper, Hirose power: out
- Various IR cut/pass filters, various lens mounts
- Angled head, white medical housing

Specifications

Pike	F-210
インターフェイス	IEEE 1394b - 800 Mb/s, 2 ports, daisy chain, fiber optic (GOF) optional
解像度	1920 (H) × 1080 (V)
センサー	ON Semi KAI-2093
Sensor type	CCD Progressive
センサーサイズ	Type 1
ピクセルサイズ	7.4 μm × 7.4 μm
レンズマウント (標準搭載)	C-Mount
フレームレート (フル解像度)	31 fps
ADC	14 bit
Image buffer (RAM)	64 MByte

Output

Pike	F-210
Bit depth	8-14 bit
ビデオフォーマット(Mono)	Mono8, Mono12, Mono16
General purpose inputs/outputs (GPIOs)	
Opto-isolated I/Os	2 inputs, 4 outputs
RS232	1
Operating conditions/dimensions	
Operating temperature	+5 °C to +50 °C
Power requirements (DC)	8 V to 36 V
消費電力	4 W (@ 12 VDC)
Mass	250 g
Body dimensions (L × W × H in mm)	96.8 × 44 × 44 (including connectors)
Regulations	CE: 2014/30/EU (EMC), 2011/65/EU (RoHS); FCC Class B



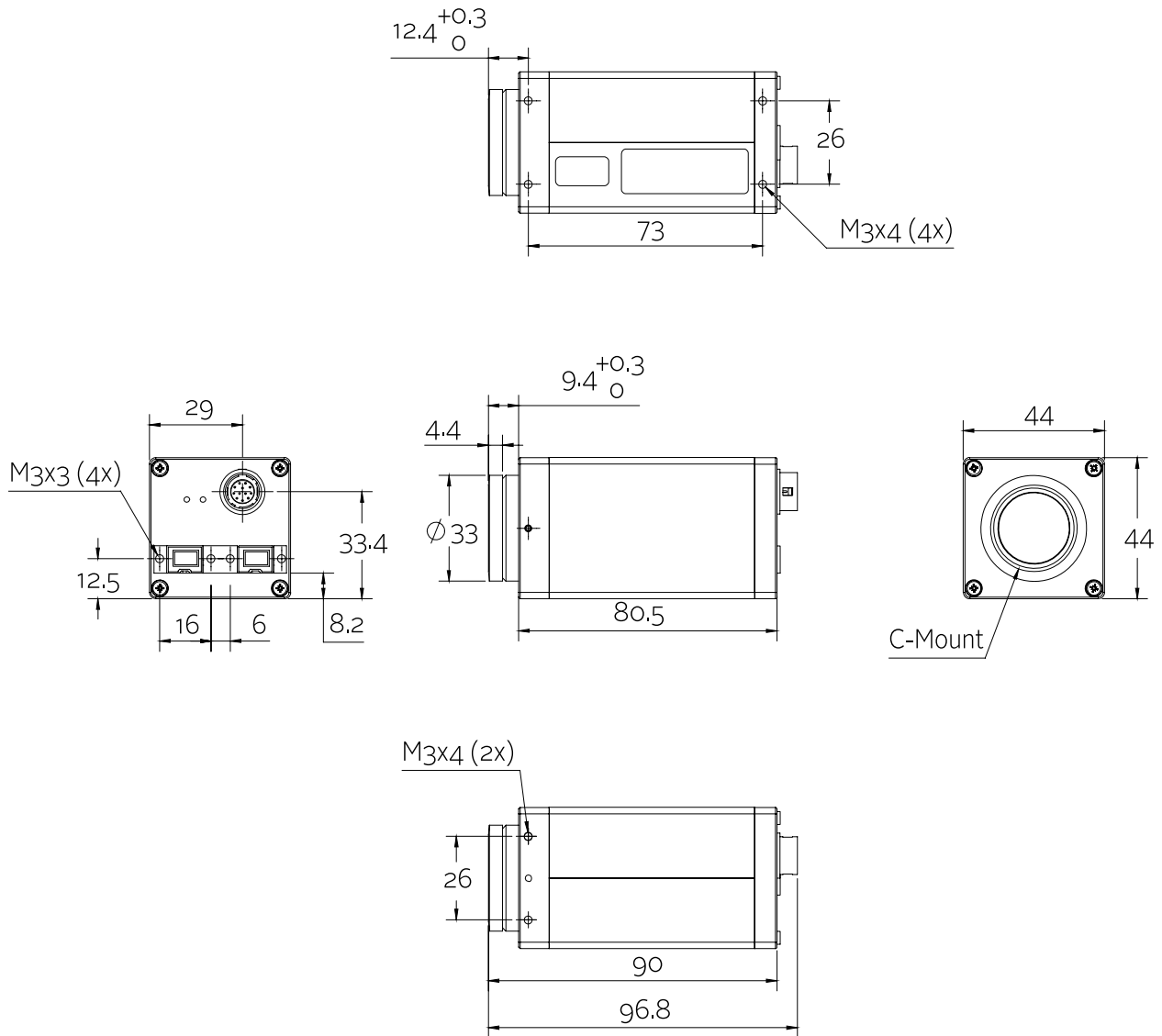
Features

- High SNR mode (up to 24 dB better signal-to-noise ratio)
- Low-noise binning mode
- Smear reduction
- Shading correction
- Area of interest (AOI), separate AOI for auto features
- Binning
- Decimation



- Auto gain (manual gain control: 0 to 22 dB)
- Auto exposure (43 μ s to 67 s)
- Look-up table (LUT)
- Reverse X
- Deferred image transport
- Trigger programmable, level, single, bulk, programmable delay
- Sequence mode (changes the camera settings on the fly)
- SIS (secure image signature, time stamp for trigger, frame count)
- Storable user sets

Technical drawing





Applications

The Pike F-210B suits for applications which require the highest quality in HDTV resolution (1920 x 1080) at video frame rates. Besides the excellent image quality, its flexibility makes it suitable for many applications. The fiber version supports cable lengths of 400 meters and even more without any additional repeaters.

Pike cameras are especially suited for:

- Entertainment, movie pre-production, video recording
- OEM applications (modular concept)
- Motion studies
- Science and research
- Healthcare and sports
- Event documentation
- Intelligent traffic solutions (ITS)
- Long cable lengths, 400 meters and more (fiber version)