



Pike F-1100



- Versatile IEEE 1394b camera
- Advanced feature set
- Many variants
- High frame rates

11 Megapixel premium camera – 35 mm CCD sensor ON Semiconductor KAI-11002

The Pike F-1100B/F-1100C is an 11 Megapixel IEEE 1394b camera with excellent image quality. It can be operated in either single tap or dual tap mode. At full resolution, it runs up to 4.9 frames per second (dual tap). Higher frame rates can be reached by using a smaller area of interest (AOI), binning (b/w), or sub-sampling.

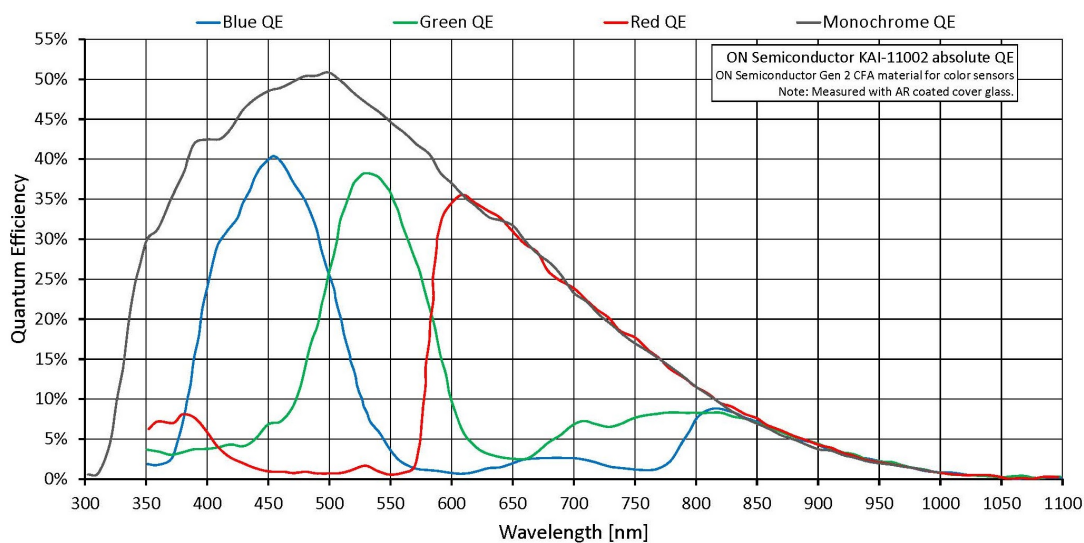
Options:

- IEEE 1394b connectors: 2 x copper (daisy chain) or 1 x GOF, 1 x copper, Hirose power: out
- Various IR cut/pass filters, various lens mounts
- Angled head, white medical housing

Specifications

Pike	F-1100
インターフェイス	IEEE 1394b - 800 Mb/s, 2 ports, daisy chain, fiber optic (GOF) optional
解像度	4008 (H) × 2672 (V)
センサー	ON Semi KAI-11002
Sensor type	CCD Progressive
センサーサイズ	Type 35 mm
ピクセルサイズ	9 μm × 9 μm
レンズマウント (標準搭載)	F-Mount
フレームレート (フル解像度)	5 fps
ADC	14 bit
Image buffer (RAM)	256 MByte
	Output
Bit depth	8-14 Bit
ビデオフォーマット(Mono)	Mono8, Mono12, Mono16

Pike	F-1100
ビデオフォーマット(RGB)	RGB8
ビデオフォーマット(Raw)	Raw8, Raw12, Raw16
General purpose inputs/outputs (GPIOs)	
Opto-isolated I/Os	2 inputs, 4 outputs
RS232	1
Operating conditions/dimensions	
Operating temperature	+5 °C to +50 °C
Power requirements (DC)	8 V to 36 V
消費電力	4 W (@ 12 VDC)
Mass	380 g
Body dimensions (L × W × H in mm)	142.8 × 59 × 59 (including connectors)
Regulations	CE: 2014/30/EU (EMC), 2011/65/EU, including amendment 2015/863/EU (RoHS); FCC Class B

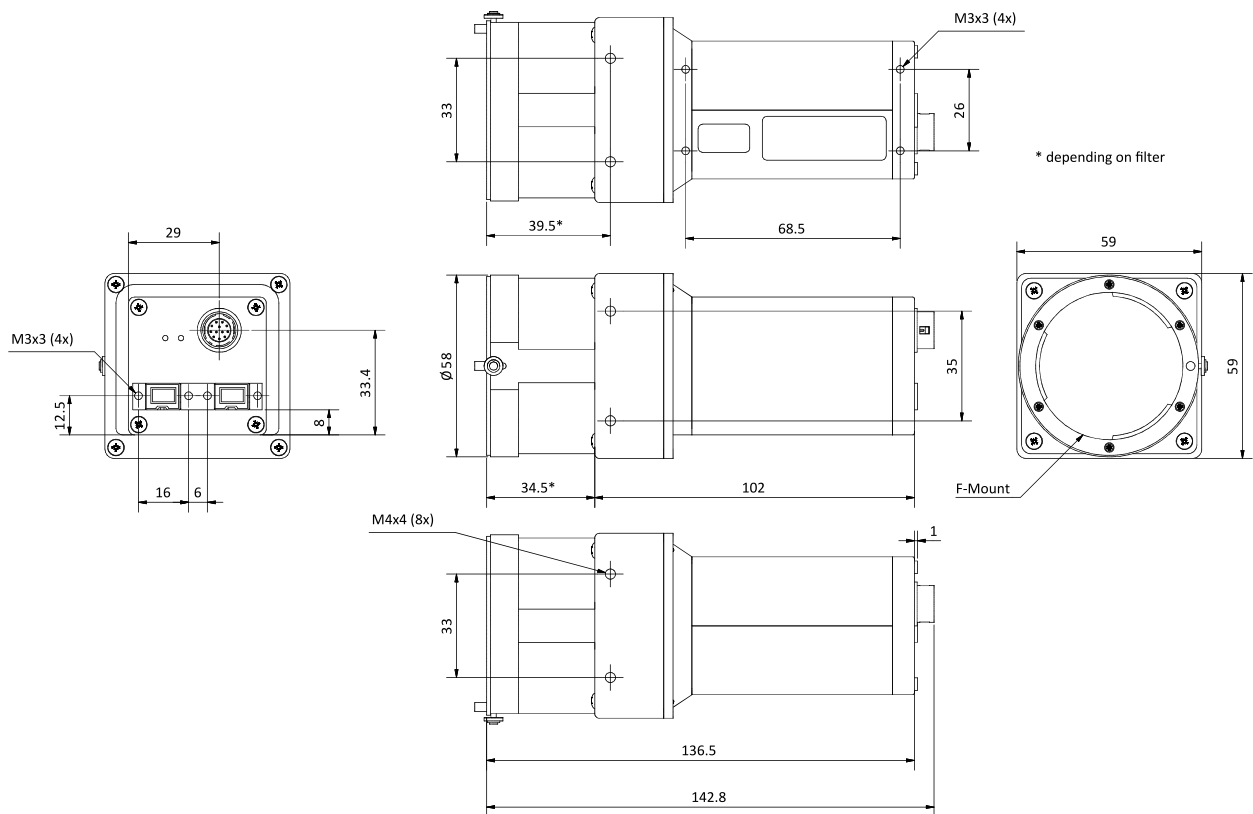


Features

- High SNR mode (up to 24 dB better signal-to-noise ratio)
- Low-noise binning mode
- Smear reduction
- Shading correction
- Defect pixel correction
- Area of interest (AOI), separate AOI for auto features
- Binning

- Decimation
- Auto gain (manual gain control: 0 to 24 dB)
- Auto exposure (129 μ s to 67 s)
- Auto white balance
- Look-up table (LUT)
- Hue, saturation, color correction
- Reverse X
- Deferred image transport
- Trigger programmable, level, single, bulk, programmable delay
- Sequence mode (changes the camera settings on the fly)
- SIS (secure image signature, time stamp for trigger, frame count)
- Storable user sets

Technical drawing





Applications

The Pike F-1100B/F-1100C is ideal for high-precision applications. Its excellent image quality can be enhanced by numerous image pre-processing functions. It is also available with M42-Mount or with M58-Mount.

This camera is well-suited for:

- Science and research
- Metrology
- Document scanning (replaces DSLR cameras - no mechanical shutter, long life time)
- Healthcare and medical applications
- Industrial inspection at high resolutions
- Aerial imaging
- Very demanding OEM camera applications
- Intelligent traffic solutions (ITS)
- Long cables - 400 meters and more without additional repeaters (fiber version)