



Guppy F-503



- IEEE 1394a camera
- Lightweight
- Robust design
- Machine vision camera

Description

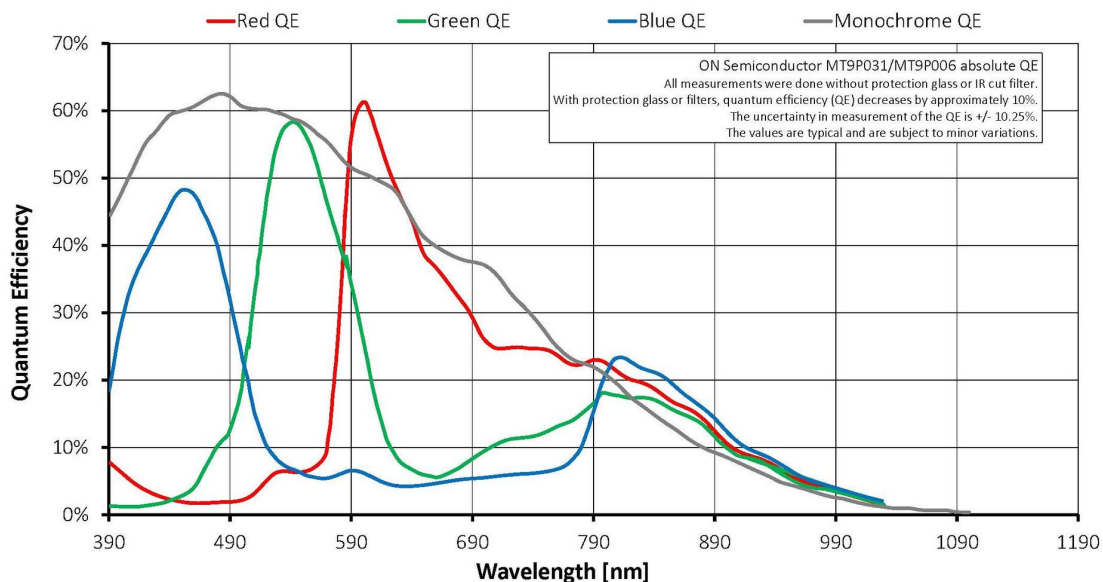
Very compact 5 Megapixel CMOS camera - attractive price - FireWire

The Guppy F-503B/F-503C is a very compact, economically priced camera with a CMOS sensor (no blooming). At full resolution, it runs up to 6.5 frames per second. Higher frame rates can be reached by a smaller area of interest (AOI), binning, or sub-sampling.

Specifications

Guppy	F-503
インターフェイス	IEEE 1394a - 400 Mb/s, 1 port
解像度	2592 (H) × 1944 (V)
センサー	ON Semi MT9P031
Sensor type	CMOS
センサーサイズ	Type 1/2.5
ピクセルサイズ	2.2 μm × 2.2 μm
レンズマウント (標準搭載)	C-Mount, CS-Mount
フレームレート (フル解像度)	6 fps
ADC	12 bit
Image buffer (RAM)	
	Output
Bit depth	8/12 bit
ビデオフォーマット(Mono)	Mono8, Mono12, Mono16
ビデオフォーマット(RGB)	n/a
ビデオフォーマット(Raw)	Raw8, Raw12, Raw16
	General purpose inputs/outputs (GPIOs)
TTL I/Os	1 input, 3 outputs

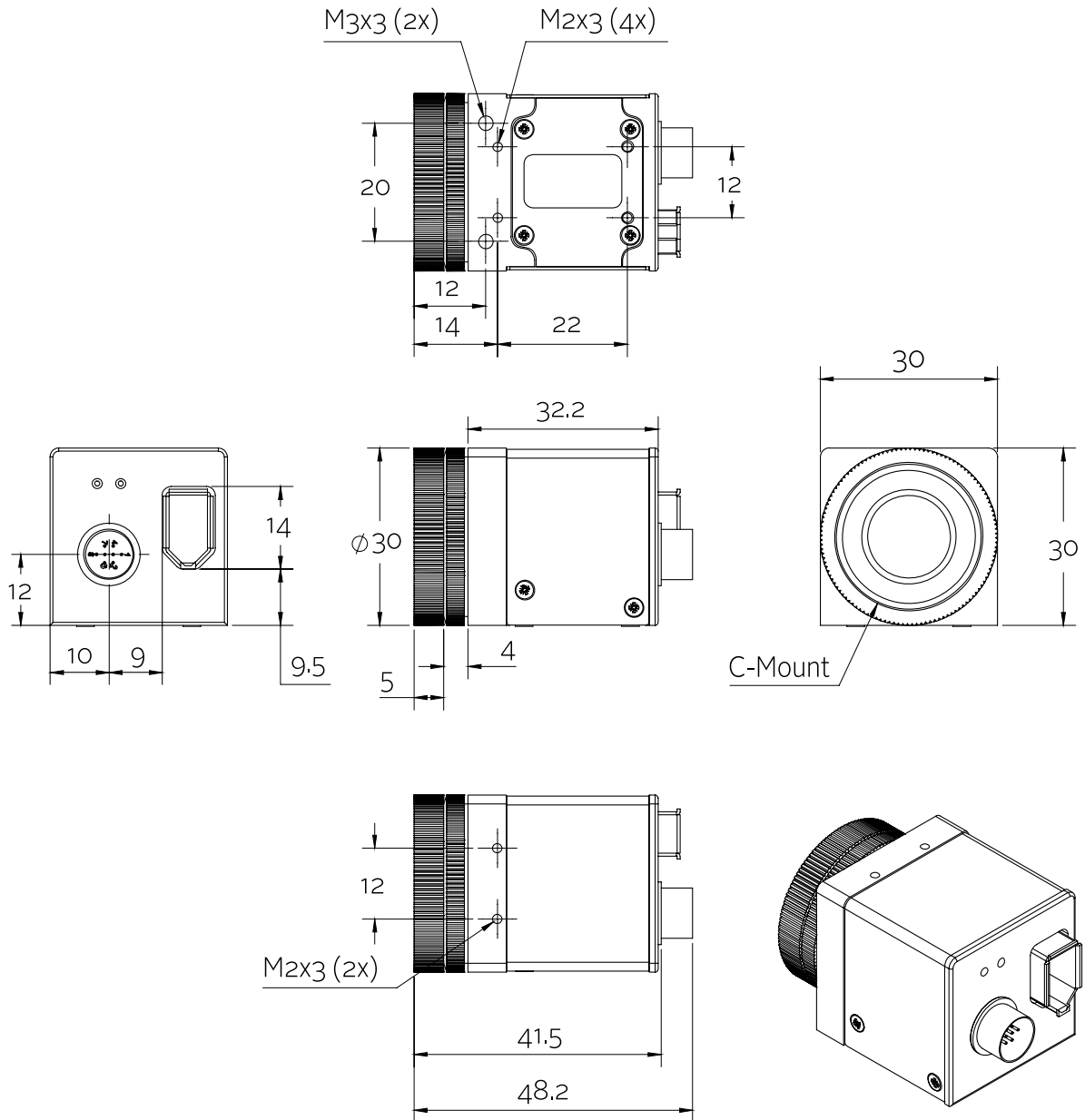
Guppy	F-503
RS232	1
Operating conditions/dimensions	
Operating temperature	+5 °C to +45 °C
Power requirements (DC)	8 V to 36 V
消費電力	<2 W (@ 12 VDC)
Mass	50 g
Body dimensions (L × W × H in mm)	48.2 × 30 × 30 (including connectors)
Regulations	CE: 2014/30/EU (EMC), 2011/65/EU (RoHS); FCC Class B



Features

- High Dynamic Range (HDR) mode
- Defect pixel correction
- Reverse X/Y
- Look-up table (LUT)
- Binning
- Decimation
- Area of interest (AOI), separate AOI for auto features
- Auto gain (0 to 26 dB)
- Auto exposure (41 μ s to 2.3 s)
- Auto white balance
- Storable user sets

Technical drawing





Applications

The Guppy F-503B/F-503C is an economically priced 5 Megapixel camera; its CMOS sensor has no blooming and features the defect pixel correction mode. This camera fits a variety of applications:

- Quality control
- Industrial inspection
- Security and surveillance
- ITS/Traffic monitoring