



## Guppy F-046



- IEEE 1394a camera
- Lightweight
- Robust design
- Machine vision camera

## Description

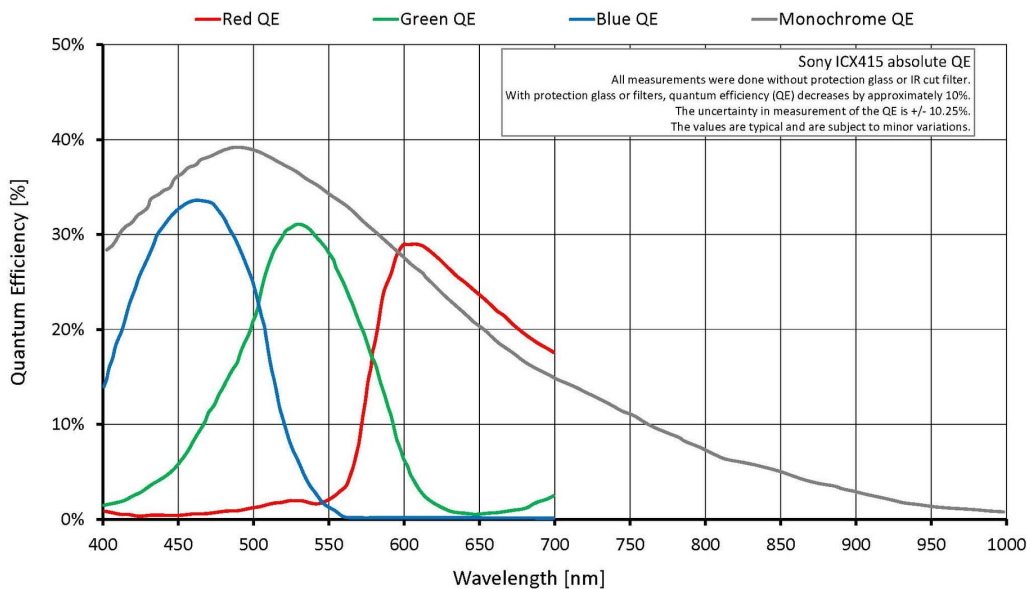
Very compact, inexpensive FireWire camera - 0.5 Megapixels

The Guppy F-046B/F-046C is a very compact, inexpensive camera with a sensitive Sony CCD sensor. At full resolution, it runs at up to 49.4 frames per second. Higher frame rates can be reached by a smaller area of interest (AOI).

## Specifications

Guppy	F-046
インターフェイス	IEEE 1394a - 400 Mb/s, 1 port
解像度	780 (H) × 582 (V)
センサー	Sony ICX415
Sensor type	CCD Progressive
センサーサイズ	Type 1/2
ピクセルサイズ	8.3 μm × 8.3 μm
レンズマウント (標準搭載)	C-Mount, CS-Mount
フレームレート (フル解像度)	49 fps
ADC	12 bit
Image buffer (RAM)	
	Output
Bit depth	8 bit
ビデオフォーマット(Mono)	Mono8
ビデオフォーマット(RGB)	n/a
ビデオフォーマット(Raw)	Raw8
	General purpose inputs/outputs (GPIOs)
TTL I/Os	1 input, 3 outputs

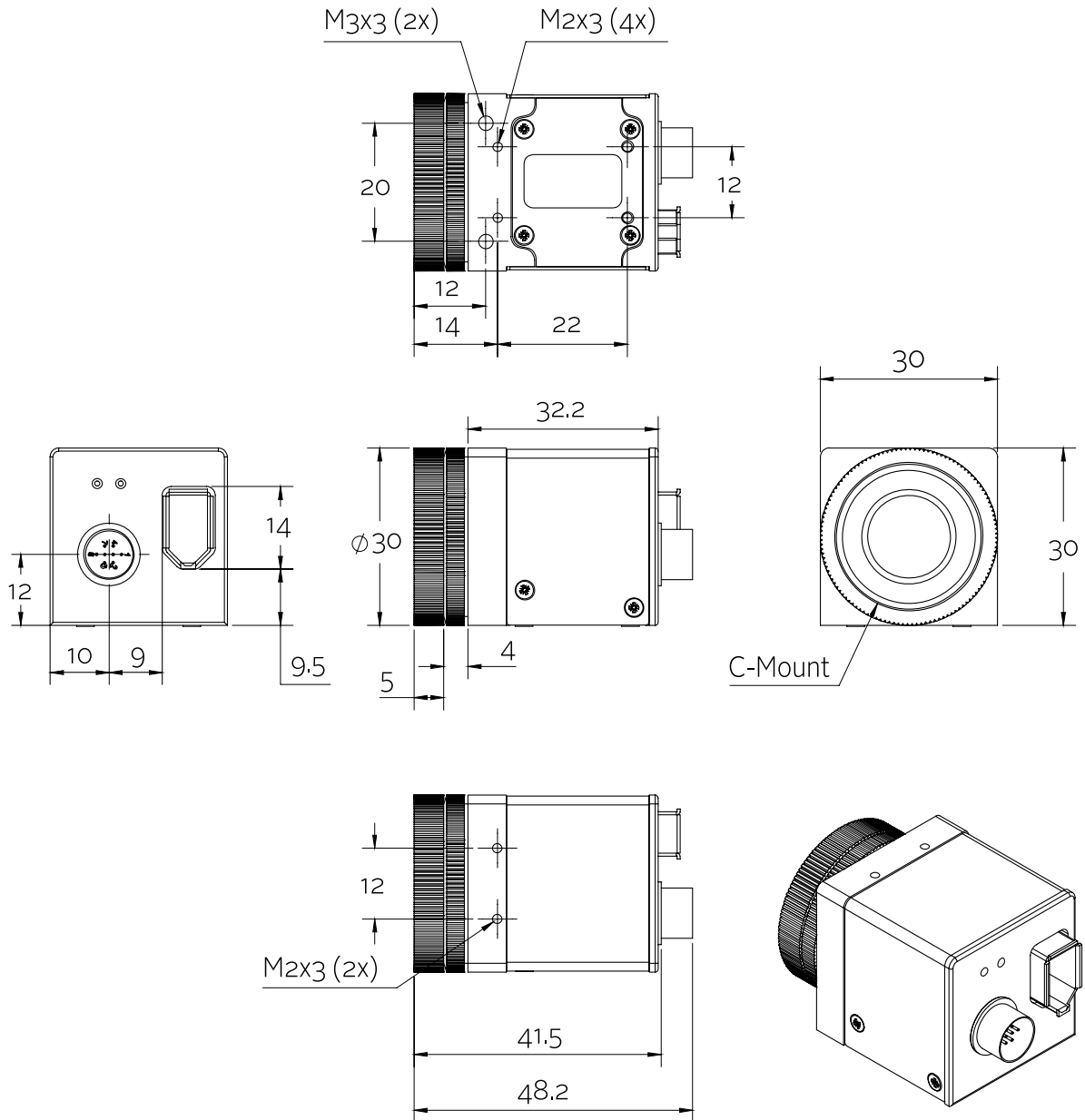
Guppy	F-046
RS232	1
Operating conditions/dimensions	
Operating temperature	+5 °C to +45 °C
Power requirements (DC)	8 V to 36 V
消費電力	<2 W (@ 12 VDC)
Mass	50 g
Body dimensions (L × W × H in mm)	48.2 × 30 × 30 (including connectors)
Regulations	CE: 2014/30/EU (EMC), 2011/65/EU (RoHS); FCC Class B



## Features

- Look-up table (LUT)
- Area of interest (AOI), separate AOI for auto features
- Auto gain (0 to 24 dB)
- Auto exposure (42  $\mu$ s to 67 s)
- Auto white balance
- Storable user sets

## Technical drawing





## Applications

This inexpensive, reliable mainstream 0.5 Megapixel camera addresses a wide range of imaging applications (e.g. robotics). With its ultra-compact housing, the Guppy F-046B/F-046C is the perfect fit for all applications with space constraints.

- Machine vision
- Robotics (robust, lightweight housing)
- Quality control
- Ophthalmology
- Semiconductor inspection
- Industrial inspection
- ITS/Traffic monitoring