



## Guppy F-044



- IEEE 1394a camera
- Lightweight
- Robust design
- Machine vision camera

## Description

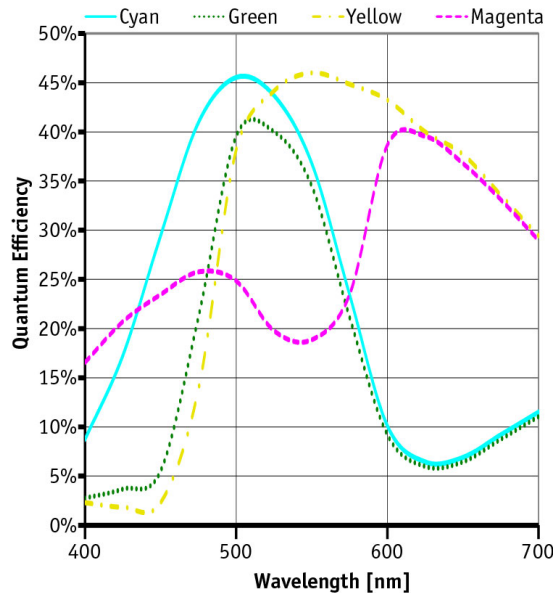
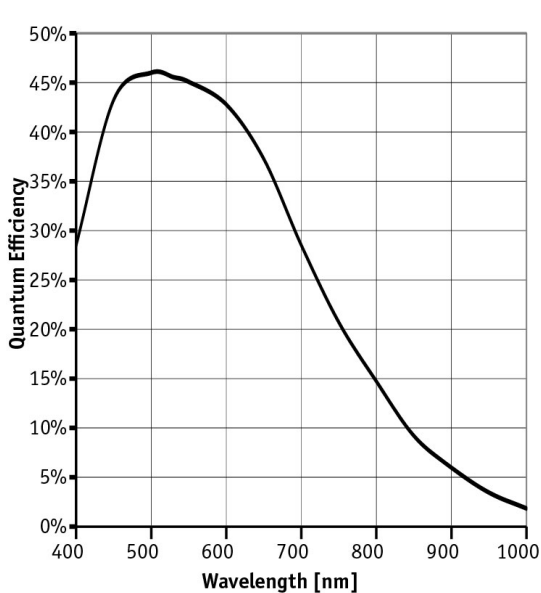
Ultra-compact, inexpensive 0.4 Megapixel camera - interlaced, high sensitivity

The Guppy F-044B/F-044C is equipped with an ultra-sensitive interlaced CCD sensor - which makes the move from analog to digital cameras (e.g. quality control applications) very easy. Additionally, with the Guppy F-044B NIR, a version with enhanced NIR sensitivity is available. At full resolution, it runs at up to 25 frames per second. Higher frame rates can be reached by a smaller area of interest (AOI).

## Specifications

Guppy	F-044
インターフェイス	IEEE 1394a - 400 Mb/s, 1 port
解像度	752 (H) × 580 (V)
センサー	Sony ICX419
Sensor type	CCD Interlaced
センサーサイズ	Type 1/2
ピクセルサイズ	8.6 μm × 8.3 μm
レンズマウント (標準搭載)	C-Mount, CS-Mount
フレームレート (フル解像度)	25 fps
ADC	12 bit
Image buffer (RAM)	
	Output
Bit depth	8 bit
ビデオフォーマット(Mono)	Mono8
ビデオフォーマット(RGB)	n/a
ビデオフォーマット(Raw)	Raw8

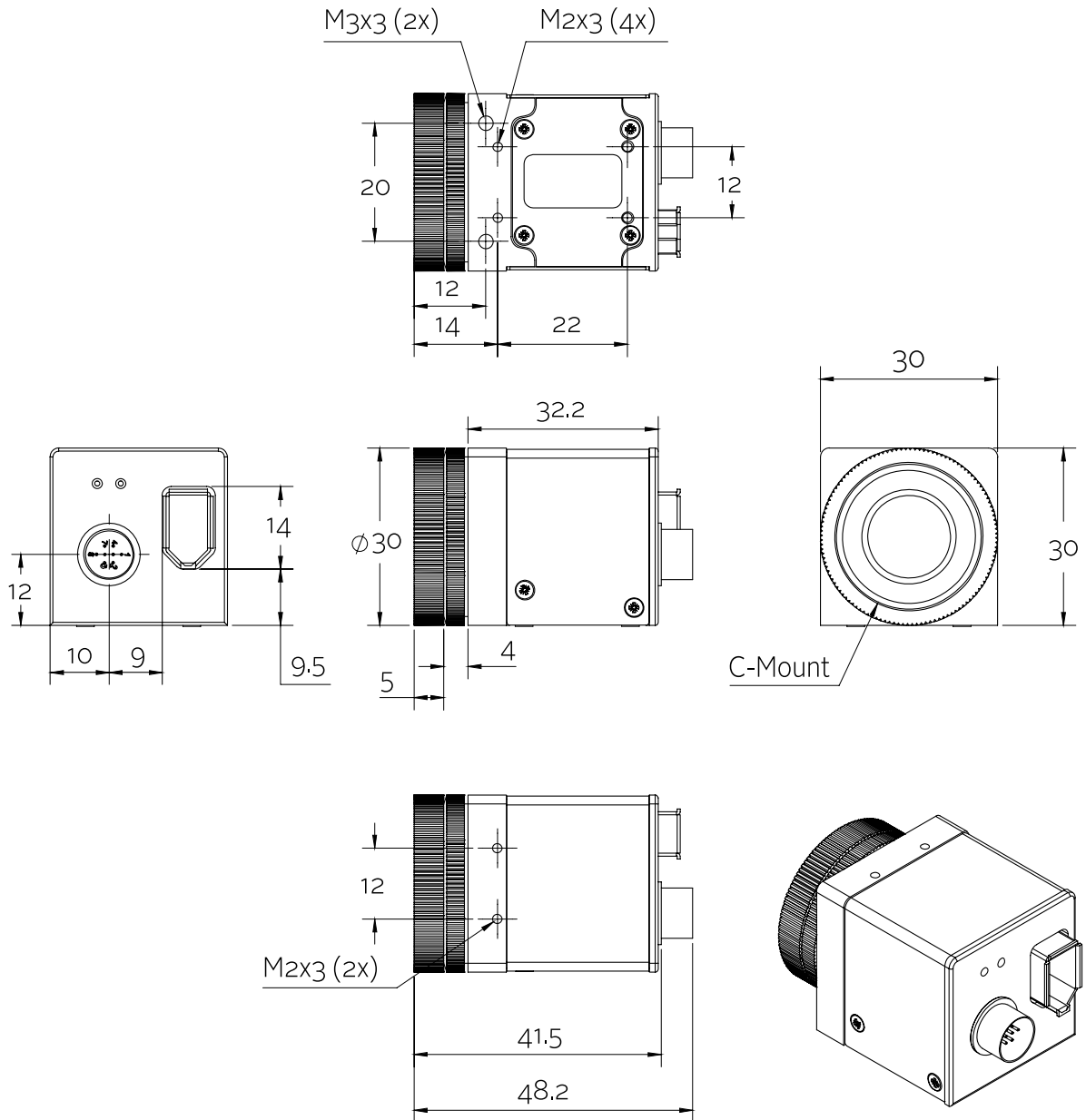
Guppy	F-044
	General purpose inputs/outputs (GPIOs)
TTL I/Os	1 input, 3 outputs
RS232	1
	Operating conditions/dimensions
Operating temperature	+5 °C to +45 °C
Power requirements (DC)	8 V to 36 V
消費電力	<2 W (@ 12 VDC)
Mass	50 g
Body dimensions (L × W × H in mm)	48.2 × 30 × 30 (including connectors)
Regulations	CE: 2014/30/EU (EMC), 2011/65/EU (RoHS); FCC Class B



## Features

- Look-up table (LUT)
- Area of interest (AOI), separate AOI for auto features
- Auto gain (0 to 24 dB)
- Auto exposure (62  $\mu$ s to 67 s)
- Auto white balance
- Storable user sets

## Technical drawing





## Applications

Due to the very sensitive interlaced sensor, the Guppy F-044B/F-044C is a very inexpensive, easy solution for the switch from analog to digital cameras, e.g for quality control. The Guppy F-044B NIR version has enhanced near infrared sensitivity.

- Machine vision
- Quality control
- Industrial inspection
- Robotics
- Security and surveillance
- Pharma
- Semiconductor inspection
- ITS/Traffic monitoring