



Guppy PRO

F-125



- Compact 1.2 MP camera
- Robust metal housing
- 31 fps
- Optocoupled I/Os

Description

IEEE 1394b FireWire camera - Sony ICX445 CCD

The Guppy PRO F-125B/F-125C is a FireWire camera (IEEE 1394b) with the sensitive Sony ICX445 CCD sensor and an ultra-compact housing. At full resolution, it runs 31 frames per second.

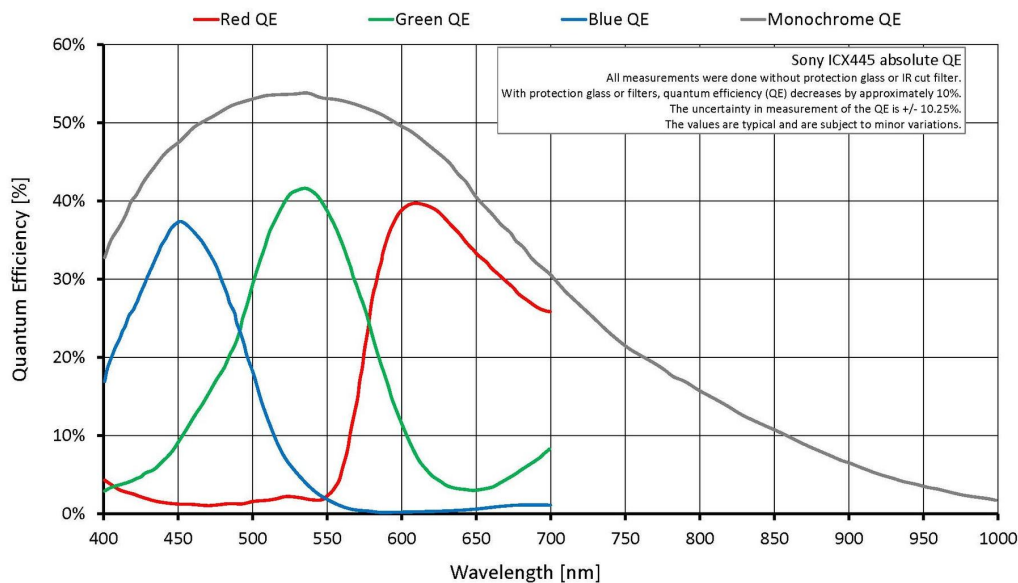
Options

- Various IR cut/pass filters
- White medical housing

Specifications

Guppy PRO	F-125
インターフェイス	IEEE 1394b - 800 Mb/s, 1 port
解像度	1292 (H) × 964 (V)
センサー	Sony ICX445
Sensor type	CCD Progressive
センサーサイズ	Type 1/3
ピクセルサイズ	3.75 μm × 3.75 μm
レンズマウント (標準搭載)	C-Mount
フレームレート (フル解像度)	31 fps
ADC	14 bit
Image buffer (RAM)	
	Output
Bit depth	8-14 bit
ビデオフォーマット(Mono)	8/12/16
ビデオフォーマット(RGB)	RGB8

Guppy PRO	F-125
ビデオフォーマット(Raw)	8/12/16
General purpose inputs/outputs (GPIOs)	
Opto-isolated I/Os	1/3
Operating conditions/dimensions	
Operating temperature	+5 °C to +45 °C
Power requirements (DC)	8 V to 36 V
消費電力	<3.5 W (@ 12 VDC)
Mass	80 g
Body dimensions (L × W × H in mm)	44.8 × 29 × 29 (including connectors)
Regulations	CE: 2014/30/EU (EMC), 2011/65/EU (RoHS); FCC Class B



Features

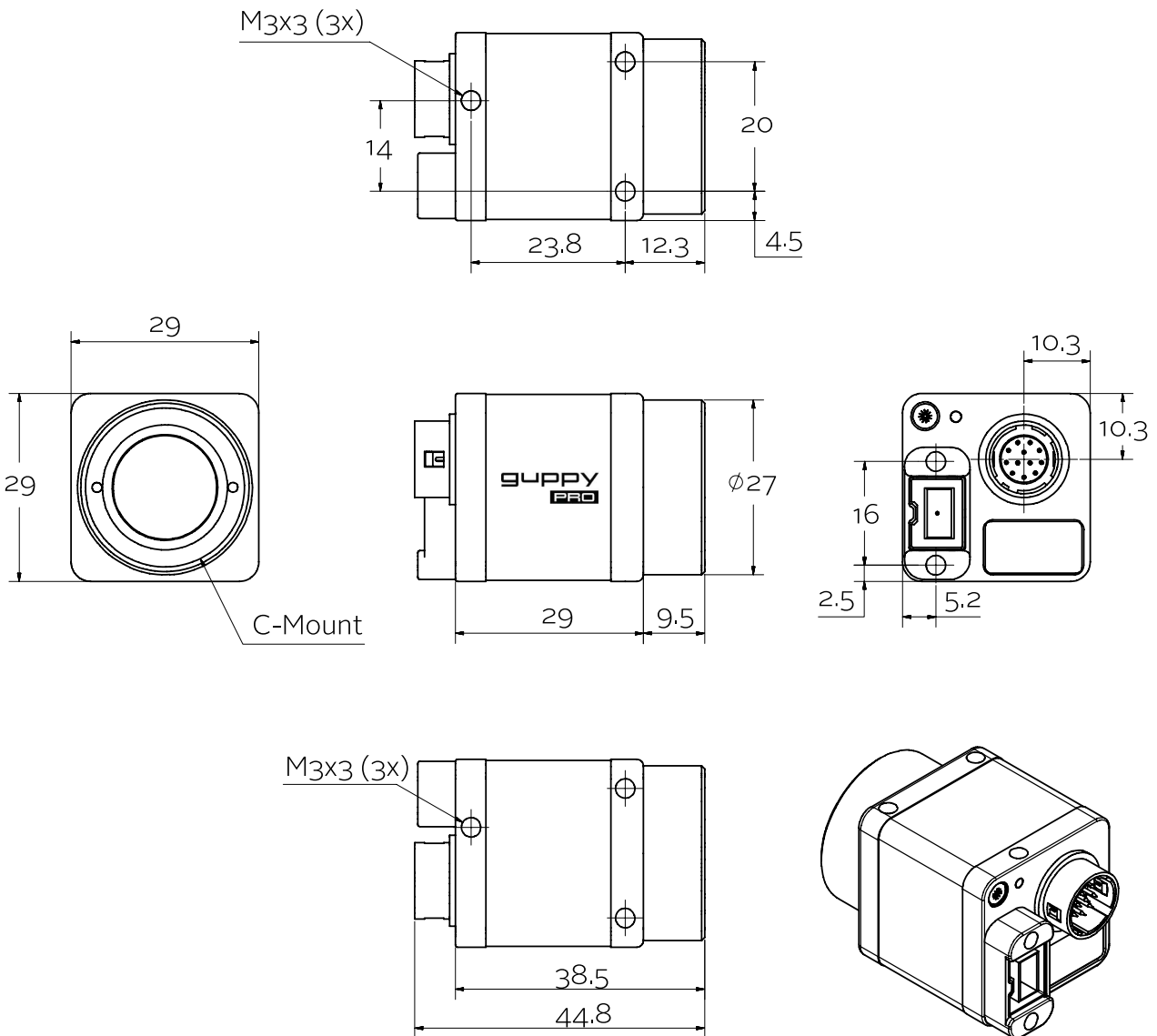
- Look-up table (LUT)
- Gamma correction
- Color correction
- Area of interest (AOI), separate AOI for auto features
- Binning
- Sub-sampling
- Auto gain (manual gain control: 0 to 24.4 dB)
- Auto exposure (39 μ s to 67 s)
- Trigger programmable, level, single, bulk, programmable delay

- Storable user sets

Scope of delivery

- Camera and IEEE 1394b cable (other configurations on request)

Technical drawing





Applications

This FireWire camera is equipped with a sensitive Sony EXview HAD CCD sensor. With its ultra-compact housing, the Guppy PRO F-125B/F-125C can easily be integrated into your application. Typical applications:

- Machine vision
- Robotics
- Logistics
- Security and surveillance
- Healthcare
- Ophthalmology
- Pharmaceutical industry
- Food inspection
- Motion analysis
- ITS/traffic monitoring