



Guppy PRO

F-046



- Compact 0.5 MP camera
- Robust metal housing
- Sony ICX415 sensor
- Optocoupled I/Os

Small CCD camera with Sony ICX415 - IEEE 1394b

The Guppy PRO F-046B/F-046C is a small IEEE 1394b camera with the Sony ICX415 sensor. At full resolution the camera runs 62 frames per second. With a smaller area of interest (AOI), higher frame rates are possible.

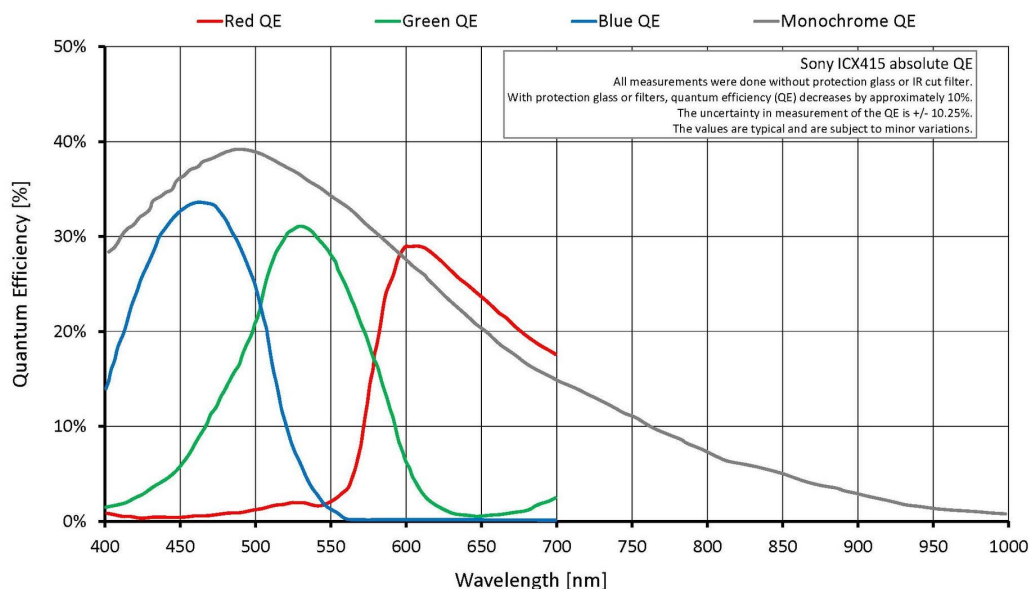
Options

- Various IR cut/pass filters
- White medical housing

Specifications

Guppy PRO	F-046
インターフェイス	IEEE 1394b - 800 Mb/s, 1 port
解像度	780 (H) × 580 (V)
センサー	Sony ICX415
Sensor type	CCD Progressive
センサーサイズ	Type 1/2
ピクセルサイズ	8.3 μm × 8.3 μm
レンズマウント (標準搭載)	C-Mount
フレームレート (フル解像度)	62 fps
ADC	14 bit
Image buffer (RAM)	
	Output
Bit depth	8-12 Bit
ビデオフォーマット(Mono)	8/12/16
ビデオフォーマット(RGB)	RGB8
ビデオフォーマット(Raw)	8/12/16
General purpose inputs/outputs (GPIOs)	

Guppy PRO	F-046
Opto-isolated I/Os	1/3
Operating conditions/dimensions	
Operating temperature	+5 °C to +45 °C
Power requirements (DC)	8 V to 36 V
消費電力	<3.5 W (@ 12 VDC)
Mass	80 g
Body dimensions (L × W × H in mm)	44.8 × 29 × 29 (including connectors)
Regulations	CE: 2014/30/EU (EMC), 2011/65/EU, including amendment 2015/863/EU (RoHS); FCC Class B



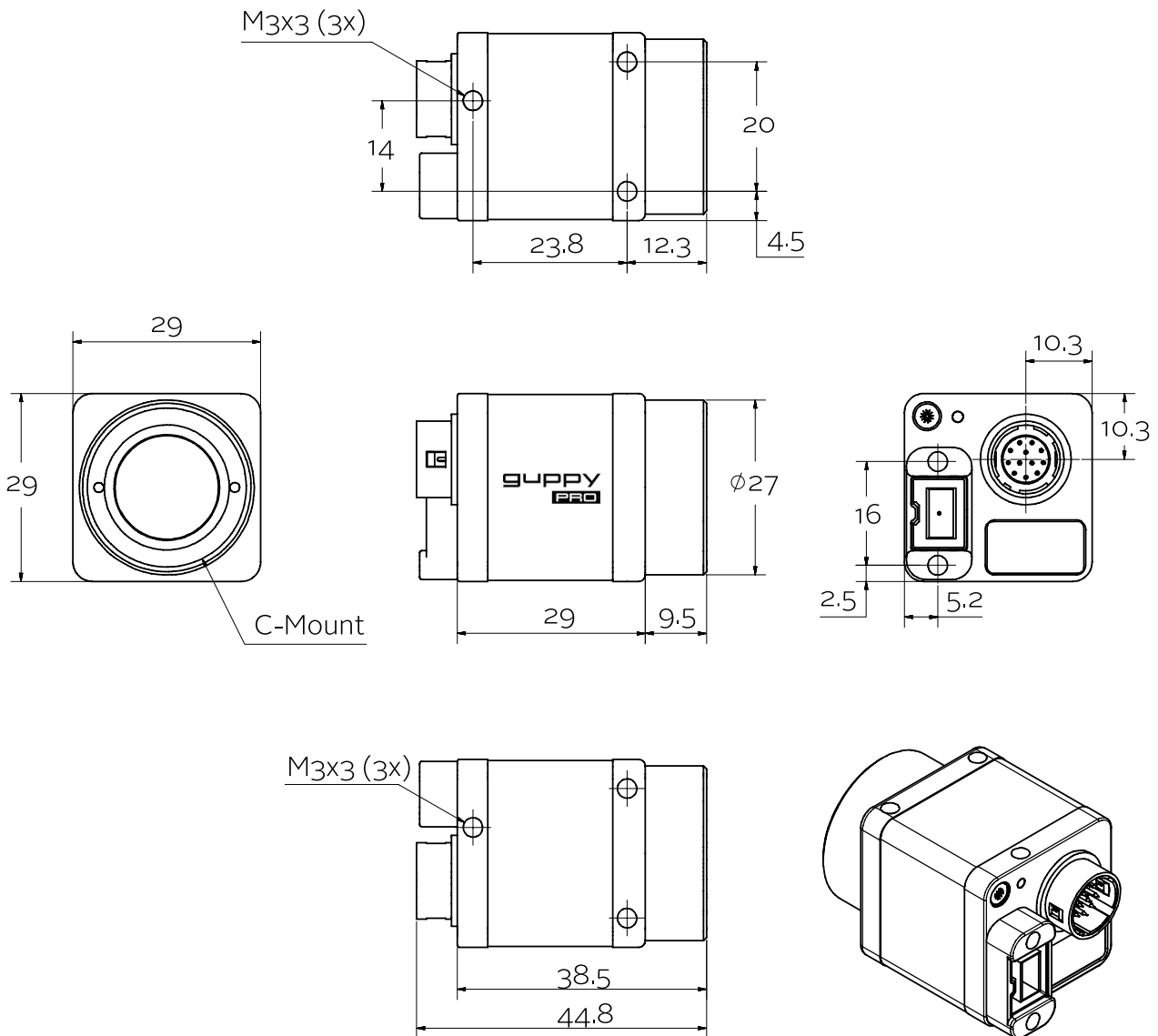
Features

- Look-up table (LUT)
- Gamma correction
- Color correction
- Area of interest (AOI), separate AOI for auto features
- Binning
- Sub-sampling
- Auto gain (manual gain control: 0 to 24.4 dB)
- Auto exposure (41 μ s to 67 s)
- Trigger programmable, level, single, bulk, programmable delay
- Storable user sets

Scope of delivery

- Camera and IEEE 1394b cable (other configurations on request)

Technical drawing





Applications

This inexpensive, reliable mainstream machine vision camera addresses a wide range of imaging applications. With its ultra-compact housing, the Guppy PRO F-046B/F-046C is the perfect fit for all applications with space constraints.

- Machine vision
- Robotics (robust housing, lightweight camera)
- Quality control
- Semiconductor inspection
- Industrial inspection
- ITS/traffic monitoring