



Guppy PRO

F-032



- Compact VGA camera
- Robust metal housing
- Sony ICX424 CCD sensor
- Optocoupled I/Os

Description

Industrial camera with Sony ICX424 and IEEE 1394b interface

The Guppy PRO F-032B/F-032C is an industrial camera with Sony's ICX424 CCD sensor and a fast IEEE 1394b interface. At full resolution, it runs 82 frames per second. Guppy PRO cameras have an excellent price/performance ratio.

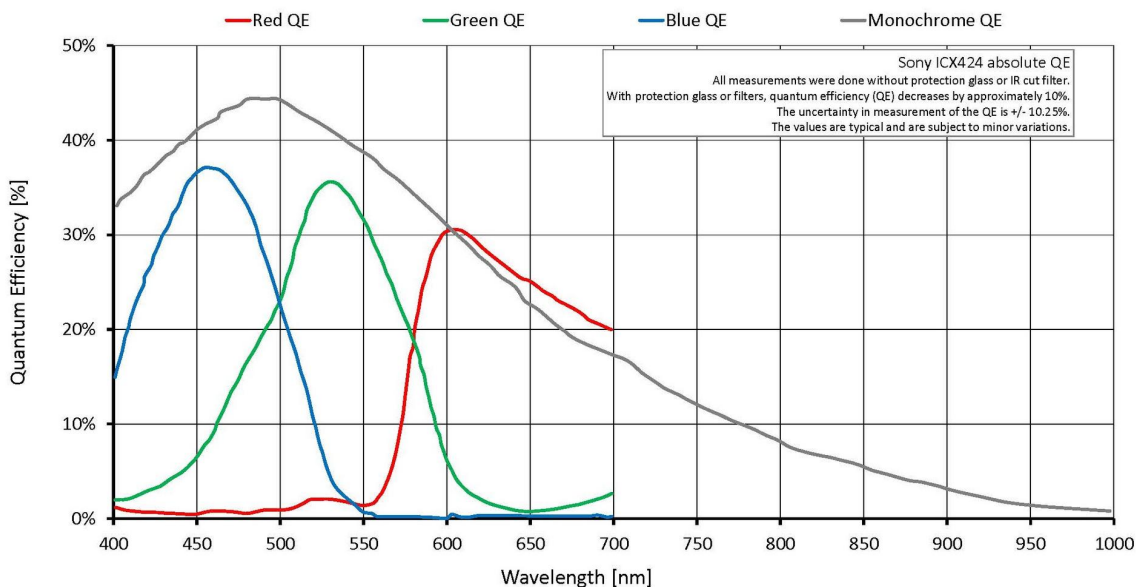
Options

- Various IR cut/pass filters
- White medical housing

Specifications

Guppy PRO	F-032
インターフェイス	IEEE 1394b - 800 Mb/s, 1 port
解像度	656 (H) × 492 (V)
センサー	Sony ICX424
Sensor type	CCD Progressive
センサーサイズ	Type 1/3
ピクセルサイズ	7.4 μm × 7.4 μm
レンズマウント (標準搭載)	C-Mount
フレームレート (フル解像度)	82 fps
ADC	12 bit
Image buffer (RAM)	
	Output
Bit depth	8-12 bit
ビデオフォーマット(Mono)	8/12/16

Guppy PRO	F-032
ビデオフォーマット(RGB)	RGB8
ビデオフォーマット(Raw)	8/12/16
General purpose inputs/outputs (GPIOs)	
Opto-isolated I/Os	1/3
Operating conditions/dimensions	
Operating temperature	+5 °C to +45 °C
Power requirements (DC)	8 V to 36 V
消費電力	<3.5 W (@ 12 VDC)
Mass	80 g
Body dimensions (L × W × H in mm)	44.8 × 29 × 29 (including connectors)
Regulations	CE: 2014/30/EU (EMC), 2011/65/EU (RoHS); FCC Class B



Features

- Look-up table (LUT)
- Gamma correction
- Color correction
- Area of interest (AOI), separate AOI for auto features
- Binning
- Sub-sampling
- Auto gain (manual gain control: 0 to 24.4 dB)
- Auto exposure (37 μ s to 67 s)

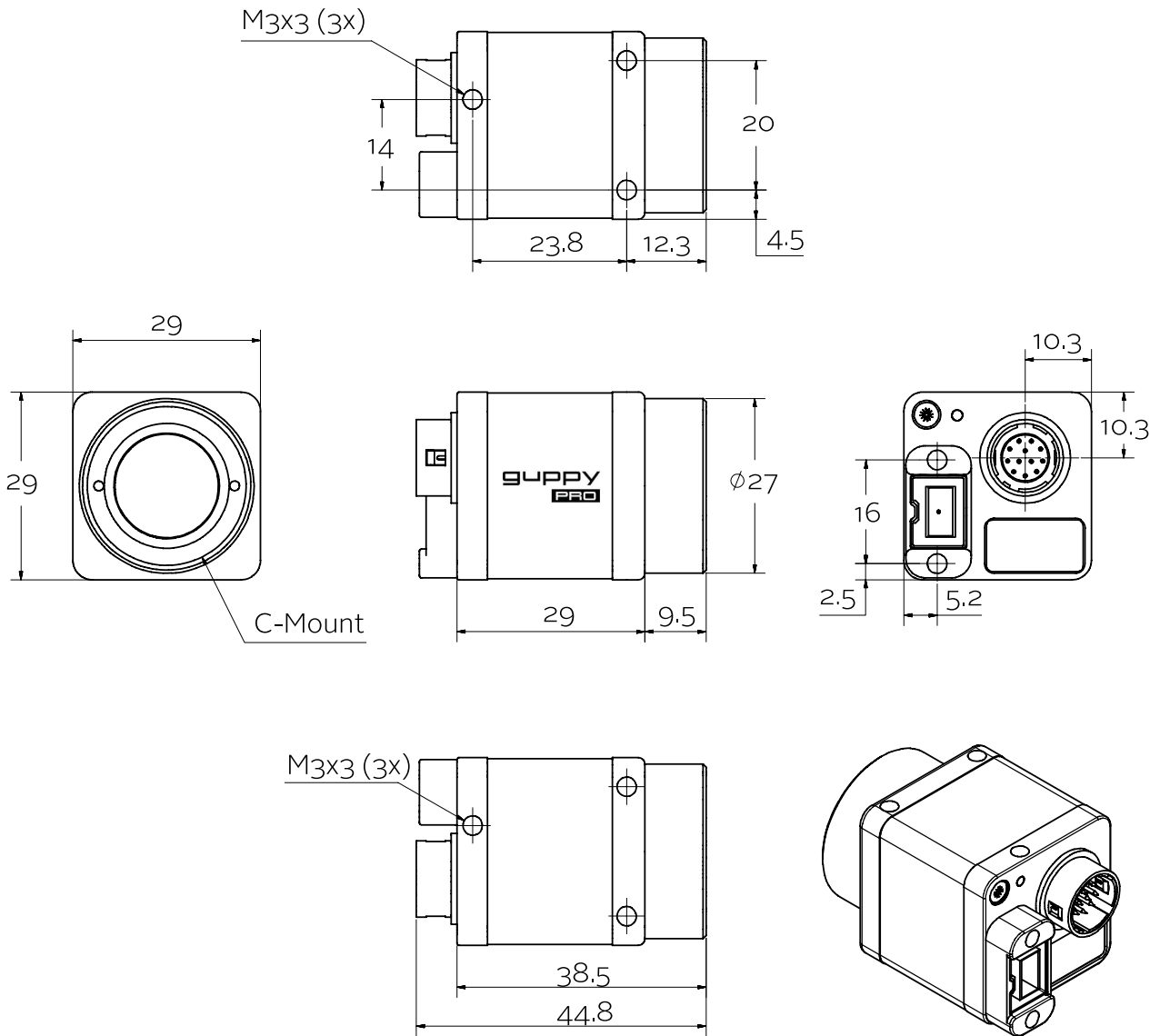


- Trigger programmable, level, single, bulk, programmable delay
- Storable user sets

Scope of delivery

- Camera and IEEE 1394b cable (other configurations on request)

Technical drawing





Applications

The Guppy PRO F-032B/F-032C is an ultra-compact IEEE 1394b camera for a large variety of industrial applications:

- Machine vision
- Robotics
- Logistics
- Security and surveillance
- Healthcare
- Pharmaceutical industry
- Food inspection
- Motion analysis
- ITS/Traffic monitoring