



Guppy PRO

F-031



- Compact VGA camera
- Robust metal housing
- Sony ICX618 CCD sensor
- 123 fps

Description

Small Firewire camera with Sony ICX618 - IEEE 1394b; 123 frames per second

The Guppy PRO F-031B/F-031C is a small IEEE 1394b camera with the Sony ICX618 sensor. This EXview HAD CCD sensor is very sensitive both in the visible spectrum and in the near-infrared (NIR) spectrum.

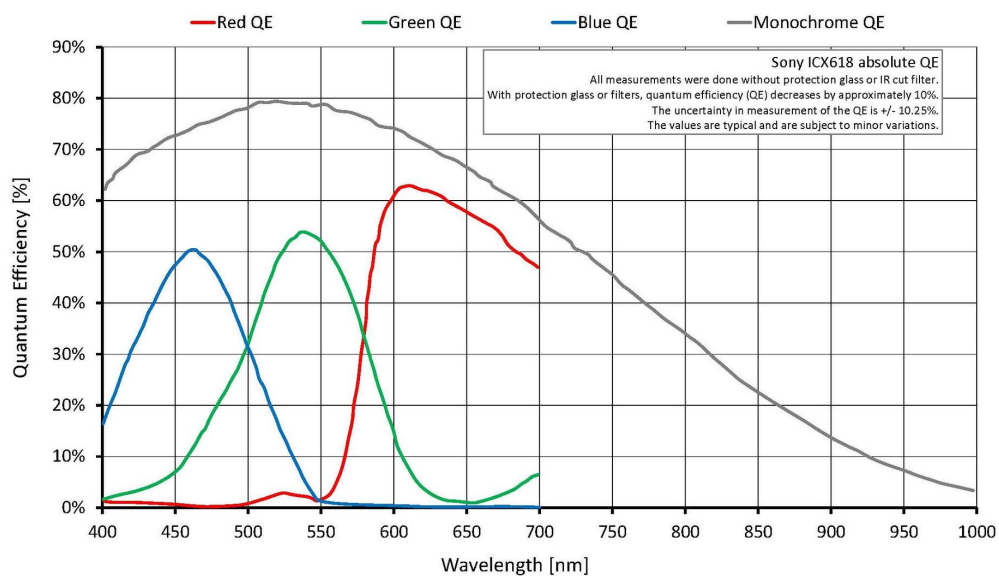
Options

- Various IR cut/pass filters
- White medical housing

Specifications

Guppy PRO	F-031
インターフェイス	IEEE 1394b - 800 Mb/s, 1 port
解像度	656 (H) × 492 (V)
センサー	Sony ICX618
Sensor type	CCD Progressive
センサーサイズ	Type 1/4
ピクセルサイズ	5.6 μm × 5.6 μm
レンズマウント (標準搭載)	C-Mount
フレームレート (フル解像度)	123 fps
ADC	14 bit
Image buffer (RAM)	
	Output
Bit depth	8-14 bit
ビデオフォーマット(Mono)	8/12/16

Guppy PRO	F-031
ビデオフォーマット(RGB)	RGB8
ビデオフォーマット(Raw)	8/12/16
General purpose inputs/outputs (GPIOs)	
Opto-isolated I/Os	1/3
Operating conditions/dimensions	
Operating temperature	+5 °C to +45 °C
Power requirements (DC)	8 V to 36 V
消費電力	<3.5 W (@ 12 VDC)
Mass	80 g
Body dimensions (L × W × H in mm)	44.8 × 29 × 29 (including connectors)
Regulations	CE: 2014/30/EU (EMC), 2011/65/EU (RoHS); FCC Class B



Features

- Look-up table (LUT)
- Gamma correction
- Color correction
- Area of interest (AOI), separate AOI for auto features
- Binning
- Sub-sampling
- Auto gain (manual gain control: 0 to 24.4 dB)
- Auto exposure (75 μ s to 67 s)

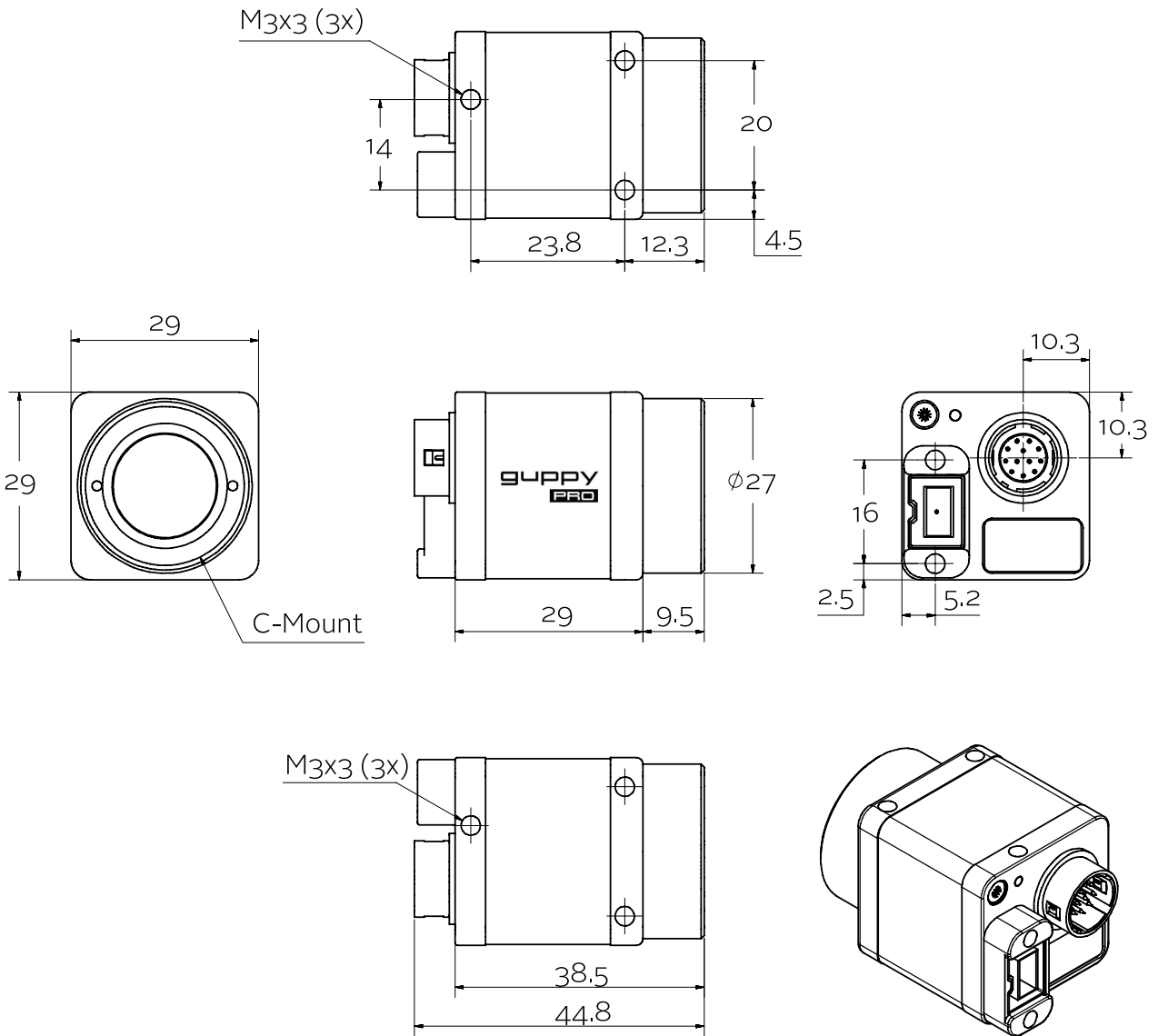


- Trigger programmable, level, single, bulk, programmable delay
- Storable user sets

Scope of delivery

- Camera and IEEE 1394b cable (other configurations on request)

Technical drawing





Applications

The Guppy PRO F-031B/F-031C is a fast and sensitive (also NIR sensitive) camera. Its robust, extremely compact design facilitates the integration into your system.

Typical Applications:

- Machine vision
- Robotics
- Semiconductor inspection
- Logistics
- Security and Surveillance
- Pharmaceutical industry
- Food inspection
- ITS/Traffic monitoring