



Stingray F-504



- Versatile 5 MP camera
- Advanced feature set
- Many variants
- Excellent image quality

High performance IEEE 1394b camera - 5 Megapixel - 9 fps

The Stingray F-504B/F-504C is equipped with a 5 Megapixel Sony ICX655 CCD sensor. At full resolution, this IEEE 1394b camera runs at 9 frames per second. Higher frame rates can be reached by using a smaller area of interest (AOI), binning (b/w) or sub-sampling.

Options:

- IEEE 1394b connectors: 2 x copper (daisy chain), Hirose power: out
- Various IR cut/pass filters, various lens mounts
- Angled head, board level version, white medical housing

Specifications

Stingray	F-504
インターフェイス	IEEE 1394b - 800 Mb/s, 2 ports, daisy chain
解像度	2452 (H) × 2056 (V)
センサー	Sony ICX655
Sensor type	CCD Progressive
センサーサイズ	Type 2/3
ピクセルサイズ	3.45 μm × 3.45 μm
Lens mount (default)	C-Mount
フレームレート (フル解像度)	9 fps
ADC	14 Bit
Image buffer (RAM)	Up to 128 MByte

撮影性能

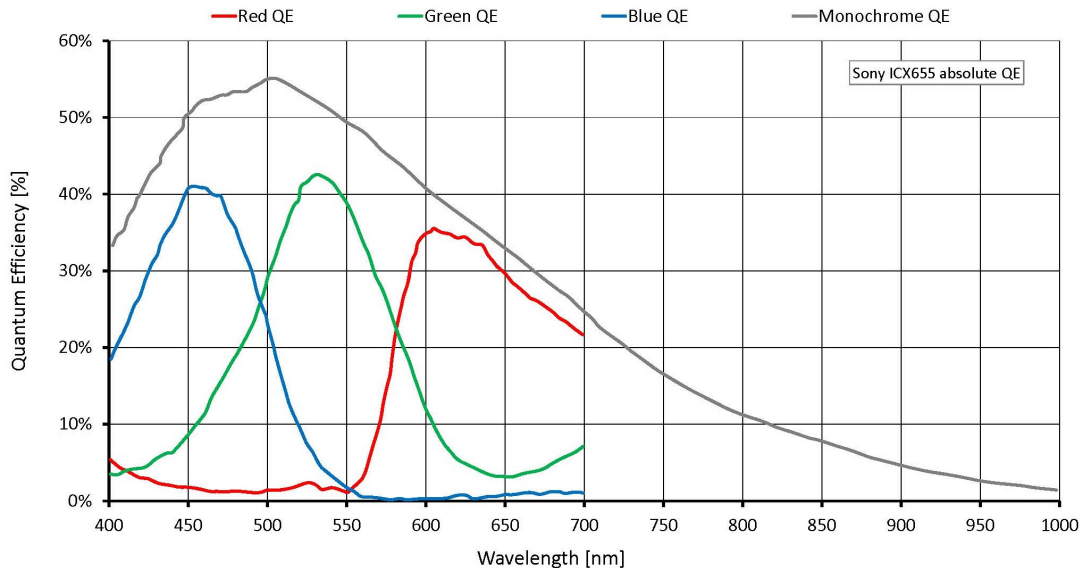
Stingray

F-504

Imaging performance data is based on the evaluation methods in the EMVA 1288 Release 3.1 standard for characterization of image sensors and cameras. Measurements are typical values for monochrome models measured at full resolution without optical filter. Contact Sales or AE for more information.

量子効率 (529nm)	53 %
ダークノイズ	9.4 e ⁻
飽和電荷量	5600 e ⁻
ダイナミックレンジ	55.1 dB
限界感度	9.9 e ⁻
Output	
Bit depth	8-14 Bit
ビデオフォーマット(Mono)	Mono8, Mono12, Mono16
ビデオフォーマット(RGB)	RGB8
ビデオフォーマット(Raw)	Raw8, Raw12, Raw16
General purpose inputs/outputs (GPIOs)	
Opto-isolated I/Os	2 inputs, 4 outputs
RS232	1
Operating conditions/dimensions	
Operating temperature	+5 °C to +45 °C
Power requirements (DC)	8 V to 36 V
消費電力	<4 W (@ 12 VDC)
Mass	92 g
Body dimensions (L × W × H in mm)	72.9 × 44 × 29 (including connectors)
Regulations	CE: 2014/30/EU (EMC), 2011/65/EU, including amendment 2015/863/EU (RoHS); FCC Class B

Quantum efficiency



Features

- High SNR mode (up to 24 dB better signal-to-noise ratio)
- Low-noise binning mode
- Shading correction
- Defect pixel correction
- Area of interest (AOI), separate AOI for auto features
- Binning
- Decimation
- Auto gain (manual gain control: 0 to 24.4 dB)
- Auto exposure (42 μ s to 67 s)
- Auto white balance
- Look-up table (LUT)
- Hue, saturation
- Color correction
- Local color anti-aliasing
- Reverse X/Y
- Deferred image transport
- Trigger programmable, level, single, bulk, programmable delay
- Sequence mode (changes the camera settings on the fly)
- SIS (secure image signature, time stamp for trigger, frame count etc.)
- Storable user sets

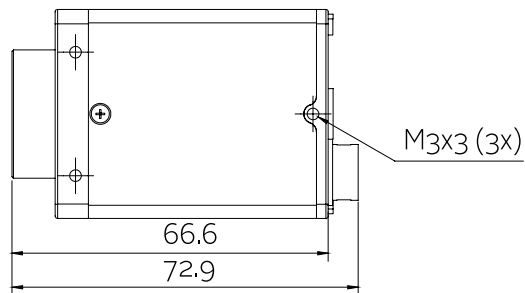
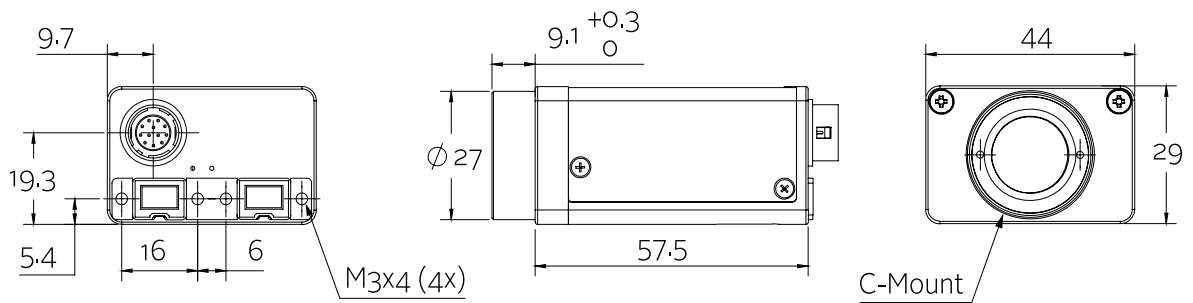
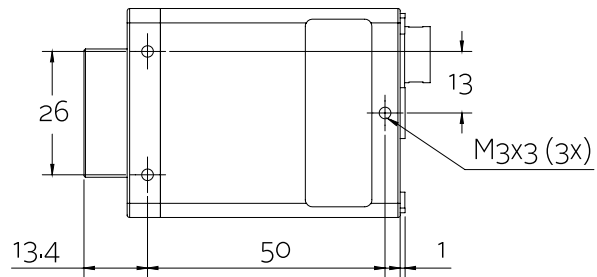


Scope of delivery

- Camera and IEEE 1394b cable (other configurations on request)

Technical drawing

2 x 1394b copper





Applications

The Stingray F-504B/F-504C meets high demands. Its brilliant image quality can be enhanced by several image pre-processing functions. Due to the modular design, customization is easy and cost-effective. This 5 Megapixel camera fits for:

- Intelligent traffic systems (ITS)
- Industrial inspection and automation
- Logistics
- Science and research
- Microscopy
- Healthcare and medical (white housing available)
- Multimedia and entertainment

Additionally, it is ideally suited for:

- Demanding OEM camera applications (board level versions with separate sensor board available on request)
- Daisy chaining (two copper connectors)