



## Stingray F-145



- Versatile camera with Sony ICX285
- Advanced feature set
- Many variants
- Excellent image quality

Sony ICX285 EXview HAD sensor, IEEE 1394b

The Stingray F-145B/F-145C incorporates the popular Sony ICX285 EXview HAD CCD sensor. In combination with the Stingray's image pre-processing functions like low-noise binning mode and High SNR mode, this camera produces clear and brilliant images even with very low light. At full resolution, it runs at 16 frames per second.

Options:

- IEEE 1394b connectors: 2 x copper (daisy chain), Hirose power: out
- Various IR cut/pass filters, various lens mounts
- Angled head, board level version, white medical housing

## Specifications

Stingray	F-145
インターフェイス	IEEE 1394b - 800 Mb/s, 2 ports, daisy chain
解像度	1388 (H) × 1038 (V)
センサー	Sony ICX285
Sensor type	CCD Progressive
センサーサイズ	Type 2/3
ピクセルサイズ	6.45 μm × 6.45 μm
Lens mount (default)	C-Mount
フレームレート (フル解像度)	16 fps
ADC	14 Bit
Image buffer (RAM)	Up to 128 MByte

撮影性能

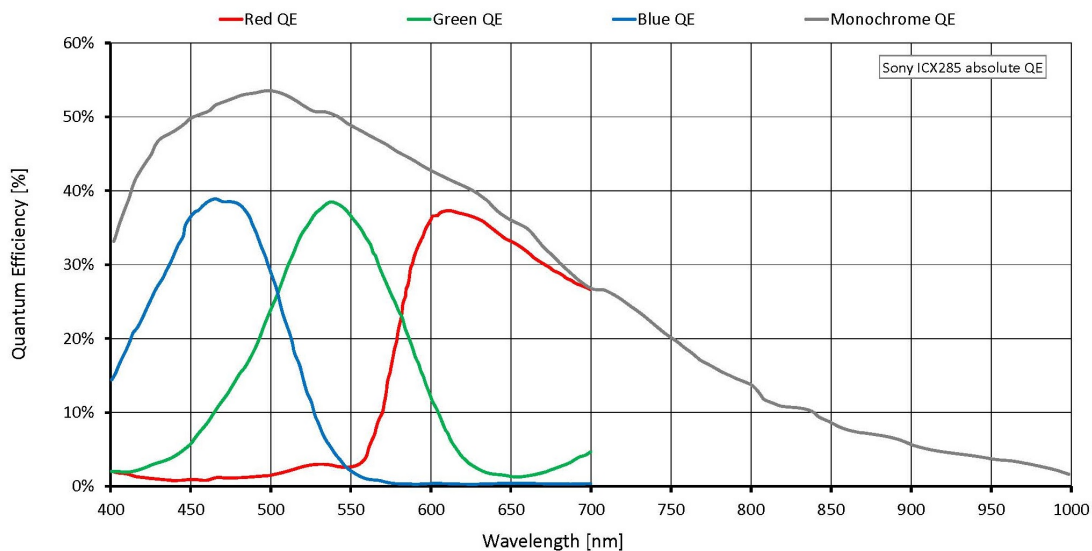
Stingray

F-145

Imaging performance data is based on the evaluation methods in the EMVA 1288 Release 3.1 standard for characterization of image sensors and cameras. Measurements are typical values for monochrome models measured at full resolution without optical filter. Contact Sales or AE for more information.

量子効率 (529nm)	52 %
ダークノイズ	9.0 e <sup>-</sup>
飽和電荷量	20000 e <sup>-</sup>
ダイナミックレンジ	66.5 dB
限界感度	9.5 e <sup>-</sup>
Output	
Bit depth	8-14 Bit
ビデオフォーマット(Mono)	Mono8, Mono12, Mono16
ビデオフォーマット(RGB)	RGB8
ビデオフォーマット(Raw)	Raw8, Raw12, Raw16
General purpose inputs/outputs (GPIOs)	
Opto-isolated I/Os	2 inputs, 4 outputs
RS232	1
Operating conditions/dimensions	
Operating temperature	+5 °C to +45 °C
Power requirements (DC)	8 V to 36 V
消費電力	<4 W (@ 12 VDC)
Mass	92 g
Body dimensions (L × W × H in mm)	72.9 × 44 × 29 (including connectors)
Regulations	CE: 2014/30/EU (EMC), 2011/65/EU, including amendment 2015/863/EU (RoHS); FCC Class B

## Quantum efficiency



## Features

- High SNR mode (up to 24 dB better signal-to-noise ratio)
- Low-noise binning mode
- Shading correction
- Defect pixel correction
- Area of interest (AOI), separate AOI for auto features
- Binning
- Decimation
- Auto gain (manual gain control: 0 to 24.4 dB)
- Auto exposure (74  $\mu$ s to 67 s)
- Auto white balance
- Look-up table (LUT)
- Hue, saturation
- Color correction
- Local color anti-aliasing
- Reverse X/Y
- Deferred image transport
- Trigger programmable, level, single, bulk, programmable delay
- Sequence mode (changes the camera settings on the fly)
- SIS (secure image signature, time stamp for trigger, frame count etc.)
- Storable user sets

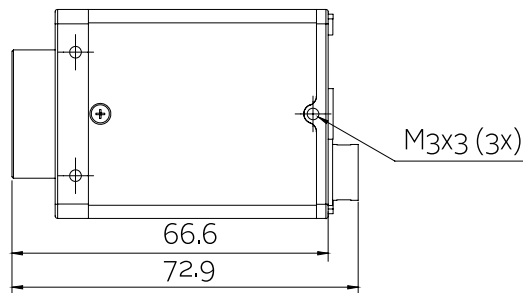
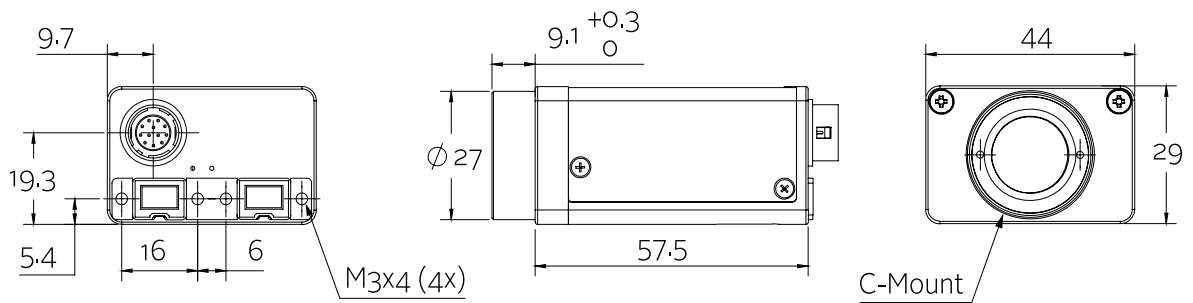
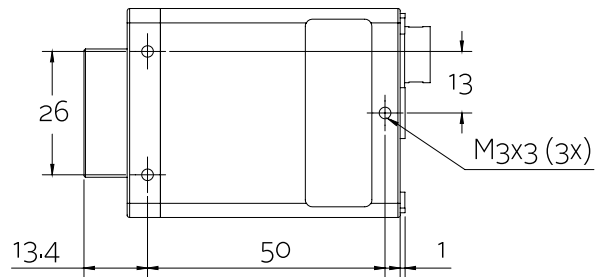


## Scope of delivery

- Camera and IEEE 1394b cable (other configurations on request)

## Technical drawing

2 x 1394b copper





## Applications

Thanks to the Sony EXview HAD ICX285 sensor and especially the High SNR mode, defect pixel correction and low-noise binning mode, Stingray F-145B/F-145C cameras are the perfect choice for low-light applications in:

- Industrial inspection and automation
- Logistics
- Science and research
- Healthcare and medical (white housing available)
- Solar cell inspection
- LCD panel inspection
- Multimedia and entertainment
- Intelligent traffic solutions (ITS)

Additionally, it is ideally suited for:

- Demanding OEM camera applications (board level versions with separate sensor board available on request)
- Daisy chaining (two copper connectors)