

Mako G G-192



- Teledyne e2v Sapphire CMOS sensor
- Switchable shutter modes
- Power over Ethernet
- 60 fps at full resolution

GigE Vision camera, Teledyne e2v CMOS sensor, 60 fps

The Mako G-192 is a 1.9 megapixel GigE machine vision camera that incorporates the high quality Type 1/1.8 (9 mm diagonal) Teledyne e2v Sapphire EV76C570 CMOS sensor. At full resolution, this camera runs 60 frames per second. With a smaller region of interest, higher frame rates are possible.

Mako G cameras have the same ultra-compact form factor and the same mounting positions as many analog cameras. All models include Power over Ethernet (PoE), two opto-isolated outputs, and a 64 MB image buffer. The image quality profits from the precisely aligned sensor. By default monochrome models ship with no optical filter and color models ship with IRC Hoya C-5000 IR cut filter.

Benefits and features:

- Monochrome (G-192B) and color (G-192C) models
- GigE Vision interface with Power over Ethernet
- Screw mount RJ45 Ethernet connector for secure operation in industrial environments
- Supports cable lengths up to 100 meters (CAT-5e or CAT-6)
- Comprehensive I/O functionality for simplified system integration
- Popular C-Mount lens mount
- Easy camera mounting via standard M3 threads on top and bottom of housing or optional tripod adapter
- Easy software integration with Allied Vision's [Vimba SDK](#) and compatibility to the most popular [third party image-processing libraries](#).
- Defect pixel masking feature with the Defect Mask Loader tool that allows you to manage a user defined defective pixel list to match your application and optimize the life cycle of the camera.
- Available with protection glass, IR cut filter, or IR pass filter



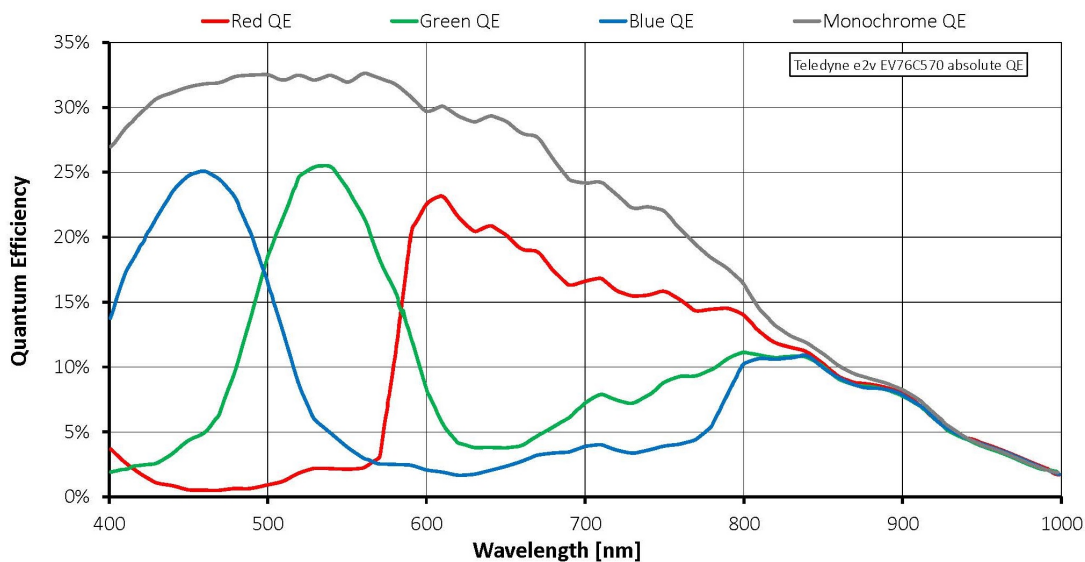
See the [Modular Concept](#) for lens mount and optical filter options.
See the [Customization and OEM Solutions](#) webpage for additional options.

Specifications

Mako G	G-192
インターフェイス	IEEE 802.3 1000BASE-T, IEEE 802.3af (PoE)
解像度	1600 (H) × 1200 (V)
センサー	Teledyne e2v EV76C570
Sensor type	CMOS
Shutter mode	Global, Global reset, and Rolling shutter
センサーサイズ	Type 1/1.8
ピクセルサイズ	4.5 μm × 4.5 μm
Lens mount (default)	C-Mount, CS-Mount, M12-Mount
フレームレート (フル解像度)	60 fps
ADC	10 Bit
Image buffer (RAM)	64 MByte
撮影性能	
Imaging performance data is based on the evaluation methods in the EMVA 1288 Release 3.1 standard for characterization of image sensors and cameras. Measurements are typical values for monochrome models measured at full resolution without optical filter. Contact Sales or AE for more information.	
量子効率 (529nm)	43 %
ダークノイズ	21.6 e ⁻
飽和電荷量	5500 e ⁻
ダイナミックレンジ	48.0 dB
限界感度	22.2 e ⁻
Output	
Bit depth	8/10 Bit
ビデオフォーマット(Mono)	Mono8, Mono10
ビデオフォーマット(YUV)	YUV411Packed, YUV422Packed, YUV444Packed
ビデオフォーマット(RGB)	RGB8Packed, BGR8Packed
ビデオフォーマット(Raw)	BayerGB8, BayerGB10
General purpose inputs/outputs (GPIOs)	
Opto-isolated I/Os	1 input, 3 outputs
Operating conditions/dimensions	
Operating temperature	+5 °C to +45 °C housing temperature
Power requirements (DC)	12 to 24 VDC AUX or 802.3at Type 1 PoE
消費電力	2.1 W at 12 VDC; 2.4 W PoE

Mako G	G-192
Mass	80 g (with C-Mount)
Body dimensions (L × W × H in mm)	60.5 × 29.2 × 29.2 (including connectors)
Regulations	CE: 2014/30/EU (EMC), 2011/65/EU, including amendment 2015/863/EU (RoHS); FCC Class B; CAN ICES-003

Quantum efficiency



Features

Image optimization features:

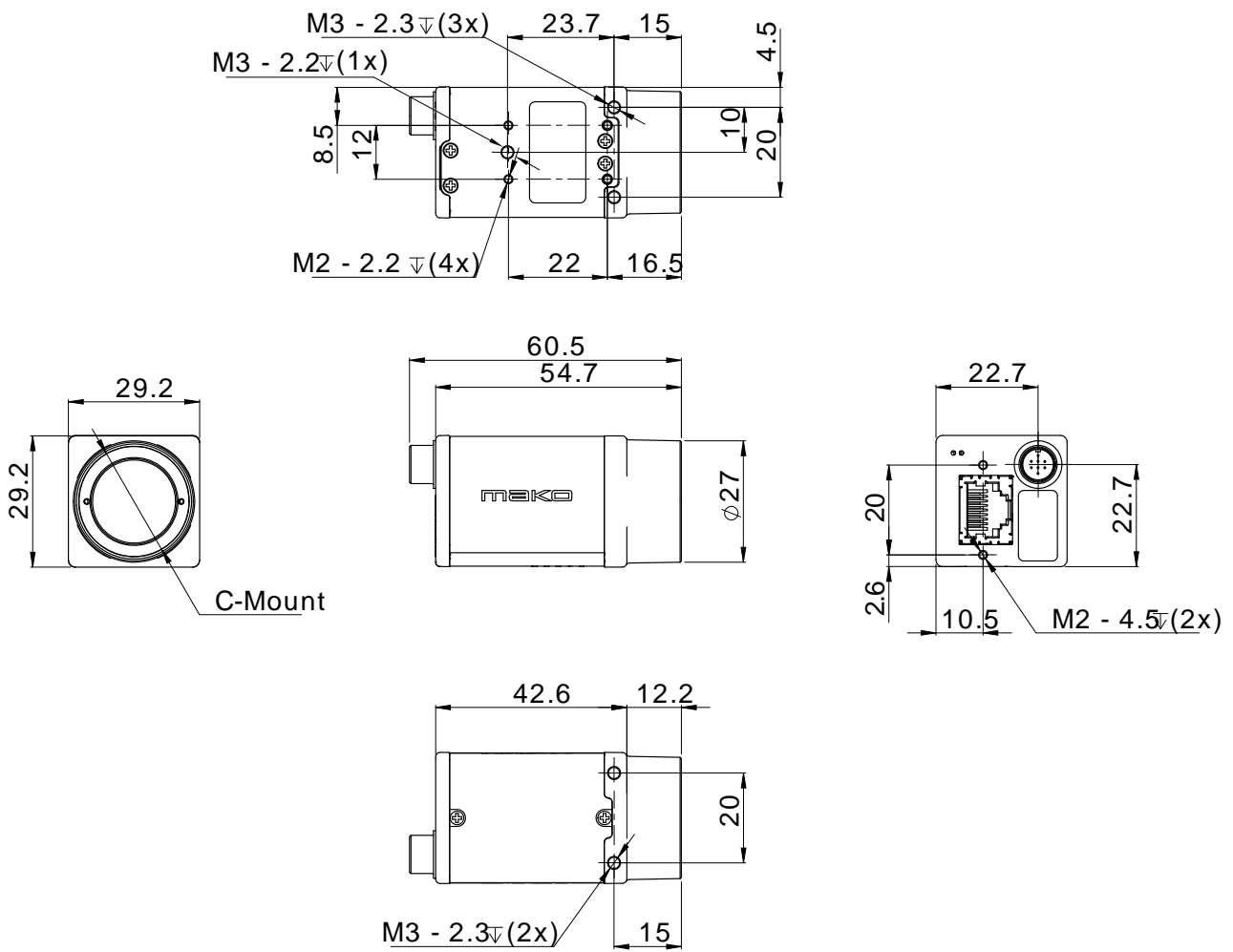
- Auto gain (manual gain control: 0 to 24 dB; 1 dB increments)
- Auto exposure (exposure time control varies by pixel format)
- Auto white balance (G-192C only)
- Binning (1x1 and 2x2 binning)
- Color correction, hue, saturation (G-192C only)
- Decimation
- Defect pixel masking (user defined with Defect Mask Loader tool)
- Gamma correction
- One look-up table (LUT)
- Region of interest (ROI), separate ROI for auto features
- Reverse X/Y



Camera control features:

- Event channel
- Image chunk data
- Storable user sets
- StreamBytesPerSecond (bandwidth control)
- Stream hold
- Sync out modes: Trigger ready, input, exposing, readout, imaging, strobe, GPO
- Switchable Rolling, Global, Global Reset shutter modes
- Temperature monitoring (main board only)

Technical drawing





Applications

Mako G-192 is ideal for a wide range of applications including:

- Robotics
- Quality control
- Inspection, surveillance
- Industrial imaging
- Machine vision
- Logistics