



Bigeye G G-1100 Cool

- Outstanding signal-to-noise ratio
- Exposure time up to more than 4200 s
- 10 Megapixel resolution

11 Megapixel CCD camera, cooled OnSemi 35mm sensor

The Bigeye G-1100B Cool is a high-resolution cooled CCD camera. It includes a sensitive 35mm ON Semi sensor. Due to the cooling to 0 °C, this camera features high-resolution imaging with outstanding signal-to-noise ratio.

Benefits and features:

- GigE Vision, multi-functional, user-configurable I/O interface
- ON Semi KAI-11002 sensor, 4024 x 2680 pixels, quantum efficiency at 530 nm: 59%, peltier cooled to 0 °C, Exposure time up to 4292 s (\approx 71 min)
- Reliable operation under rough industrial conditions

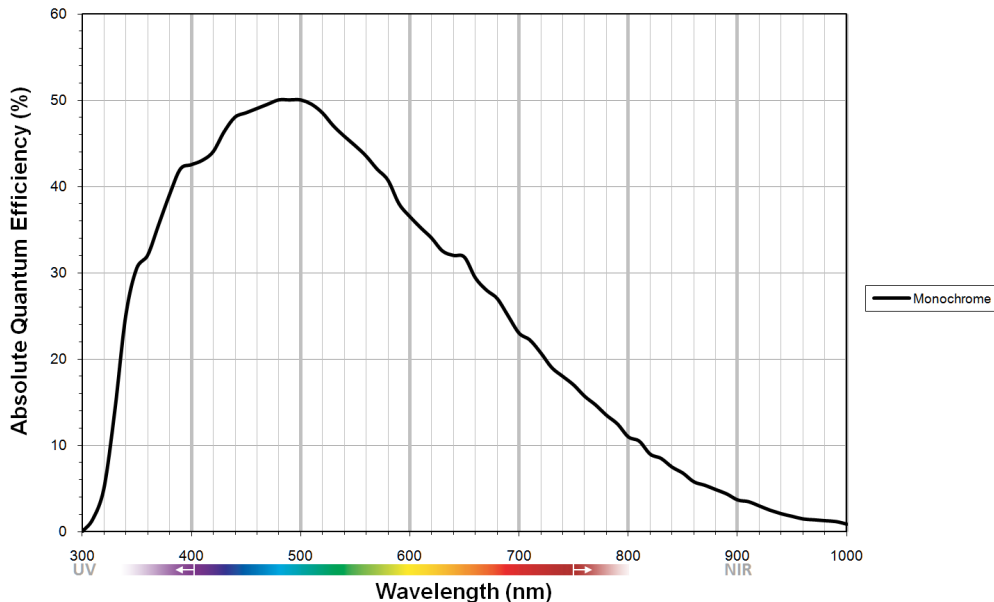
Specifications

Bigeye G	G-1100 Cool
インターフェイス	IEEE 802.3 1000baseT
解像度	4024 (H) × 2680 (V)
センサー	ON Semi KAI-11002
Sensor type	CCD Progressive
センサーサイズ	Type 35 mm
ピクセルサイズ	9 μ m × 9 μ m
Lens mount (default)	F-Mount
フレームレート (フル解像度)	1.58 fps
ADC	14 Bit
Image buffer (RAM)	32 MByte

撮影性能

Bigeye G	G-1100 Cool
Cooling temperature	0 °C
Dark current	0.010 e-/pixel/s
ダークノイズ	40 e-
飽和電荷量	54000 e-
ダイナミックレンジ	63 dB
Output	
Bit depth	12 Bit
ビデオフォーマット(Mono)	Mono8, Mono12, Mono12Packed
General purpose inputs/outputs (GPIOs)	
TTL I/Os	1/1
Opto-isolated I/Os	3/3
RS232	2
Operating conditions/dimensions	
Operating temperature	0 °C to 35 °C
消費電力	max. <36 W at 12 VDC, typ. <18 W at 12 VDC
Mass	1320 g
Body dimensions (L × W × H in mm)	132.8 × 90 × 99 (including connectors)
Regulations	CE: 2014/30/EU (EMC), 2011/65/EU (RoHS)

Quantum efficiency





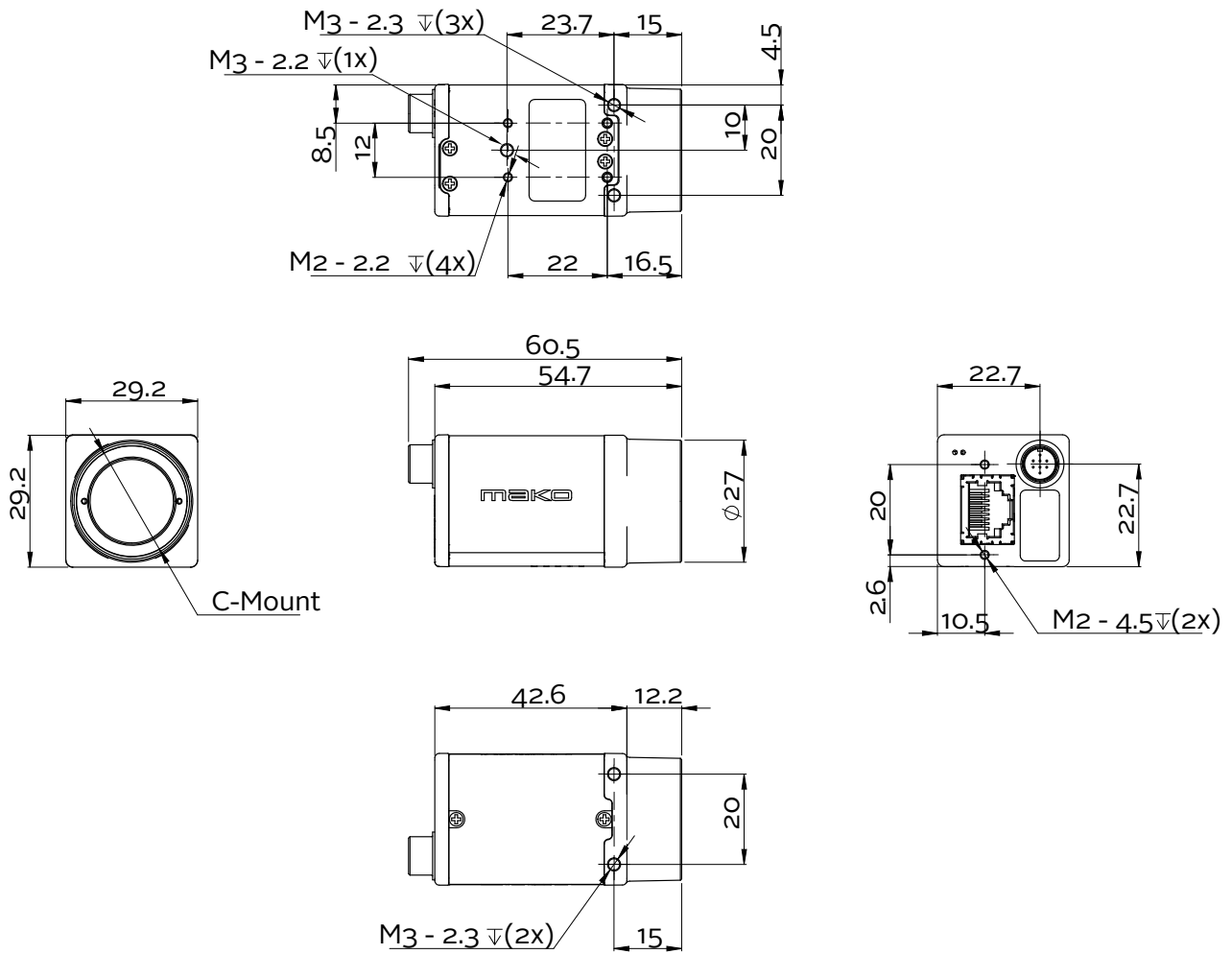
Features

- Gain (6 dB)
- Exposure time 1394 μ s to \approx 71 minutes
- Binning (1x2, 2x1, 2x2)
- Gamma (0.45, 0.5, 0.7)
- Three look-up tables (LUTs)
- Five storable user sets

Easy integration

The Bigeye G-1100B Cool can be easily integrated into your application, since it is GigE Vision compliant and compatible with Allied Vision's GigE SDKs. Additionally, this camera can be used with numerous third-party software solutions.

Technical drawing





Applications

The Bigeye G-1100B Cool is the perfect choice for image acquisition with high resolution and low noise. Long exposure times with the cooled sensor produce images with outstanding image quality.

Typical applications:

- Low-noise imaging (industrial and scientific imaging)
- Image acquisition with long exposure times
- Microscopy with high resolution
- Fluorescence microscopy
- Gel electrophoresis, DNA documentation
- Non-destructive evaluation of photosensitive objects
- Astronomy