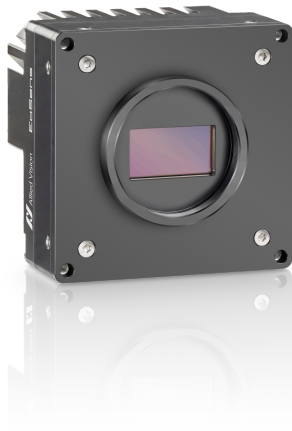


# EoSens CoaXPress- 12

EoSens10CCX12-M42



## General

Model:	EoSens10CCX12-M42
Product code:	F006232
Product series:	EoSens CoaXPress-12
Status:	Available

## Sensor

Sensor type:	Area scan
Chroma:	Color
Spectrum:	Visible
Spectral range:	350 nm to 1000 nm
Resolution:	4,608 × 2,176 (10.00 MP)
Sensor model:	Gpixel GSPRINT4510
Sensor architecture (material):	cmos
Shutter type(s):	global-shutter
Sensor size:	20.74 × 9.79 mm (22.93 mm, 4/3)
Pixel size:	4.50 μm × 4.50 μm

## Pixel formats

Sensor bit depth:	8-Bit,12-Bit
RGB pixel formats:	bayer8, bayer12

## Imaging performance

Dynamic range: 68.8 dB

## Timing and gain

Max. frame rate: 482 fps

Max. frame rate ROI modes: 4608 x 2176 | 478 fps,

Exposure time: 1  $\mu$ s to 1 s

Gain: 0.0 dB to 12.0 dB

## I/Os and power

Non-isolated lines: 0 x LVDS input, 0 x LVDS output, 0 x TTL input, 0 x TTL output, 2 x 24V input, 0 x Open drain output,

Specific non-isolated lines: 0 x RS232 input, 0 x RS232 output, 0 x RS422 input, 0 x RS422 output,

Opto-isolated lines: 0 x Optical isolated input, 0 x Optical isolated input,

I/O connector: 2

Power supply: 12 to 24VDC, Power over CoaXPress

Power consumption: External: 20 W (typical)

## Mechanical properties

Body dimensions (L x W x H in mm): 55 x 80 x 80

Filter/protection glass: UV/IR Filter

IP class: IP30

Lens mount(s): M42x0.75

Weight: 630 g

## Interfaces

Digital interface: cxp-12 with 4 connections

Interface connector: (micro-BNC)

## FW features - image control

Exposure modes: external

Gain modes: Digital, Analog

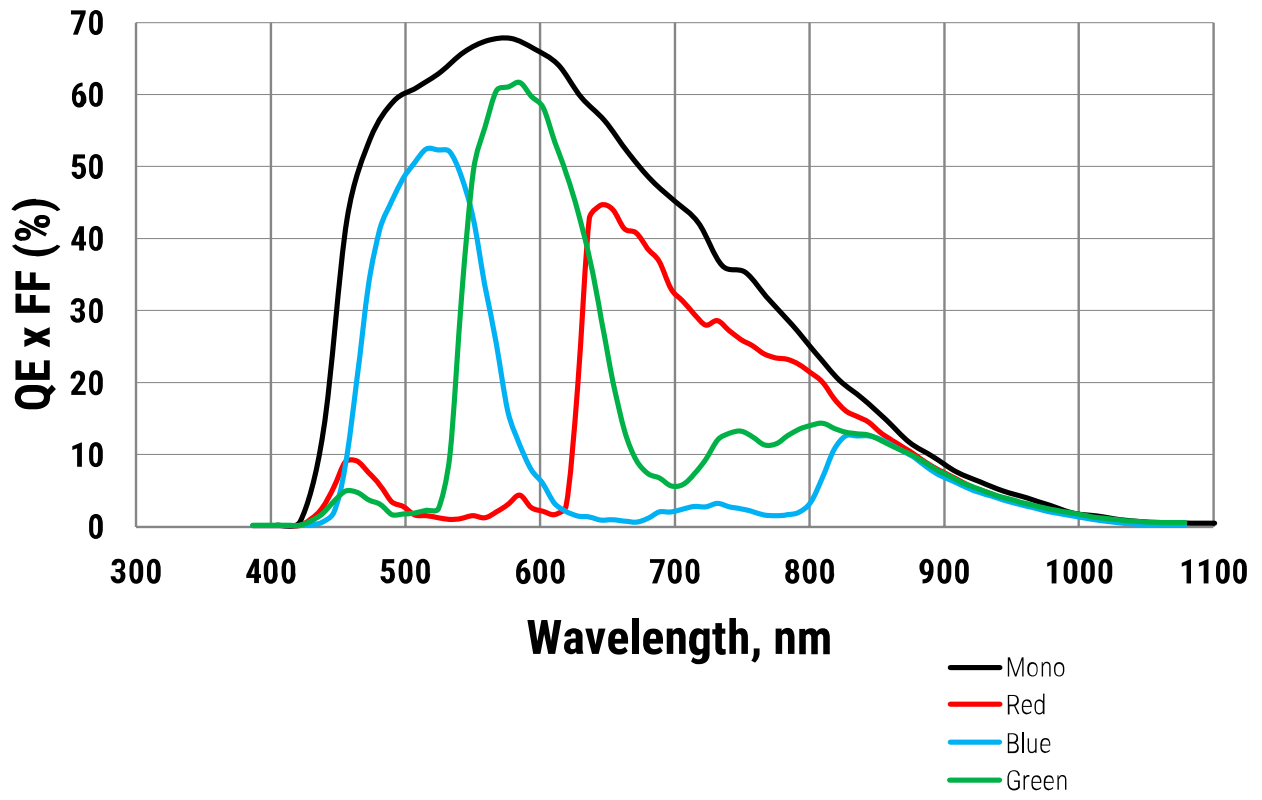
White balance modes: true

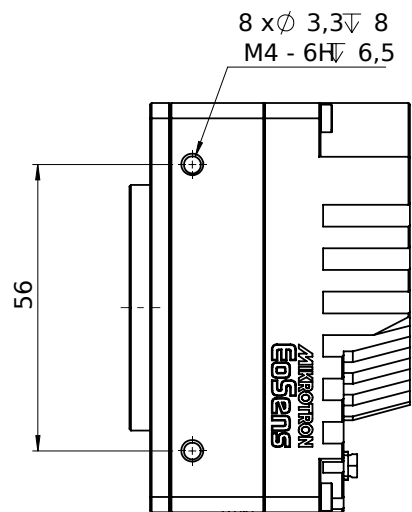
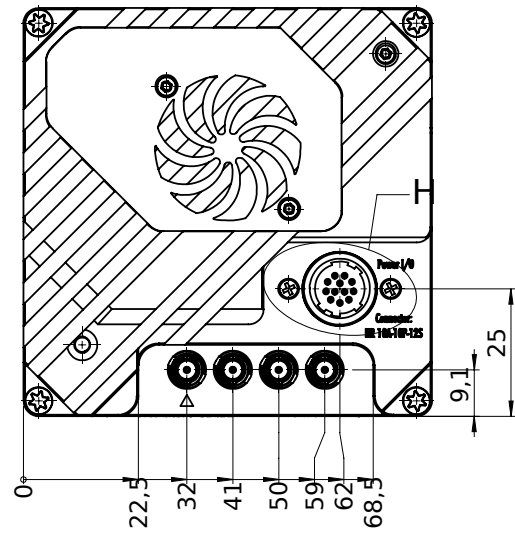
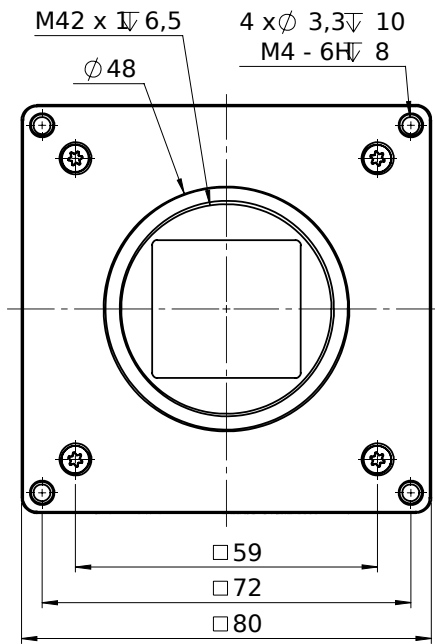
Image control features: FW Features - Image Control

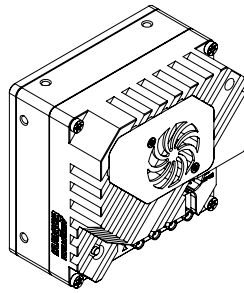
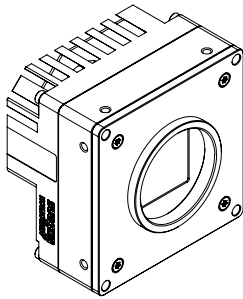
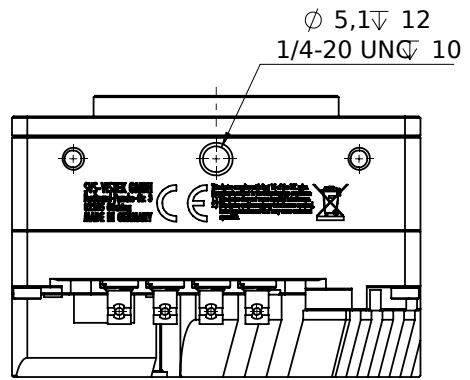
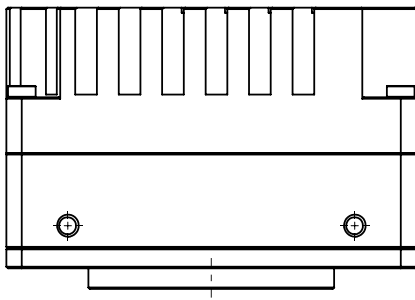
## FW features - camera control

Trigger modes/sync: External TTL Signal, CXP-Trigger

# Quantum Efficiency







## I/O pin assignment

	Pin	Signal	Pin	Signal
	1 + 12	GND	6	IN0
	2 + 11	VCC (12-24V)	7	IO <sub>GND</sub>
	3	IO <sub>GND</sub>	8	OUT1
	4	OUT0	9	IO <sub>GND</sub>
	5	IO <sub>GND</sub>	10	IN1