



EoSens CoaXPress-12

EoSens2.0CCX12-CM

General

| | |
|-----------------|---------------------|
| Model: | EoSens2.0CCX12-CM |
| Product code: | F006009 |
| Product series: | EoSens CoaXPress-12 |
| Status: | Available |

Sensor

| | |
|---------------------------------|--------------------------------|
| Sensor type: | Area scan |
| Chroma: | Color |
| Spectrum: | Visible |
| Spectral range: | 400 nm to 1000 nm |
| Resolution: | 1,920 × 1,080 (2.00 MP) |
| Sensor model: | Luxima Lux19HS |
| Sensor architecture (material): | cmos |
| Shutter type(s): | global-shutter |
| Sensor size: | 19.2 × 10.8 mm (22.03 mm, 4/3) |
| Pixel size: | 10.00 μm × 10.00 μm |

Pixel formats

| | |
|--------------------|-----------------|
| Sensor bit depth: | 8-Bit,10-Bit |
| RGB pixel formats: | bayer8, bayer10 |

Timing and gain

| | |
|----------------------------|--|
| Max. frame rate: | 2247 fps |
| Max. frame rate ROI modes: | 1920 x 1080 2247 fps, 1024 x 768 3152 fps, 640 x 480 5020 fps, 128 x 128 18177 fps, 1920 x 8 170578 fps, x 170575 fps, |
| Exposure time: | 2 μ s to 1 s |
| Gain: | 0.0 dB to 18.0 dB |

I/Os and power

| | |
|------------------------------|---|
| Non-isolated lines: | 0 x LVDS input, 0 x LVDS output, 0 x TTL input, 0 x TTL output, 2 x 24V input, 0 x Open drain output, |
| Specific non-isolated lines: | 0 x RS232 input, 0 x RS232 output, 0 x RS422 input, 0 x RS422 output, |
| Opto-isolated lines: | 0 x Optical isolated input, 0 x Optical isolated input, |
| I/O connector: | 2 |
| Power supply: | 12 to 24VDC, Power over CoaXPress |
| Power consumption: | External: 13 W (typical) |

Operating conditions

| | |
|----------------------------------|-----------------|
| Operating temperature (housing): | -10 °C to 65 °C |
|----------------------------------|-----------------|

Mechanical properties

| | |
|------------------------------------|--------------|
| Body dimensions (L x W x H in mm): | 55 x 80 x 80 |
| Filter/protection glass: | UV/IR Filter |
| IP class: | IP30 |
| Lens mount(s): | C-Mount |
| Weight: | 500 g |

Interfaces

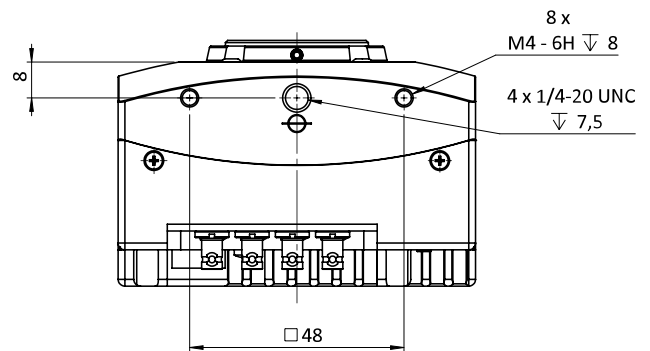
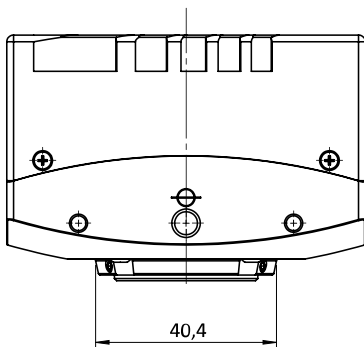
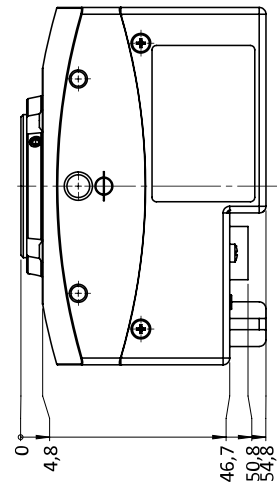
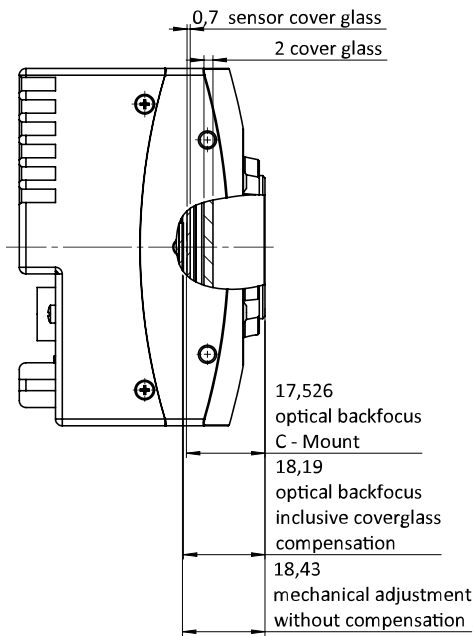
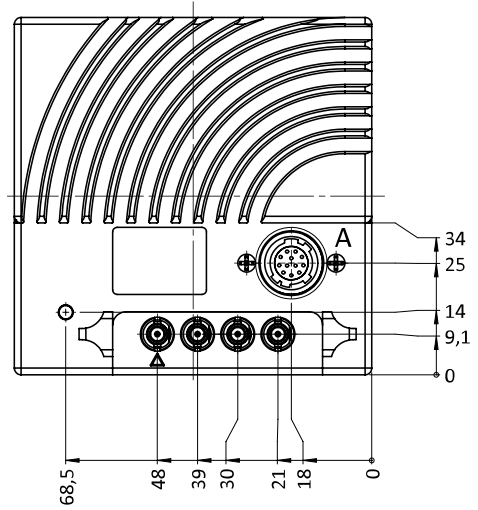
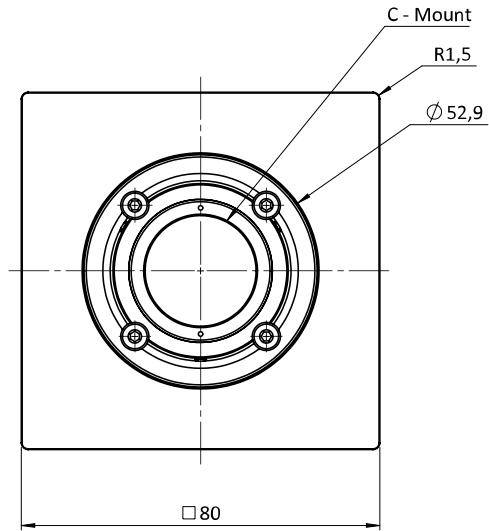
| | |
|----------------------|---------------------------|
| Digital interface: | cxp-12 with 4 connections |
| Interface connector: | (micro-BNC) |

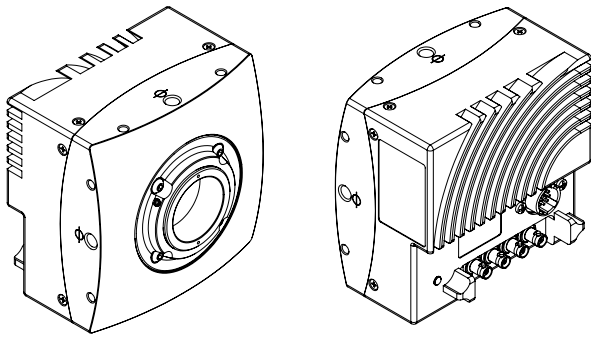
FW features - image control

| | |
|-------------------------|-----------------------------|
| Exposure modes: | external |
| Gain modes: | Digital, Analog |
| Image control features: | FW Features - Image Control |

FW features - camera control

| | |
|---------------------|----------------------------------|
| Trigger modes/sync: | External TTL Signal, CXP-Trigger |
|---------------------|----------------------------------|





I/O pin assignment

| | Pin | Signal | Pin | Signal |
|--|--------|-------------------|-----|-------------------|
| | 1 + 12 | GND | 6 | IN0 |
| | 2 + 11 | VCC (12-24V) | 7 | IO _{GND} |
| | 3 | IO _{GND} | 8 | OUT1 |
| | 4 | OUT0 | 9 | IO _{GND} |
| | 5 | IO _{GND} | 10 | IN1 |