

Prosilica GE

1900



- 30 fps @ full resolution
- ON Semiconductor KAI-2093 sensor
- Galvanically isolated I/O
- Various lens mount options

For speed and good sensitivity

Compact, high performance CCD machine vision cameras with GigE Vision

Prosilica GE 1900 搭载 ON Semi KAI-2093 传感器，在 2.1 MP 分辨率下速度可达 30.0 帧/秒。

Prosilica GE cameras are very compact, high-performance machine vision cameras with Gigabit Ethernet interface (GigE Vision®).

The GigE interface allows for very fast frame rates and long cable lengths.

- Compact size
- VGA to 16 Megapixel resolution
- Fast frame rates to 205 fps
- OnSemi KAI CCD sensors
- Modular options available

性能参数

| | |
|----------|----------------------|
| 接口 | IEEE 802.3 1000baseT |
| 分辨率 | 1920 (H) × 1080 (V) |
| 传感器 | ON Semi KAI-2093 |
| 传感器类型 | CCD Progressive |
| 传感器尺寸 | Type 1 |
| 像元尺寸 | 7.4 μm × 7.4 μm |
| 标准镜头接口 | C-Mount |
| 最大满帧帧率 | 30 fps |
| ADC | 12 Bit |
| 缓存 (RAM) | 32 MByte |

输出

| | |
|--------|-----------------------------|
| Bit 位数 | 8-bit or 12-bit |
| 黑白像素格式 | Mono8, Mono12, Mono12Packed |

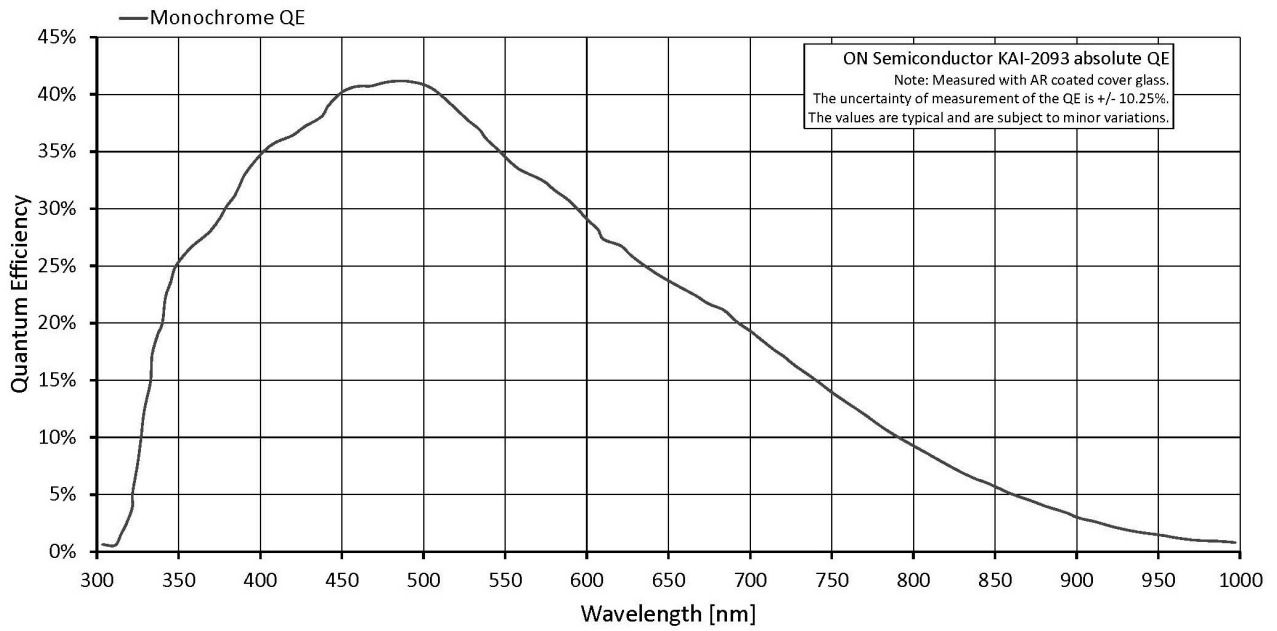
通用输入输出 (GPIOs)

| | |
|----------|--|
| TTL I/Os | 1 input, 3 outputs (with galvanic isolation) |
| RS232 | 1 |

工作条件/尺寸

| | |
|----------------------|---|
| 工作温度 | 0 °C to +50 °C ambient (without condensation) |
| 电源要求 (DC) | 5 to 24 VDC |
| 功耗 | 5 W at 12 VDC |
| 重量 | 169 g |
| 尺寸 (L × W × H in mm) | 80 × 51 × 39 (including connectors) |

量子转换效率

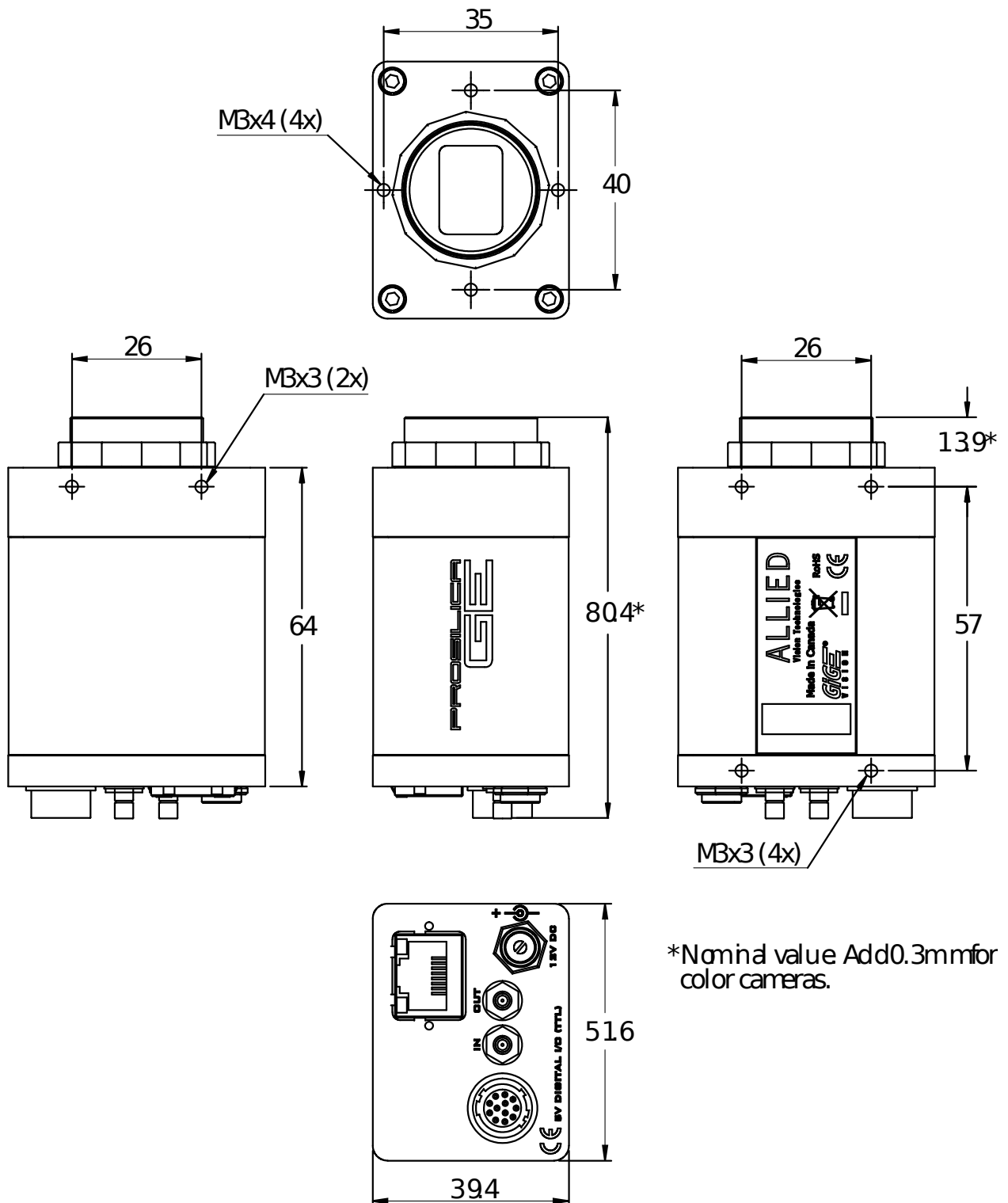


特性

Prosilica GE1900 features include:

- Region of interest (ROI), (selectable ROI for auto features)
- Binning (Sum)
- Auto gain (manual gain control: 0 to 34 dB)
- Auto exposure (manual exposure controls: 50 μ s to 53.7 s)
- StreamBytesPerSecond (bandwidth control)
- Stream hold
- Sync out modes: Trigger ready, input, exposing, readout, imaging, strobe, GPO
- Global shutter (digital shutter)
- Recorder and Multiframe acquisition modes
- Event channel
- Image chunk data
- Storable user sets

外形尺寸



应用场景

Prosilica GE1900 is ideal for a wide range of applications including:

- Industrial inspection
- Machine vision
- LCD panel inspection
- Medical imaging
- Ophthalmology
- Aeronautical and aerospace
- Public security
- Surveillance
- Traffic imaging
- OEM applications