



- IEEE 1394a camera
- Modular design
- Robust housing
- Machine vision camera

### **Robust housing, modular design**

Compact, flexible, modular IEEE 1394a XGA C-Mount camera

Marlin F-033 搭载 Sony ICX414 传感器，在 0.3 MP 分辨率下速度可达 73.0 帧/秒。

Acclaimed bestseller digital IEEE 1394 machine vision camera

The Marlin is Allied Vision's classical most-sold IEEE 1394 machine vision camera. Since 2004, many thousand Marlins are part of various different image processing applications. Due to its modular design (angled head, side-entry connectors, Modular Concept), it fits with almost every application.

- IEEE 1394a (400 Mb/s)
- Sony CCD sensors (1/3, 1/2, 1/1.8), 2/3 CMOS sensor
- 7 models (VGA to 2 Megapixel)
- Options
  - Various IR cut/pass filters
  - CS-Mount
  - Angled head
  - Lateral cable exit
  - White medical housing

## 性能参数

接口	IEEE 1394a - 400 Mb/s, 1 port
分辨率	656 (H) × 494 (V)
传感器	Sony ICX414
传感器类型	CCD Progressive
传感器尺寸	Type 1/2
像元尺寸	9.9 μm × 9.9 μm
标准镜头接口	C-Mount
最大满帧帧率	73 fps
ADC	12 Bit
缓存 (RAM)	8 MByte

## 输出

Bit 位数	8-bit to 10-bit
黑白像素格式	Mono8, Mono16
RGB 彩色像素格式	RGB8
原始像素格式	Raw8

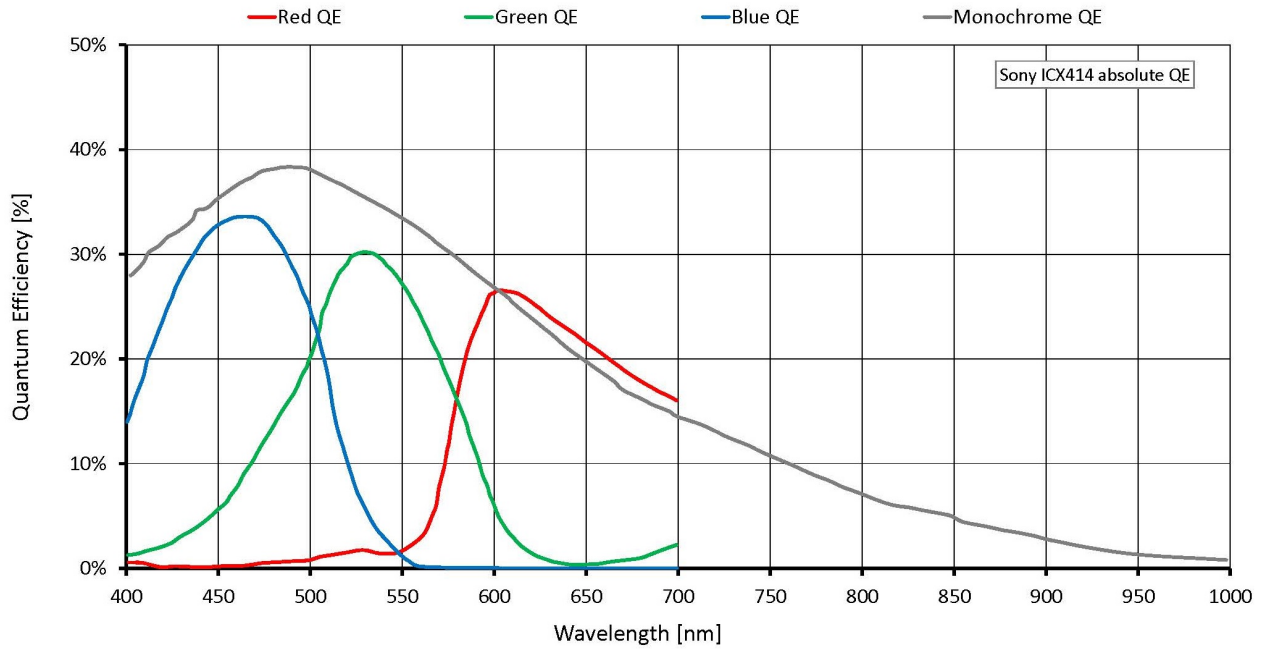
## 通用输入输出口 (GPIOs)

光耦 I/Os	2 inputs, 2 outputs
RS232	1

## 工作条件/尺寸

工作温度	+5 °C to +45 °C
电源要求 (DC)	8 V to 36 V
功耗	<3 W (@ 12 VDC)
重量	<120 g
尺寸 (L × W × H in mm)	72 × 44 × 29 (including connectors)

## 量子转换效率

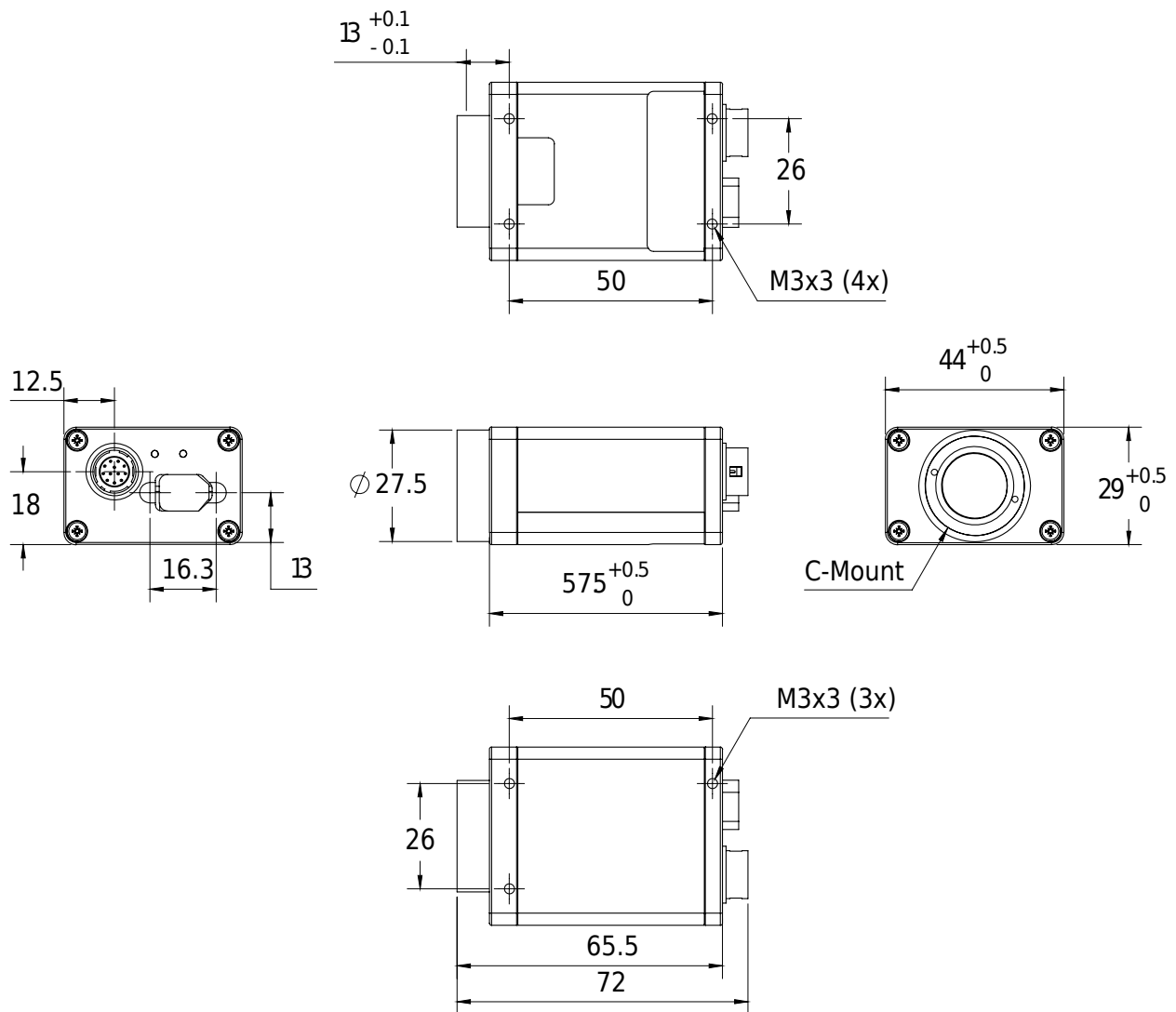


## 特性

Marlin cameras are equipped with many useful real-time image pre-processing functions. They are performed by the FPGA inside the camera – with no additional CPU load on the host, so that an inexpensive system is sufficient.

- Programmable look-up table (LUT), white balance, hue, saturation
- Debayering
- Gain
  - Auto/manual
  - Manual gain control: 0 to 24 dB
- Exposure
  - Auto/manual
  - Exposure time: 32  $\mu$ s to 67 s
- Color correction
- Shading correction
- Sub-sampling, 2x binning (b/w)
- Area of interest (AOI) with speed increase
- Sequence mode - changes the image settings on the fly
- Image mirror
- Deferred image transport
- SIS (secure image signature, time stamp for trigger, frame count)
- Storable user settings

## 外形尺寸



## 应用场景

With its modular and flexible design and the real-time pre-processing functions, this Marlin camera fits for many applications:

- Machine vision
- Quality control
- Semiconductor inspection
- Industrial inspection