

Prosilica GE

1660



- 34 fps @ full resolution
- ON Semi KAI-02050 sensor
- Galvanically isolated I/O
- Various lens mount options

For speed and good sensitivity

Compact, high performance CCD machine vision cameras with GigE Vision

Prosilica GE 1660 with ON Semi KAI-02050 runs 34.0 frames per second at 1.9 MP resolution.

Prosilica GE cameras are very compact, high-performance machine vision cameras with Gigabit Ethernet interface (GigE Vision®).

The GigE interface allows for very fast frame rates and long cable lengths.

- Compact size
- VGA to 16 Megapixel resolution
- Fast frame rates to 205 fps
- OnSemi KAI CCD sensors
- Modular options available

Specifications

Interface	IEEE 802.3 1000baseT
Resolution	1600 (H) × 1200 (V)
Sensor	ON Semi KAI-02050
Sensor type	CCD Progressive
Sensor size	Type 2/3
Pixel size	5.5 μm × 5.5 μm
Lens mount (default)	C-Mount
Max. frame rate at full resolution	34 fps
ADC	12 Bit
Image buffer (RAM)	32 MByte

Output

Bit depth	8-bit or 12-bit
Monochrome pixel formats	Mono8, Mono12, Mono12Packed
YUV color pixel formats	YUV411Packed
RGB color pixel formats	RGB8Packed, BGR8Packed, RGBA8Packed, BGRA8Packed, RGB12Packed
Raw pixel formats	BayerGR8, BayerGR12, BayerGR12Packed

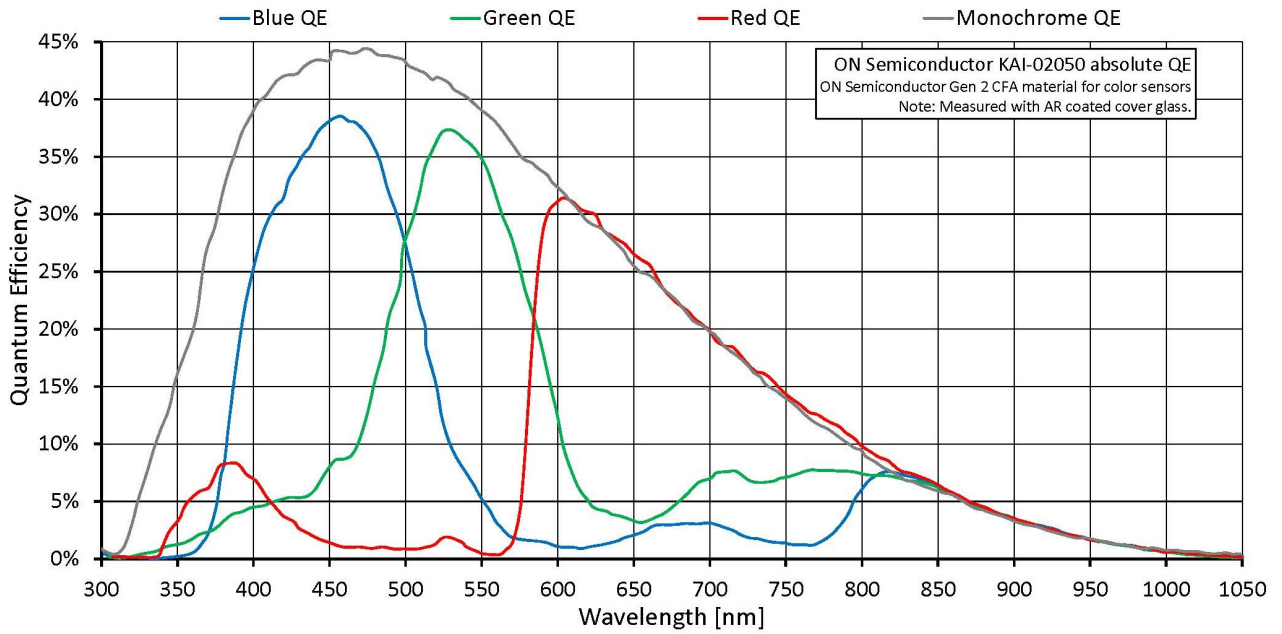
General purpose inputs/outputs (GPIOs)

TTL I/Os	1 input, 3 outputs (with galvanic isolation)
RS232	1

Operating conditions/dimensions

Operating temperature	0 °C to +50 °C ambient (without condensation)
Power requirements (DC)	5 to 24 VDC
Power consumption	5 W at 12 VDC
Mass	178 g
Body dimensions (L × W × H in mm)	80 × 51 × 39 (including connectors)

Quantum efficiency

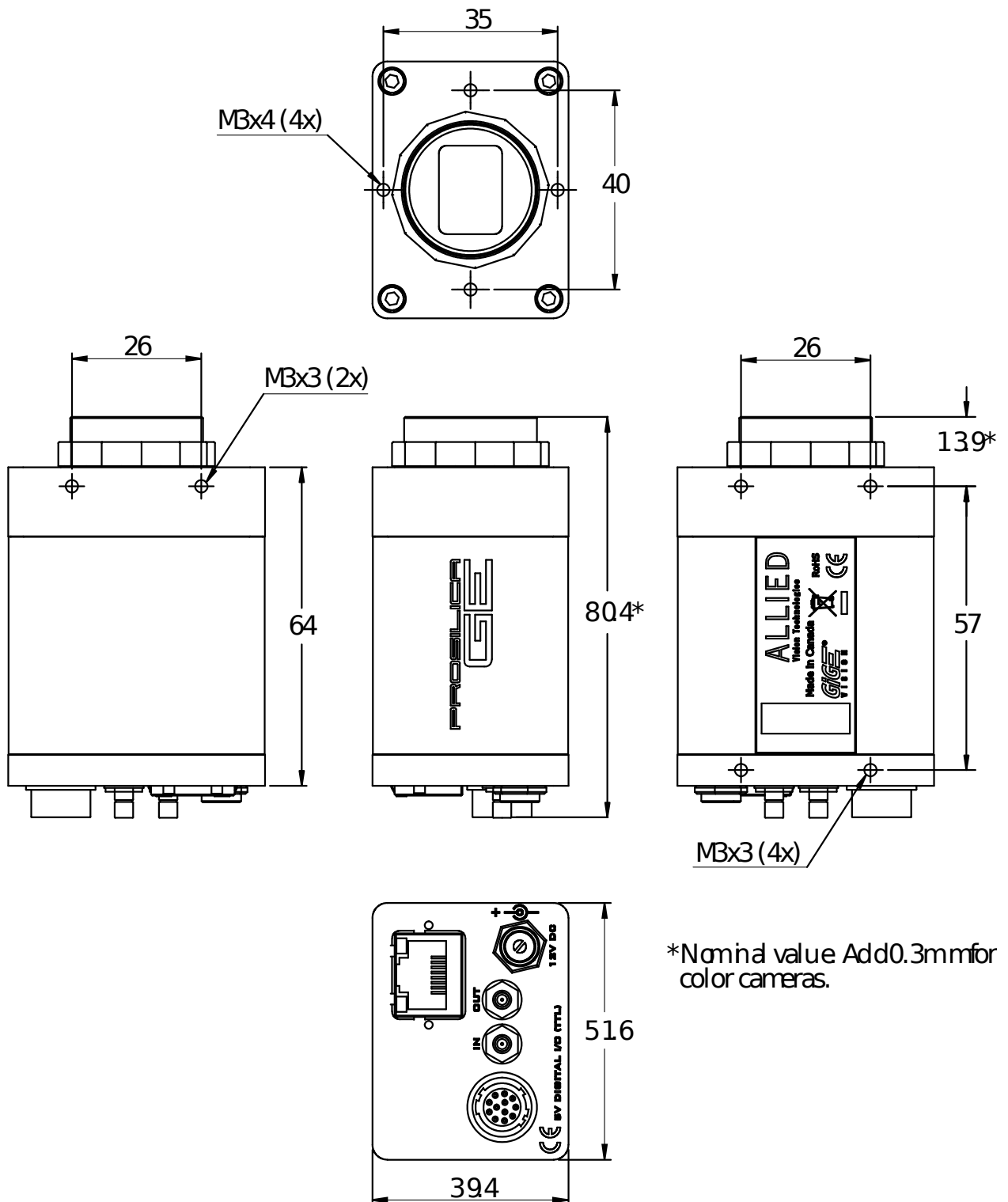


Features

Prosilica GE1660 features include:

- Region of interest (ROI), DSP subregion (selectable ROI for auto features)
- Binning (Sum)
- Auto gain (manual gain control: 0 to 34 dB)
- Auto exposure (manual exposure controls: 10 μ s to 53.7 s)
- Auto white balance
- StreamBytesPerSecond (bandwidth control)
- Stream hold
- Sync out modes: Trigger ready, input, exposing, readout, imaging, strobe, GPO
- Global shutter (digital shutter)
- Recorder and Multiframe acquisition modes
- Event channel
- Image chunk data
- Storable user sets

Technical drawing



*Nominal value Add 0.3mm for color cameras.

Applications

Prosilica GE1660 is ideal for a wide range of applications including:

- Industrial inspection
- Machine vision
- LCD panel inspection
- Medical imaging
- Ophthalmology
- Aeronautical and aerospace
- Public security
- Surveillance
- Traffic imaging
- OEM applications