



# Guppy PRO

F-201

- Compact 2 MP camera
- Robust metal housing
- Sony ICX274
- Optocoupled I/Os

## Concentrated simplicity

Guppy PRO – Small economical FireWire camera

Guppy PRO F-201 with Sony ICX274 runs 14.0 frames per second at 2.0 MP resolution.

The Guppy PRO is Allied Vision's smallest economical FireWire camera. Its ultra-compact and extremely robust industrial housing unites quality with performance and enables it to be integrated in the smallest spaces. The wide range of CCD and CMOS sensors with a range of different resolutions enables you to choose the ideal Guppy PRO for your particular needs.

Easy software integration with [Allied Vision's Vimba Suite](#) and compatibility to the most popular third party image-processing libraries.

See the [Customization and OEM Solutions webpage](#) for hardware options.

## Specifications

Interface	IEEE 1394b - 800 Mb/s, 1 port
Resolution	1624 (H) × 1234 (V)
Sensor	Sony ICX274
Sensor type	CCD Progressive
Sensor size	Type 1/1.8
Pixel size	4.4 μm × 4.4 μm
Lens mount (default)	C-Mount
Max. frame rate at full resolution	14 fps
ADC	12 Bit

### Output

Bit depth	8-bit to 12-bit
Monochrome pixel formats	8/12/16
RGB color pixel formats	RGB8
Raw pixel formats	8/12/16

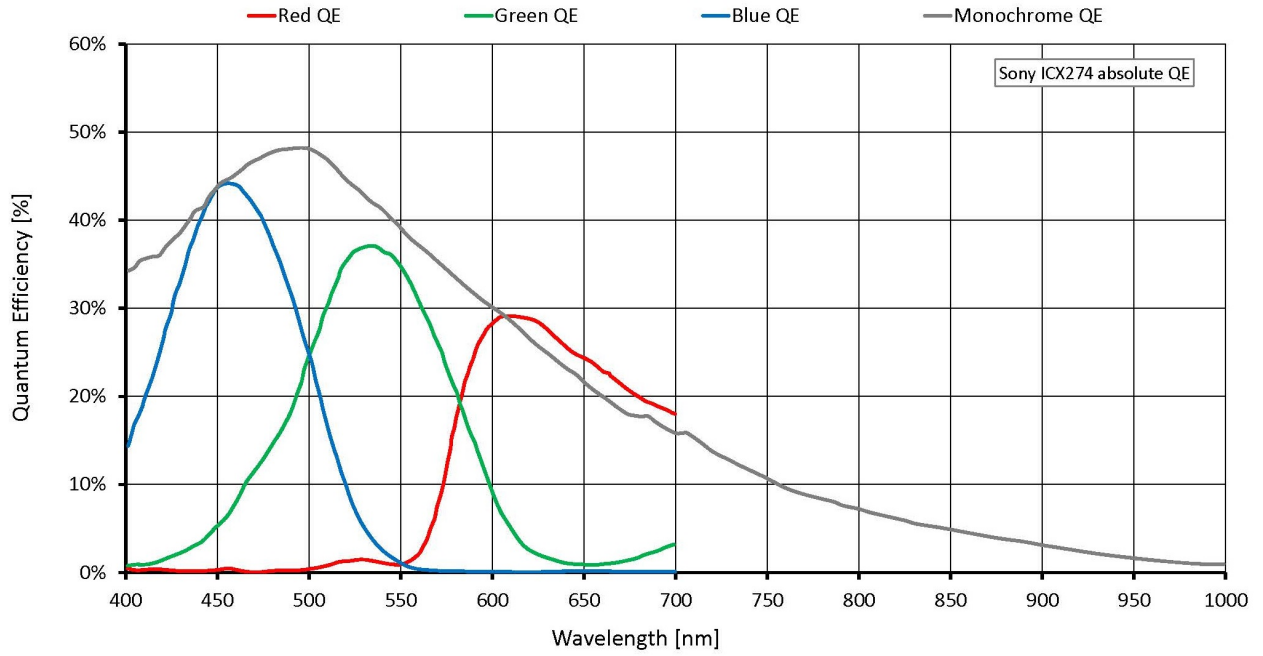
### General purpose inputs/outputs (GPIOs)

Opto-isolated I/Os	1/3
--------------------	-----

### Operating conditions/dimensions

Operating temperature	+5 °C to +45 °C
Power requirements (DC)	8 V to 36 V
Power consumption	<3.5 W (@ 12 VDC)
Mass	80 g
Body dimensions (L × W × H in mm)	44.8 × 29 × 29 (including connectors)

## Quantum efficiency



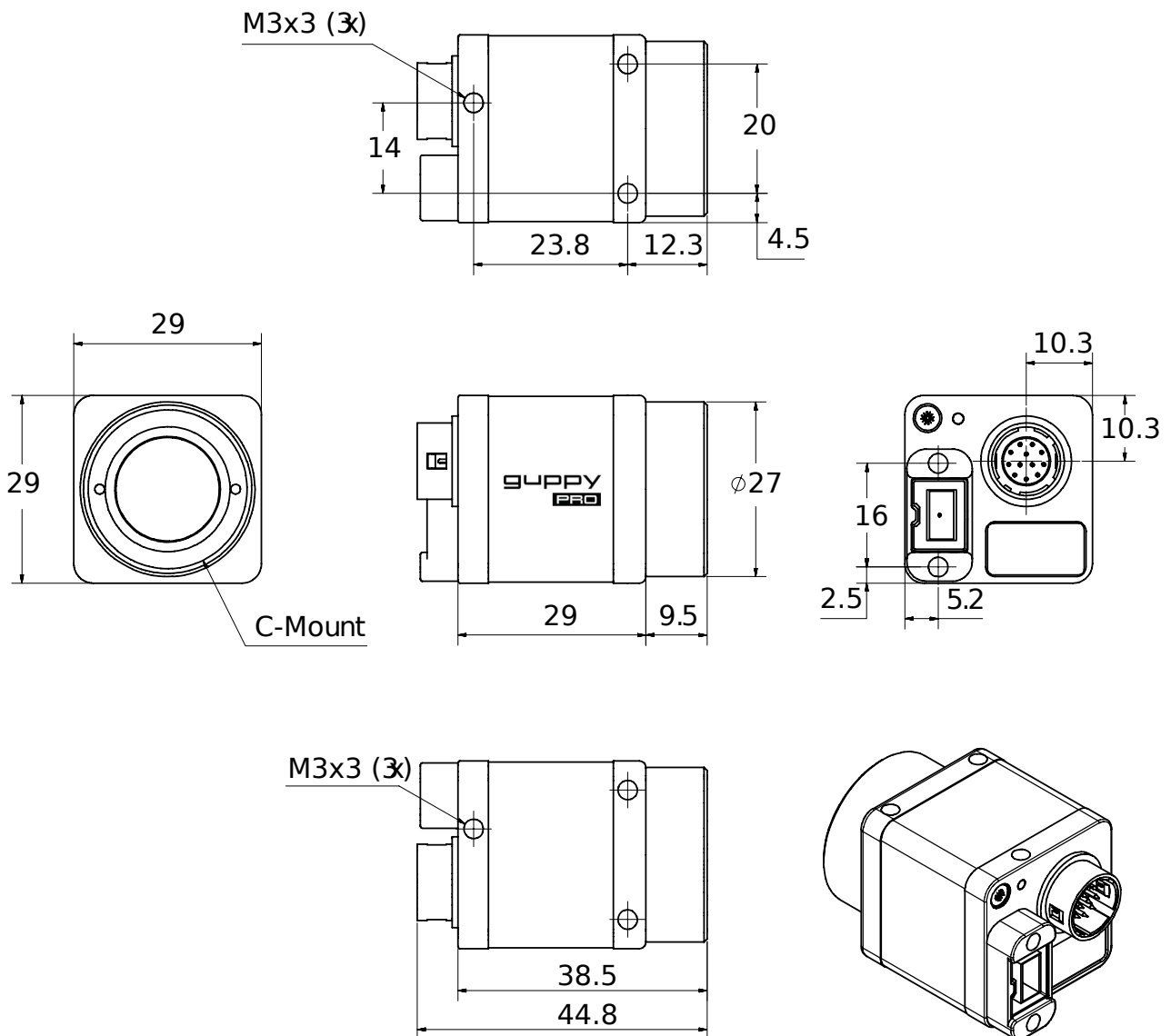
## Features

- Look-up table (LUT)
- Gamma correction
- Color correction
- Area of interest (AOI), separate AOI for auto features
- Binning
- Sub-sampling
- Auto gain (manual gain control: 0 to 24.4 dB)
- Auto exposure (55  $\mu$ s to 67 s)
- Trigger programmable, level, single, bulk, programmable delay
- Storable user sets

## Scope of delivery

- Camera and IEEE 1394b cable (other configurations on request)

## Technical drawing



## Applications

The Guppy PRO F-201B/F-201C suits particularly well for applications with space constraints. Besides this, it has an excellent price/performance ratio.

Typical applications:

- Machine vision
- Robotics
- Logistics
- Pharmaceutical industry
- Multimedia

- ITS/traffic monitoring