



# Guppy PRO

F-095

- Color camera
- ideal for 720p
- Low-light camera
- High NIR sensitivity

## Concentrated simplicity

Guppy PRO – Small economical FireWire camera

Guppy PRO F-095 with Sony ICX692 runs 38.0 frames per second at 0.9 MP resolution.

The Guppy PRO is Allied Vision's smallest economical FireWire camera. Its ultra-compact and extremely robust industrial housing unites quality with performance and enables it to be integrated in the smallest spaces. The wide range of CCD and CMOS sensors with a range of different resolutions enables you to choose the ideal Guppy PRO for your particular needs.

Easy software integration with [Allied Vision's Vimba Suite](#) and compatibility to the most popular third party image-processing libraries.

See the [Customization and OEM Solutions webpage](#) for hardware options.

## Specifications

Interface	IEEE 1394b - 800 Mb/s, 1 port
Resolution	1280 × 720
Sensor	Sony ICX692
Sensor type	CCD Progressive
Sensor size	Type 1/3
Pixel size	4.08 μm × 4.08 μm
Lens mount (default)	C-Mount
Max. frame rate at full resolution	38 fps
ADC	14 Bit

### Output

Bit depth	8-bit to 14-bit
Monochrome pixel formats	8/12/16
RGB color pixel formats	RGB8
Raw pixel formats	8/12/16

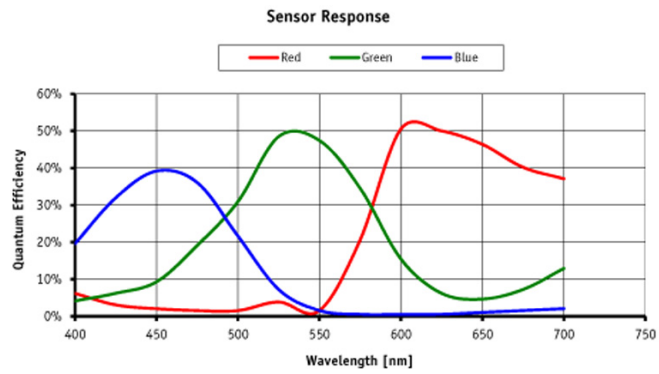
### General purpose inputs/outputs (GPIOs)

Opto-isolated I/Os	1/3
--------------------	-----

### Operating conditions/dimensions

Operating temperature	+5 °C ... +45 °C
Power requirements (DC)	8 V - 36 V
Power consumption	<3.5 W
Mass	80 g
Body dimensions (L × W × H in mm)	44.8 × 29 × 29 mm incl. connectors

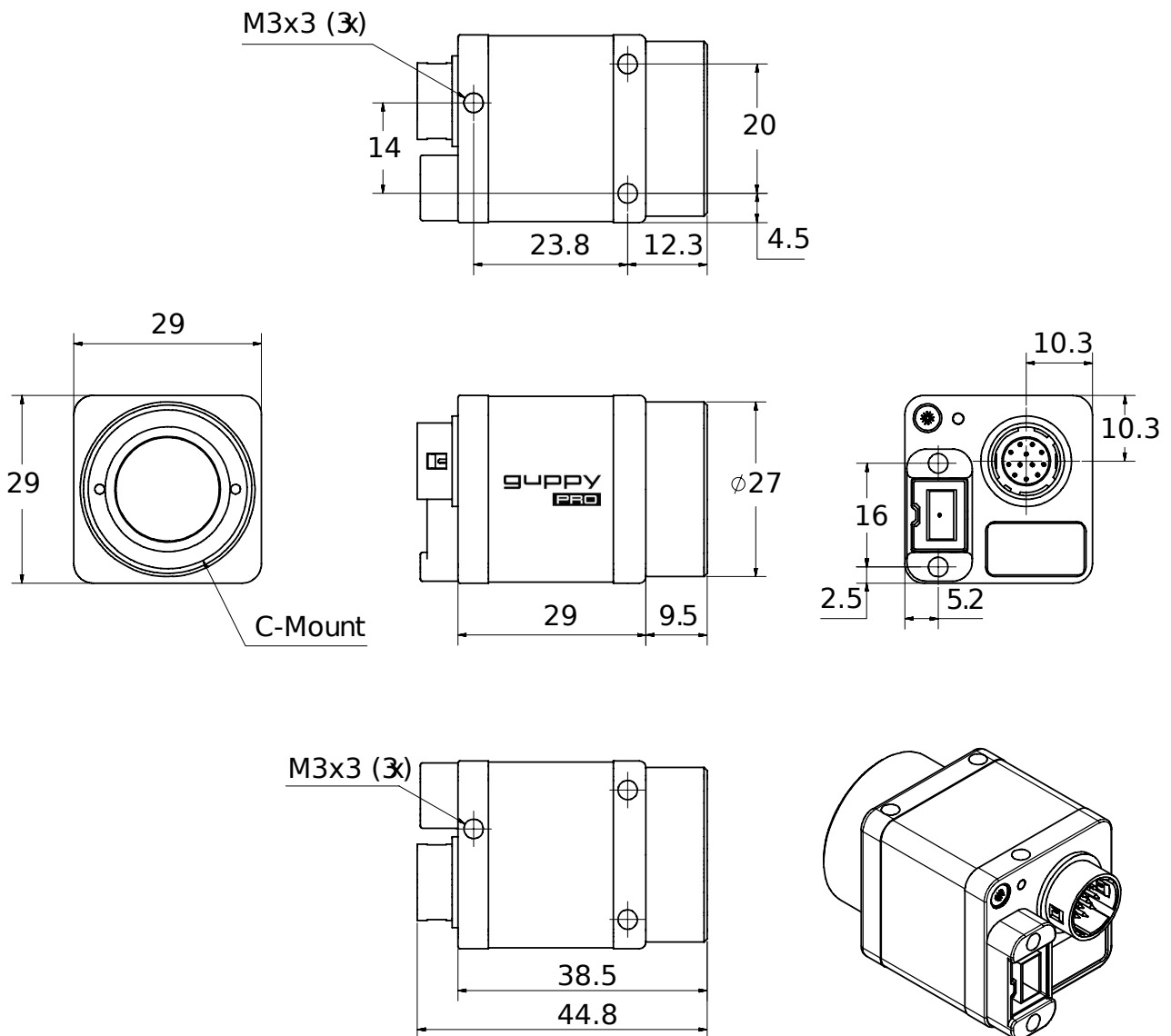
## Quantum efficiency



## Features

- LUT (look-up table)
- Gamma
- Color correction
- AOI, separate AOI for auto features
- Binning
- Sub-sampling
- Auto gain (manual gain control: 0 to 24.4 dB)
- Auto exposure (39  $\mu$ s to 67 s)
- Trigger programmable, level, single, bulk, programmable delay
- Storable user sets

## Technical drawing



## Applications

The Guppy PRO F-095C includes the new ICX692 sensor. This EXview HAD II sensor has a very good sensitivity both in the visible and NIR spectrum. Therefore, the Guppy PRO F-095C is well suited for low-light applications, especially security and surveillance.

- Security and surveillance
- Applications with low light
- Industrial inspection
- ITS/traffic monitoring
- ... and many more