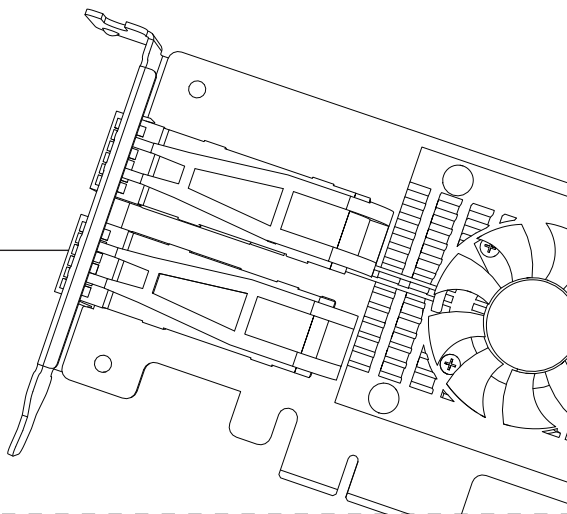


Network Expansion Card



Compatibility



QNAP Networking products



This QNAP device complies with Part 15 of the FCC Rules. Operation is subject to the following two conditions:

1. This device may not cause harmful interference.
2. This device must accept any interference received, including interference that may cause undesired operation.

FCC Class B Notice:

This equipment has been tested and found to comply with the limits for a Class B digital device, pursuant to Part 15 of the FCC Rules. These limits are designed to provide reasonable protection against harmful interference in a residential installation. This equipment generates, uses, and can radiate radio frequency energy and, if not installed and used in accordance with the instructions, may cause harmful interference to radio communications. However, there is no guarantee that interference will not occur in a particular installation. If this equipment does cause harmful interference to radio or television reception, which can be determined by turning the equipment off and on, the user is encouraged to try to correct the interference by one or more of the following measures:

- Reorient or relocate the receiving antenna.
- Increase the separation between the equipment and receiver.
- Connect the equipment into an outlet on a circuit different from that to which the receiver is connected.
- Consult the dealer or an experienced radio/television technician for help.

Modifications:

Any modifications made to this device that are not approved by QNAP Systems, Inc. may void the authority granted to the user by the FCC to operate this equipment.



This QNAP device complies with CE compliance Class B.



According to the requirement of the WEEE legislation the following user information is provided to customers for all branded QNAP Electronics products subject to the WEEE directive.

This symbol on the product or on its packaging indicates that this product must not be disposed of with your other household waste. Instead, it is your responsibility to dispose of your waste equipment by handing it over to a designated collection point for the recycling of waste electrical and electronic equipment. The separate collection and recycling of your waste equipment at the time of disposal will help to conserve natural resources and ensure that it is recycled in a manner that protects human health and the environment. For more information about where you can drop off your waste equipment for recycling, please contact your local city office, your household waste disposal service or the shop where you purchased the product.



D33B77
RoHS

更多關於安全、法規、與環境法令遵循相關的資訊，請參閱以下網址
www.qnap.com/regulatory/



www.qnap.com



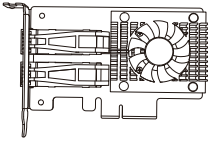
helpdesk.qnap.com



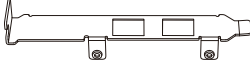
download.qnap.com

Copyright© 2019 QNAP Systems, Inc.

Package contents



Network Expansion Card
+ Low-profile bracket



Full-height bracket



Low-profile flat bracket

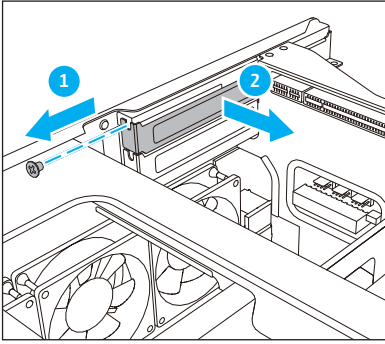


Screw pack

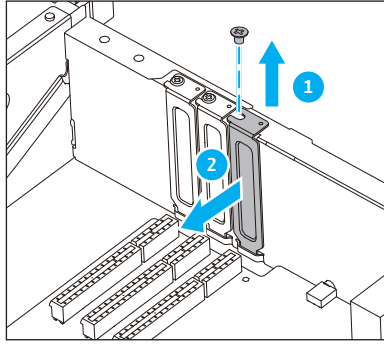
I. Remove PCIe cover

Remove the PCIe cover and identify the required bracket.

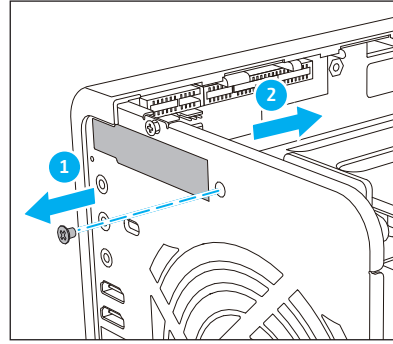
Use full-height bracket



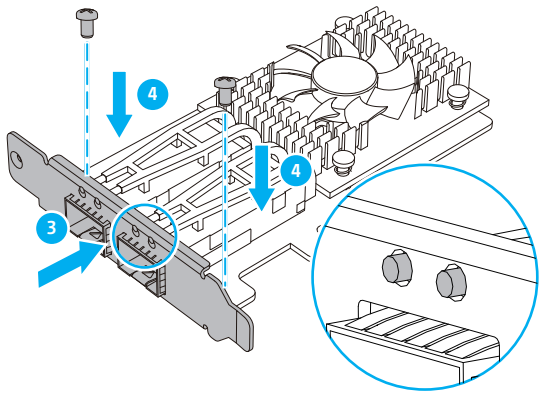
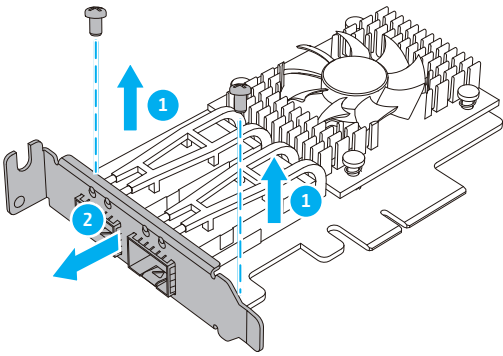
Use low-profile bracket



Use low-profile flat bracket

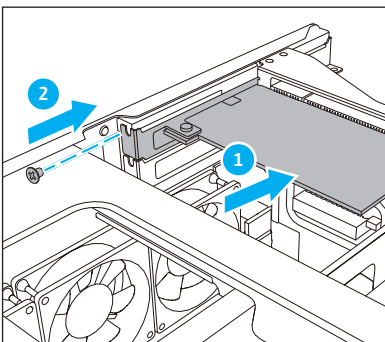


II. Change the bracket

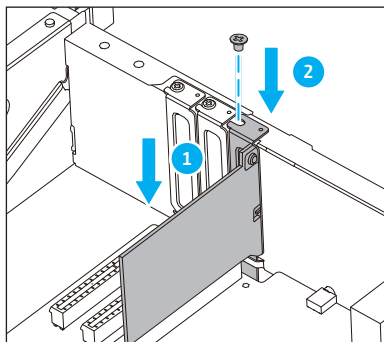


III. Install the LAN card in the NAS

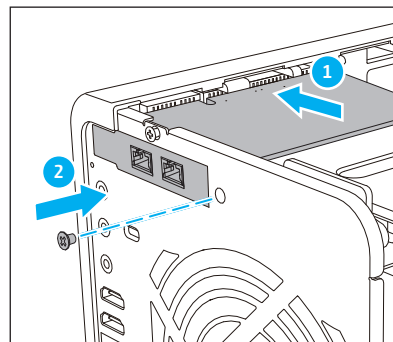
Full-height bracket

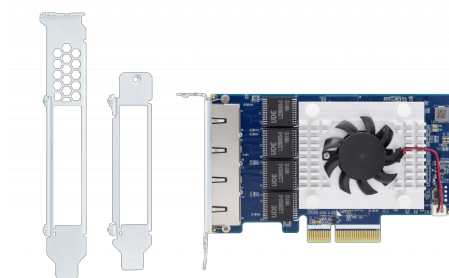


Low-profile bracket



Low-profile flat bracket





QXG-5G4T-111C

Controller	Marvell AQtion AQC111C; Driver download: Marvell AQtion Driver Downloads (not required for QTS)
Number of Ports	4 x NBASE-T (RJ45)
Connector	NBASE-T (RJ45)
PCIe and Lanes	PCIe Gen 3.0 x4
Transmission Rates	5Gbps/ 2.5Gbps/ 1Gbps/ 100Mbps
IEEE Standards	IEEE 802.3an IEEE 802.3bz
Bracket	Low-profile bracket pre-installed; full-height and specialized (for selected QNAP NAS) brackets are bundled
Supported NAS operating systems	QTS/QuTS hero (recommend an upgrade to the latest version); Windows (Driver required); Linux (Driver required)
Supported QNAP NAS	Models with PCIe slot(s) (1 free slot required)
Support Ubuntu Commercial Linux Distribution	Ubuntu 18.04/20.04
Support Windows	Windows 8/10
Port and Cable	RJ-45; over CAT-5e class cable
Package Content	1 x Network card; 1 x QIG; 3 x Brackets

Note: Use only QNAP memory modules to maintain system performance and stability. For NAS devices with more than one memory slot, use QNAP modules with identical specifications.

Warning: Using unsupported modules may degrade performance, cause errors, or prevent the operating system from starting. The terms HDMI, HDMI High-Definition Multimedia Interface, HDMI trade dress and the HDMI Logos are trademarks or registered trademarks of HDMI Licensing Administrator, Inc.

Product images are for illustrative purposes only and may differ from the actual product. Due to differences in monitors, colors of products may also appear different to those shown on the site.

Designs and specifications are subject to change without notice.