

Prosilica GT

4905



- Versatile temperature range for extreme environments
- IEEE 1588 PTP
- Power over Ethernet
- 7.5 fps @ full resolution

Description

16 Megapixel CCD camera for extreme environments - GigE Vision®

Prosilica GT4905/GT4905C is a 16 Megapixel camera with a GigE Vision compliant Gigabit Ethernet interface. This camera incorporates the high quality ON Semiconductor KAI-16050 TRUESENSE CCD sensor providing excellent monochrome and color image quality. It is a rugged camera designed to operate in extreme environments. This camera is a large format housing camera with a standard F-Mount lens mount. By default monochrome models ship with no optical filter and color models ship with an IRC30 IR cut filter.

Options:

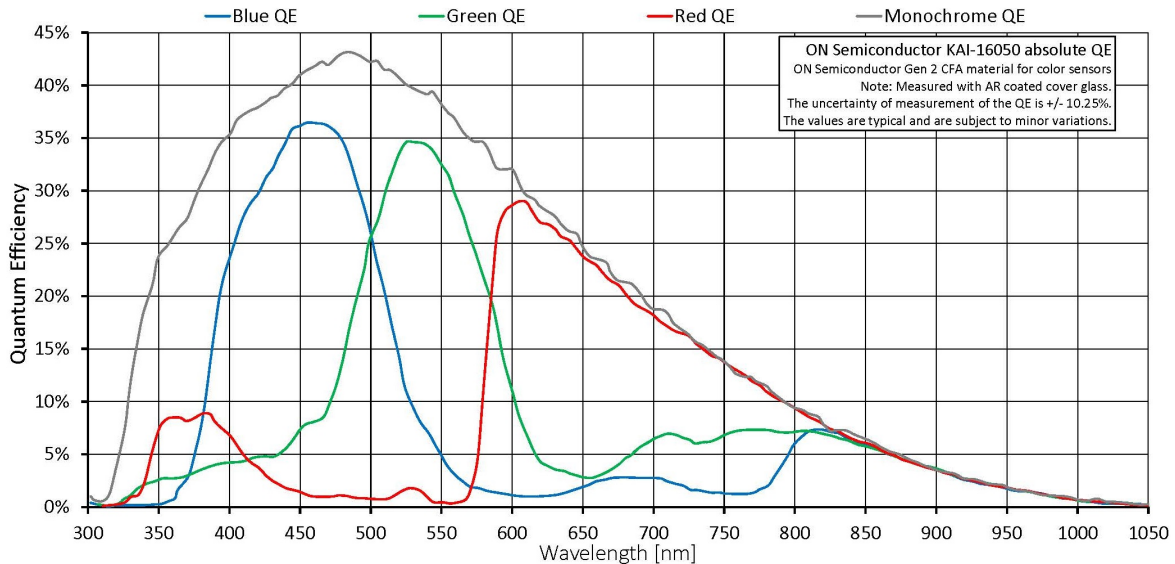
- Various IR cut/pass filters and lens mounts
- Class 1 sensor

See the Modular Concept for lens mount, optical filters, and sensor options.

Specifications

Prosilica GT	4905
Interface	IEEE 802.3 1000BASE-T, IEEE 802.3af (PoE)
Resolution	4896 (H) × 3264 (V)
Sensor	ON Semi KAI-16050
Sensor type	CCD Progressive
Cell size	5.5 μm x 5.5 μm
Lens mount	F-Mount
Max frame rate at full resolution	7.5 fps
ADC	14 bit

Prosilica GT	4905
Image buffer (RAM)	128 MByte
Output	
Bit depth	14 (monochrome); 12 (color) bit
Mono modes	Mono8, Mono12, Mono12Packed, Mono14
Color modes YUV	YUV411Packed, YUV422Packed, YUV444Packed
Color modes RGB	RGB8Packed, BGR8Packed, RGBA8Packed, BGRA8Packed
Raw modes	BayerGR8, BayerGR12, BayerRG12Packed
General purpose inputs/outputs (GPIOs)	
TTL I/Os	1 input, 2 outputs
Opto-isolated I/Os	1 input, 2 outputs
RS-232	1
Operating conditions/dimensions	
Operating temperature	-20 °C to +50 °C ambient (without condensation)
Power requirements (DC)	7 to 25 VDC; PoE
Power consumption (@12 V)	7.3 W @ 12 VDC; 9.0 W PoE
Mass	372 g
Body dimensions (L × W × H in mm)	96 × 66 × 53.3 (including connectors)
Regulations	CE, RoHS, REACH, WEEE, FCC, ICES





Features

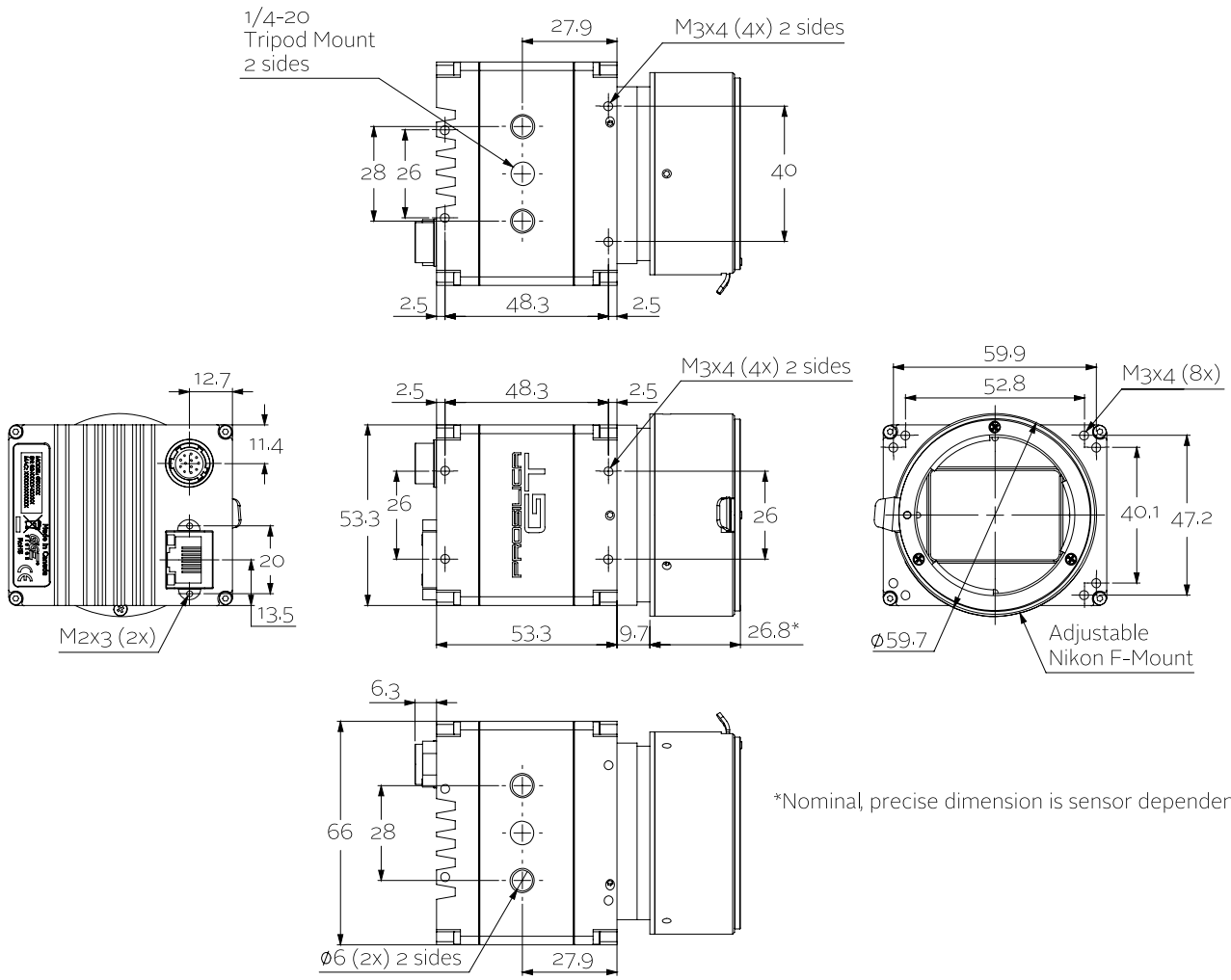
Image optimization features:

- Auto gain (manual gain control: 0 to 33 dB)
- Auto exposure (manual exposure control: 15 μ s to 26.8 s)
- Auto white balance (Color models only)
- Binning (horizontal and vertical)
- Color correction, hue, saturation (Color models only)
- Column defect masking
- Decimation X/Y
- Gamma correction
- Look-up tables (LUTs)
- Region of interest (ROI), separate ROI for auto features
- Reverse X/Y

Camera control features:

- EF lens control (order option -18)
- Event channel
- Image chunk data
- IEEE 1588 Precision Time Protocol (PTP)
- RS232
- Storable user sets
- StreamBytesPerSecond (easy bandwidth control)
- StreamHold
- Sync out modes: Trigger ready, input, exposing, readout, imaging, strobe, GPO
- Tap mode switchable in Vimba Viewer 2.0 or later (four-tap, one-tap)
- Temperature monitoring (main board and sensor board)

Technical drawing





Applications

Prosilica GT4905/GT4905C is ideal for a wide range of applications including:

- Outdoor imaging
- Traffic imaging / Intelligent Traffic Systems (ITS)
- Public security and surveillance
- Industrial inspection
- Machine vision
- Military and space applications