



- Versatile temperature range for extreme environments
- IEEE 1588 PTP
- Power over Ethernet
- P-Iris and DC-Iris lens control

Description

5 Megapixel machine vision camera for extreme environments

Prosilica GT2450 is a 5 Megapixel camera with a GigE Vision compliant Gigabit Ethernet port and Hirose I/O port. Prosilica GT2450 is offered in both monochrome and color models. This camera incorporates the high quality Sony ICX625 CCD sensor with Super HAD technology providing excellent monochrome and color image quality. At full resolution, this camera runs 15 frames per second. With a smaller region of interest, higher frame rates are possible. It is a robust camera designed to operate in extreme environments and fluctuating lighting conditions. This camera offers Precise iris lens control allowing users to fix the aperture size to optimize depth of field, exposure, and gain without the need for additional control elements. By default monochrome models ship with no optical filter and color models ship with an IRC30 IR cut filter.

Benefits and features:

- Monochrome (GT2450) and color (GT2450C) models
- GigE Vision interface with Power over Ethernet
- Screw mount RJ45 Ethernet connector for secure operation in industrial environments
- Supports cable lengths up to 100 meters (CAT-5e or CAT-6)
- Trigger over Ethernet (ToE) Action Commands allow for a single cable solution to reduce system costs
- Comprehensive I/O functionality for simplified system integration
- Popular C-Mount lens mount
- Easy camera mounting via standard M3 threads or optional tripod adapter
- Easy software integration with Allied Vision's [Vimba SDK](#) and compatibility to the most popular [third party image-processing libraries](#).

Options:

- Available with CS-Mount, F-Mount, EF-Mount Birger, M42-Mount

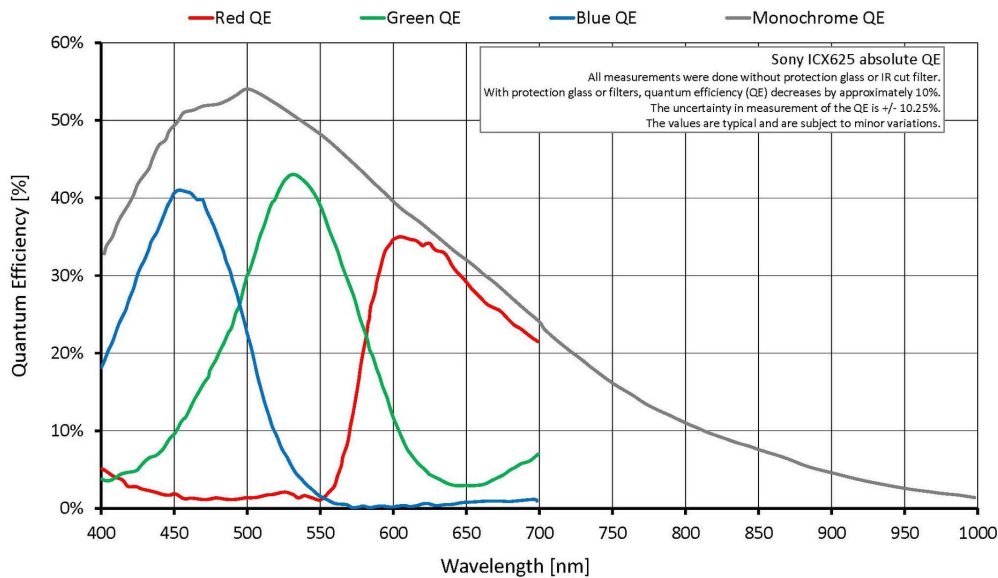


- Available with IR cut filter or protection glass

See the [Modular Concept](#) for lens mount and optical filters options. See the [Customization and OEM Solutions](#) webpage for additional options.

Specifications

| | |
|---|---|
| Prosilica GT | 2450 |
| Interface | IEEE 802.3 1000BASE-T, IEEE 802.3af (PoE) |
| Resolution | 2448 (H) × 2050 (V) |
| Sensor | Sony ICX625 |
| Sensor type | CCD Progressive |
| Sensor size | Type 2/3 |
| Pixel size | 3.45 μm × 3.45 μm |
| Lens mount (default) | C-Mount |
| Max. frame rate at full resolution | 15 fps |
| ADC | 14 bit |
| Image buffer (RAM) | 128 MByte |
| Output | |
| Bit depth | 12/14 bit |
| Monochrome pixel formats | Mono8, Mono12, Mono12Packed, Mono14 |
| YUV color pixel formats | YUV411Packed, YUV422Packed, YUV444Packed |
| RGB color pixel formats | RGB8Packed, BGR8Packed |
| Raw pixel formats | BayerRG8, BayerRG12, BayerRG12Packed |
| General purpose inputs/outputs (GPIOs) | |
| TTL I/Os | 1 input, 2 outputs |
| Opto-isolated I/Os | 1 input, 2 outputs |
| RS232 | 1 |
| Operating conditions/dimensions | |
| Operating temperature | -20 °C to +65 °C ambient (without condensation) |
| Power requirements (DC) | 7 to 25 VDC; PoE |
| Power consumption | 3.8 W at 12 VDC; 4.7 W PoE |
| Mass | 211 g |
| Body dimensions (L × W × H in mm) | 86 × 53.3 × 33 (including connectors) |
| Regulations | CE: 2014/30/EU (EMC), 2011/65/EU, including amendment 2015/863/EU (RoHS); FCC Class A; CAN ICES-003 Issue 4/5 |



Features

Image optimization features:

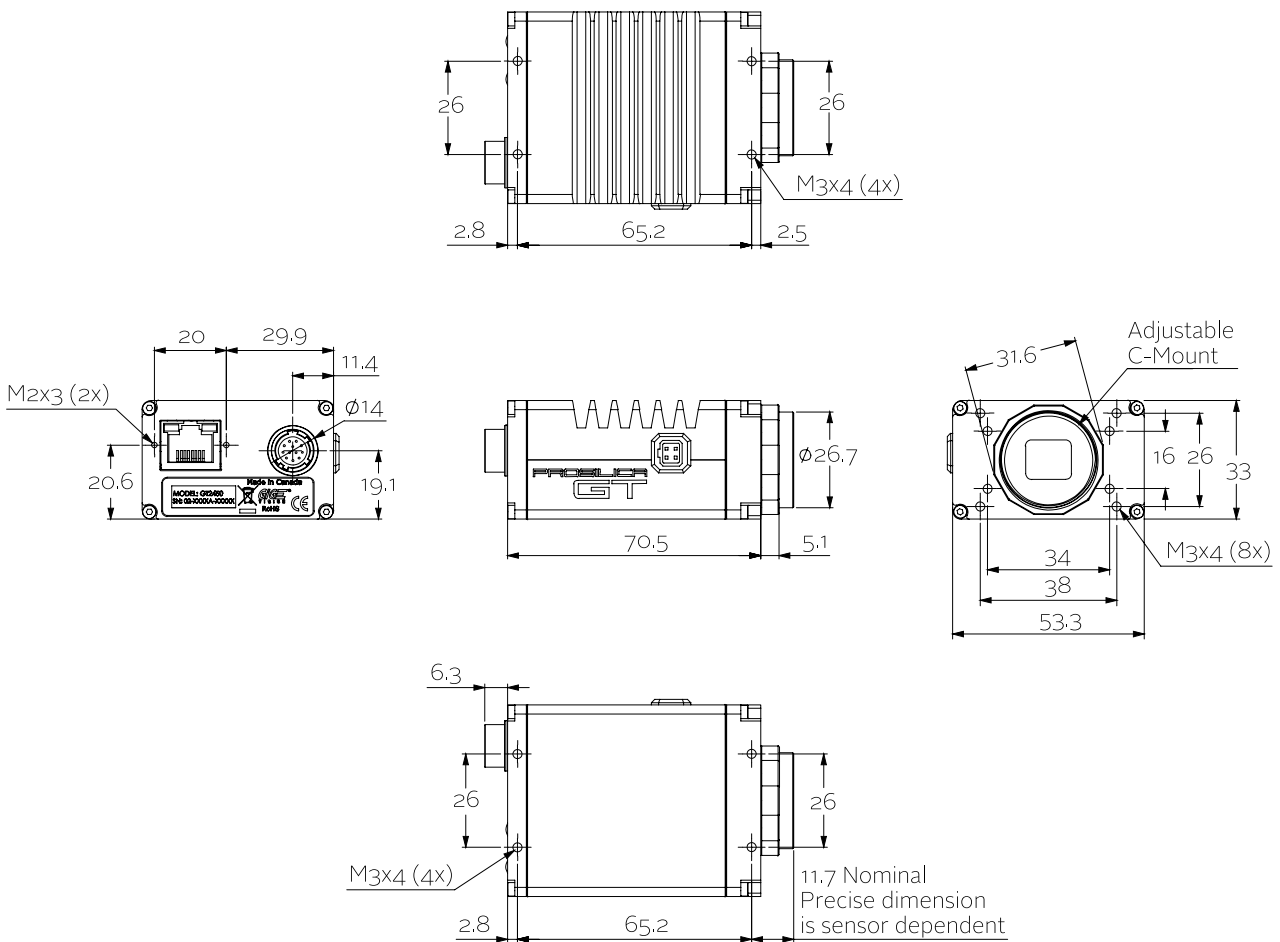
- Auto gain (manual gain control: 0 to 30 dB)
- Auto exposure (manual exposure control: 25 μ s to 42.9 s)
- Auto white balance (GT2450C only)
- Binning (horizontal and vertical)
- Color correction, hue, saturation (GT2450C only)
- Decimation X/Y
- Gamma correction
- Three look-up tables (LUTs)
- Region of interest (ROI), separate ROI for auto features
- Reverse X

Camera control features:

- P-Iris and DC-Iris lens control
- Event channel
- Image chunk data
- IEEE 1588 Precision Time Protocol (PTP)
- RS232
- Storable user sets
- StreamBytesPerSecond (bandwidth control)
- Stream hold

- Sync out modes: Trigger ready, input, exposing, readout, imaging, strobe, GPO
- Temperature monitoring (main board and sensor board)
- Trigger over Ethernet (ToE) Action Commands

Technical drawing





Applications

Prosilica GT2450 is ideal for a wide range of applications including:

- Outdoor imaging
- Traffic imaging and Intelligent Traffic Systems (ITS)
- Public security and surveillance
- Industrial inspection
- Machine vision
- Military and space applications