

Prosilica GS

2450



- Right-angle CCD camera with low height profile
- 15 fps @ full resolution
- Video-type auto iris
- Sony ICX625 CCD sensor

Description

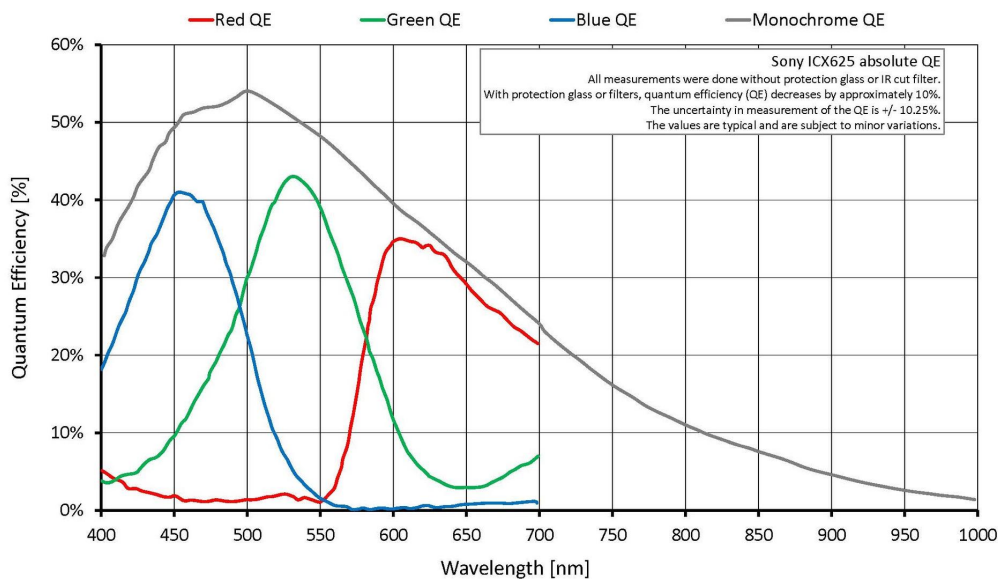
5 Megapixel periscope type camera with GigE Vision, 15 frames per second

Prosilica GS2450 is a very high-resolution CCD camera with Gigabit Ethernet output. This camera uses the high-quality Sony ICX625 CCD image sensor that provides superior image quality, excellent sensitivity, and low noise. At full resolution, this camera has a frame rate of 15 frames per second. With a smaller region of interest higher frame rates are possible. By default monochrome models ship with no optical filter and color models ship with an IRC30 IR cut filter.

Specifications

Prosilica GS	2450
Interface	IEEE 802.3 1000baseT
Resolution	2448 (H) × 2050 (V)
Sensor	Sony ICX625
Sensor type	CCD Progressive
Sensor size	Type 2/3
Pixel size	3.45 μm × 3.45 μm
Lens mount (default)	C-Mount
Max. frame rate at full resolution	15 fps
ADC	14 bit
Image buffer (RAM)	16 MByte
Output	
Bit depth	8/12 bit
Monochrome pixel formats	Mono8, Mono12, Mono12Packed
YUV color pixel formats	YUV411Packed, YUV422Packed, YUV444Packed

Prosilica GS	2450
RGB color pixel formats	RGB8Packed, BGR8Packed
Raw pixel formats	BayerRG8, BayerRG12, BayerGR12Packed
General purpose inputs/outputs (GPIOs)	
TTL I/Os	1 input, 1 output
Opto-isolated I/Os	1 input, 1 output
RS232	1
Operating conditions/dimensions	
Operating temperature	0 °C to +70 °C ambient (without condensation)
Power requirements (DC)	5 to 25 VDC
Power consumption	3.8 W @ 12 VDC
Mass	186 g
Body dimensions (L × W × H in mm)	96 × 56 × 26 (including connectors)
Regulations	CE: 2014/30/EU (EMC), 2011/65/EU, including amendment 2015/863/EU (RoHS); FCC Class A



Features

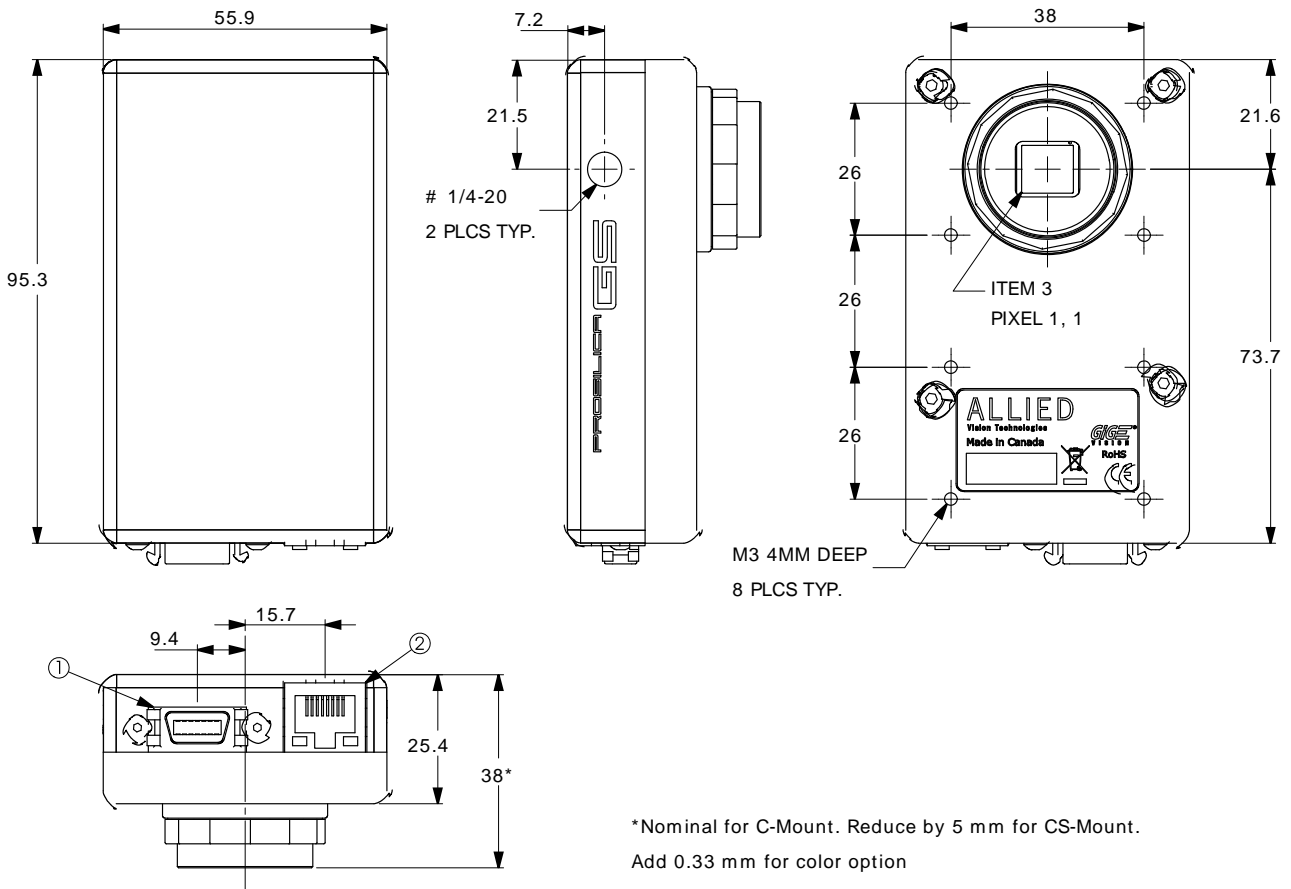
Prosilica GS2450 features include:

- Auto-Iris (video type)
- Region of interest (ROI), DSP subregion (selectable ROI for auto features)
- Binning (Sum)
- Auto gain (manual gain control: 0 to 30 dB)



- Auto exposure (manual exposure controls: 10 μ s to 42.9 s)
- Auto white balance
- StreamBytesPerSecond (bandwidth control)
- Stream hold
- Sync out modes: Trigger ready, input, exposing, readout, imaging, strobe, GPO
- Global shutter (digital shutter)
- Recorder and Multiframe acquisition modes
- Event channel
- Image chunk data
- Storable user sets

Technical drawing





Applications

Prosilica GS2450 is ideal for a wide range of applications including:

- LCD panel inspection
- High-resolution industrial inspection
- 3D metrology
- General machine vision
- Public security
- Surveillance
- Traffic imaging (Intelligent Traffic Systems)
- Embedded systems
- Microscopy