



# Prosilica GS

## 1380

- Right-angle CCD camera with low height profile
- 30 fps @ full resolution
- Video-type auto iris
- Landscape or portrait sensor orientation

## Description

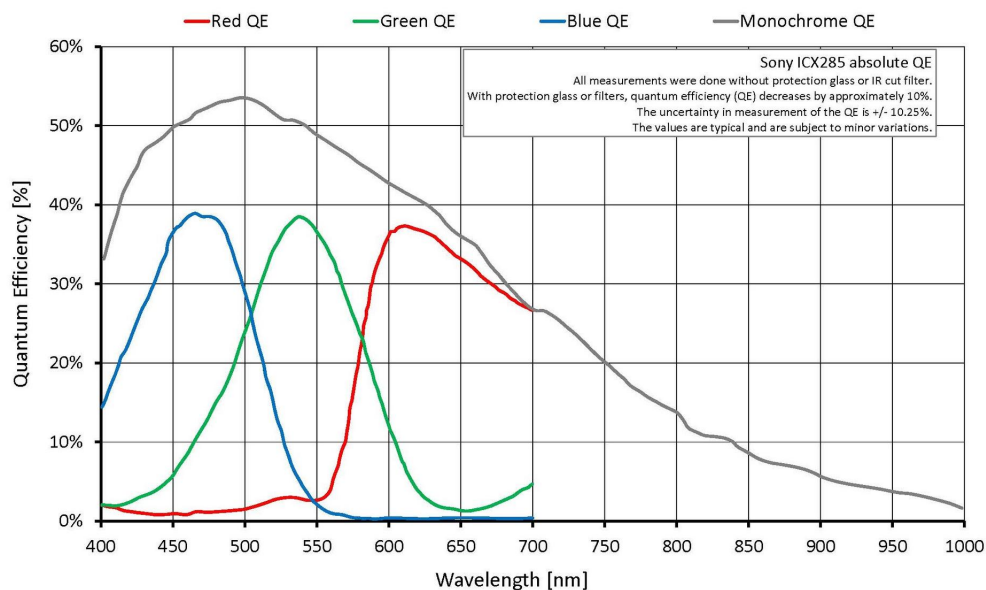
### 1.4 Megapixel CCD camera with GigE Vision, High sensitivity

Prosilica GS1380 is a very sensitive, high-resolution CCD camera with Gigabit Ethernet interface. This camera incorporates the Sony ICX285 CCD sensor with EXview technology. This camera is available in landscape or portrait orientation. At full resolution, this camera has a frame rate of 30 frames per second. With a smaller region of interest higher frame rates are possible. By default monochrome models ship with no optical filter and color models ship with an IRC30 IR cut filter.

## Specifications

Prosilica GS	1380
Interface	IEEE 802.3 1000baseT
Resolution	1360 (H) × 1024 (V)
Sensor	Sony ICX285
Sensor type	CCD Progressive
Sensor size	Type 2/3
Pixel size	6.45 μm × 6.45 μm
Lens mount (default)	C-Mount
Max. frame rate at full resolution	30 fps
ADC	14 bit
Image buffer (RAM)	16 MByte
<b>Output</b>	
Bit depth	8/12 bit
Monochrome pixel formats	Mono8, Mono12, Mono12Packed
YUV color pixel formats	YUV411Packed, YUV422Packed, YUV444Packed
RGB color pixel formats	RGB8Packed, BGR8Packed

<b>Prosilica GS</b>	<b>1380</b>
Raw pixel formats	BayerRG8, BayerRG12, BayerGR12Packed
<b>General purpose inputs/outputs (GPIOs)</b>	
TTL I/Os	1 input, 1 output
Opto-isolated I/Os	1 input, 1 output
RS232	1
<b>Operating conditions/dimensions</b>	
Operating temperature	0 °C to +70 °C ambient (without condensation)
Power requirements (DC)	5 to 25 VDC
Power consumption	3.5 W at 12 VDC
Mass	187 g
Body dimensions (L × W × H in mm)	96 × 56 × 26 (including connectors)
Regulations	CE: 2014/30/EU (EMC), 2011/65/EU, including amendment 2015/863/EU (RoHS); FCC Class A



## Features

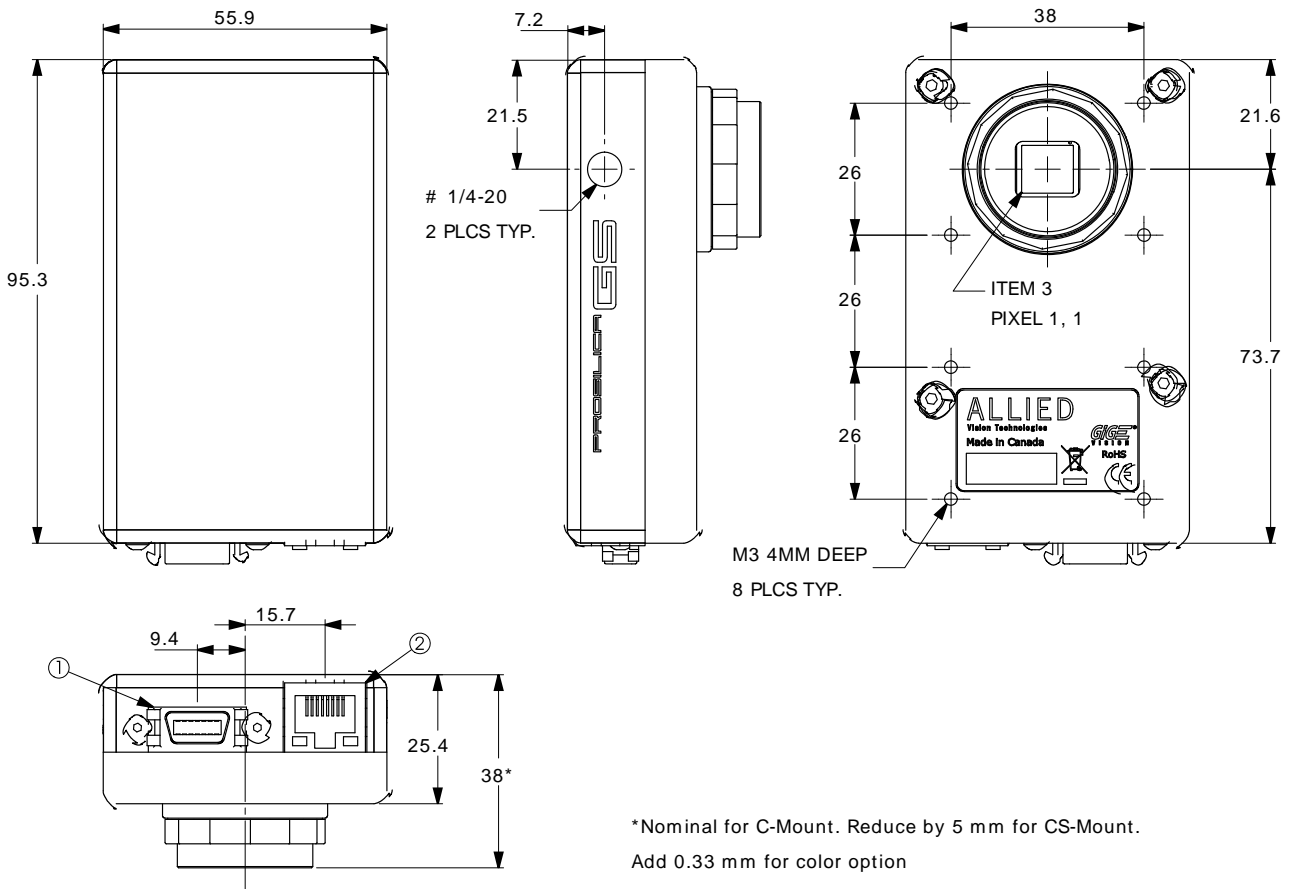
Prosilica GS1380 features include:

- Auto-iris (video type)
- Region of interest (ROI), DSP subregion (selectable ROI for auto features)
- Binning (Sum)
- Auto gain (manual gain control: 0 to 30 dB)
- Auto exposure (manual exposure controls: 10  $\mu$ s to 78.5 s)



- Auto white balance
- StreamBytesPerSecond (bandwidth control)
- Stream hold
- Sync out modes: Trigger ready, input, exposing, readout, imaging, strobe, GPO
- Global shutter (digital shutter)
- Recorder and Multiframe acquisition modes
- Event channel
- Image chunk data
- Storable user sets

## Technical drawing





## Applications

Prosilica GS1380 is ideal for a wide range of applications including:

- Industrial inspection
- Machine vision
- Microscopy
- Ophthalmology
- Fluorescence
- Aeronautical and aerospace
- Public security
- Surveillance