

# Prosilica GE

## 1900



- 30 fps @ full resolution
- ON Semiconductor KAI-2093 sensor
- Galvanically isolated I/O
- Various lens mount options

Prosilica GE1900C Color: Discontinued | Last time buy: February 10, 2016 | Last time repair service: August 10, 2021

Prosilica GE1900 Monochrome: Available

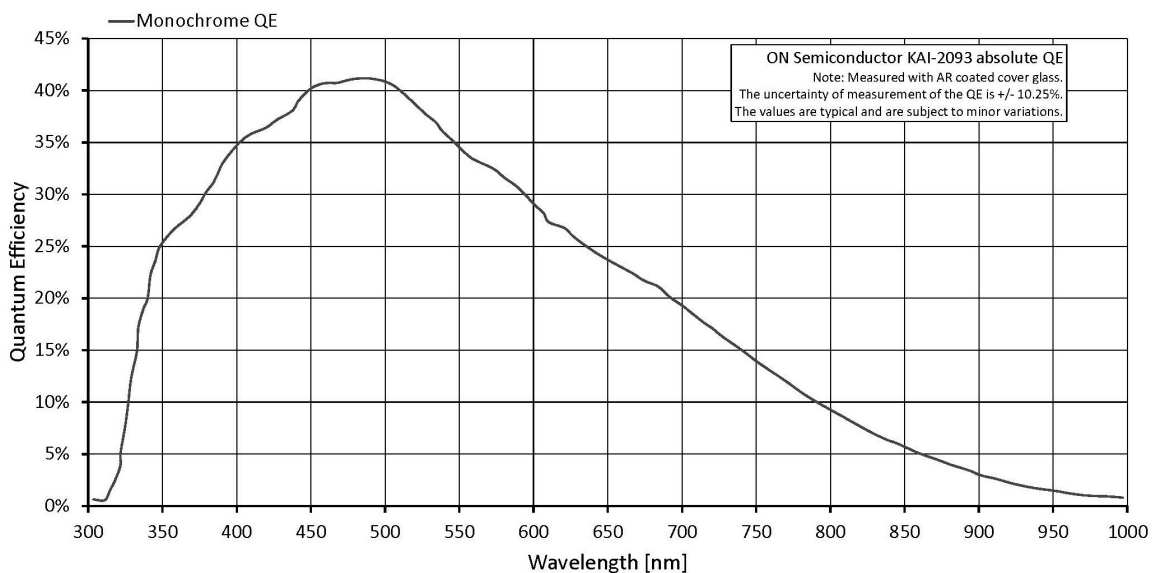
## High Resolution CCD camera, GigE Vision interface, 30 frames per second

Prosilica GE1900 is a high-resolution CCD camera with Gigabit Ethernet interface (GigE Vision®). This camera incorporates a high-quality ON Semiconductor KAI-2093 CCD sensor providing excellent monochrome image quality. This camera runs 30 frames per second at full resolution and even faster with region of interest readout. By default monochrome models ship with no optical filter.

## Specifications

Prosilica GE	1900
Interface	IEEE 802.3 1000baseT
Resolution	1920 (H) × 1080 (V)
Sensor	ON Semi KAI-2093
Sensor type	CCD Progressive
Sensor size	Type 1
Pixel size	7.4 μm × 7.4 μm
Lens mount (default)	C-Mount
Max. frame rate at full resolution	30 fps
ADC	12 bit
Image buffer (RAM)	32 MByte
<b>Output</b>	
Bit depth	8/12 Bit
Monochrome pixel formats	Mono8, Mono12, Mono12Packed
<b>General purpose inputs/outputs (GPIOs)</b>	
TTL I/Os	1 input, 3 outputs (with galvanic isolation)

<b>Prosilica GE</b>	<b>1900</b>
RS232	1
<b>Operating conditions/dimensions</b>	
Operating temperature	0 °C to +50 °C ambient (without condensation)
Power requirements (DC)	5 to 24 VDC
Power consumption	5 W at 12 VDC
Mass	169 g
Body dimensions (L × W × H in mm)	80 × 51 × 39 (including connectors)
Regulations	2011/65/EU, including amendment 2015/863/EU (RoHS)



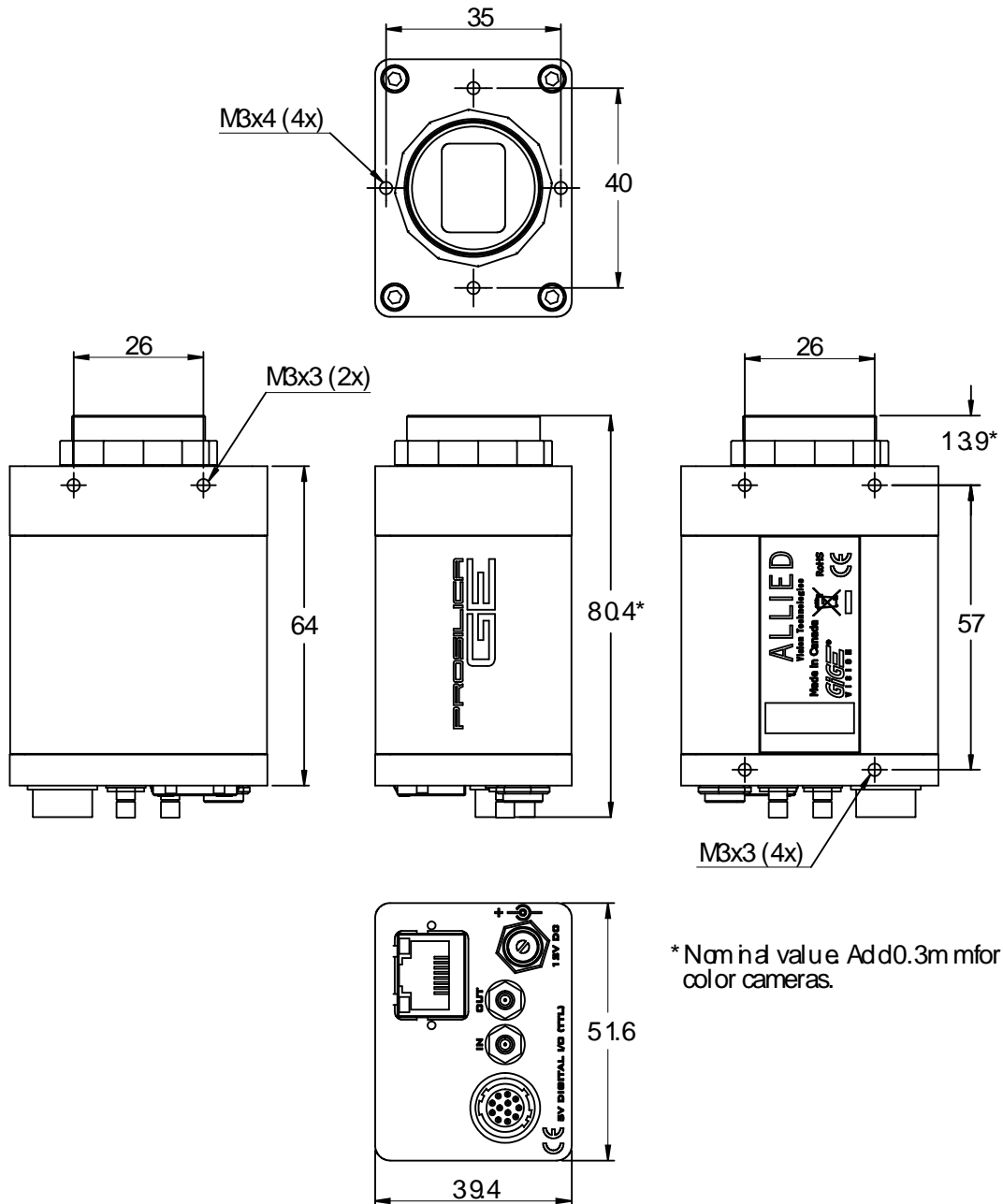
## Features

Prosilica GE1900 features include:

- Region of interest (ROI), (selectable ROI for auto features)
- Binning (Sum)
- Auto gain (manual gain control: 0 to 34 dB)
- Auto exposure (manual exposure controls: 50 µs to 53.7 s)
- StreamBytesPerSecond (bandwidth control)
- Stream hold
- Sync out modes: Trigger ready, input, exposing, readout, imaging, strobe, GPO
- Global shutter (digital shutter)
- Recorder and Multiframe acquisition modes

- Event channel
- Image chunk data
- Storable user sets

## Technical drawing





## Applications

Prosilica GE1900 is ideal for a wide range of applications including:

- Industrial inspection
- Machine vision
- LCD panel inspection
- Medical imaging
- Ophthalmology
- Aeronautical and aerospace
- Public security
- Surveillance
- Traffic imaging
- OEM applications