

Prosilica GC

1380H



- Sony ICX285 sensor
- 30 fps @ full resolution
- Rugged housing
- Video-type auto iris

Description

High sensitivity 1.4 Megapixel CCD camera, 30 frames per second

Prosilica GC1380H and its color counterpart, Prosilica GC1380CH, are high-speed versions of the very popular Prosilica GC1380/GC1380C. The ultra-compact This camera is a very sensitive, high-resolution CCD camera with GigE Vision compliant Gigabit Ethernet interface that runs 30 frames per second at full resolution. This camera incorporates the high quality Sony ICX285 CCD sensor with EXview HAD technology. By default monochrome models ship with no optical filter and color models ship with an IRC30 IR cut filter.

Note: This web page reflects the Prosilica GC hardware revision D model. Please refer to the Prosilica GC Technical Manual V2.2.0 or later for more information on hardware revision changes.

Options:

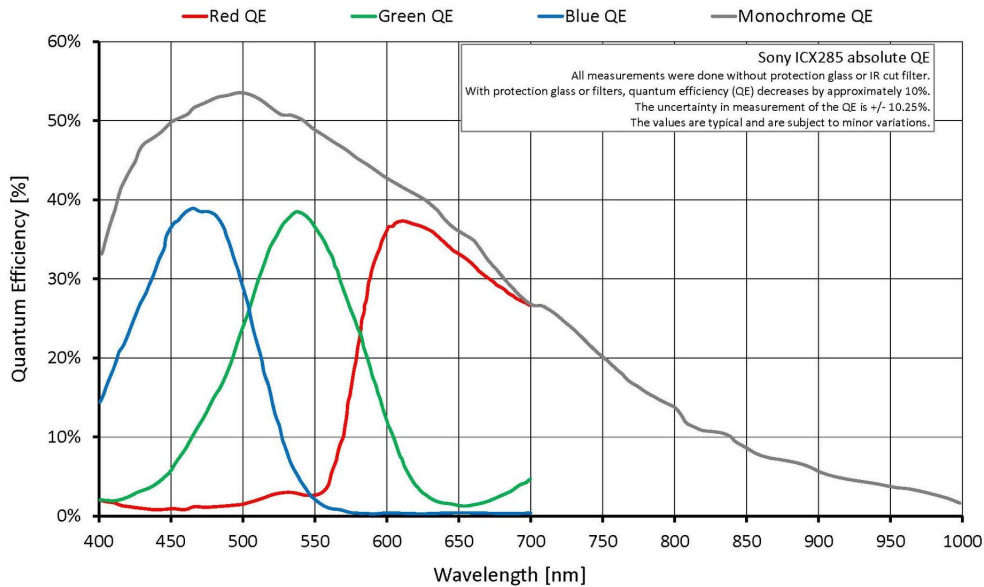
- CS-Mount
- Optical filters (IR cut filter/Protection glass)

See the Modular Concept for lens mount and optical filter options.

Specifications

Prosilica GC	1380H
Interface	IEEE 802.3 1000baseT
Resolution	1360 (H) × 1024 (V)
Sensor	Sony ICX285
Sensor type	CCD Progressive
Cell size	6.45 μm x 6.45 μm
Lens mount	C-Mount
Max frame rate at full resolution	30 fps

Prosilica GC	1380H
ADC	12 bit
Image buffer (RAM)	64
Output	
Bit depth	8/12 bit
Mono modes	Mono8, Mono12, Mono12Packed
Color modes RGB	RGB8Packed, BGR8Packed
Raw modes	BayerRG8, BayerRG12, BayerRG12Packed
General purpose inputs/outputs (GPIOs)	
TTL I/Os	1 input, 1 output
Opto-isolated I/Os	1 input, 1 output
RS-232	1
Operating conditions/dimensions	
Operating temperature	0 °C to +50 °C ambient (without condensation)
Power requirements (DC)	5 to 25 VDC
Power consumption (@12 V)	3.5 W
Mass	111 g
Body dimensions (L × W × H in mm)	59 × 46 × 33 (including connectors)
Regulations	CE, RoHS, REACH, WEEE, FCC, ICES



Features

Image optimization features:

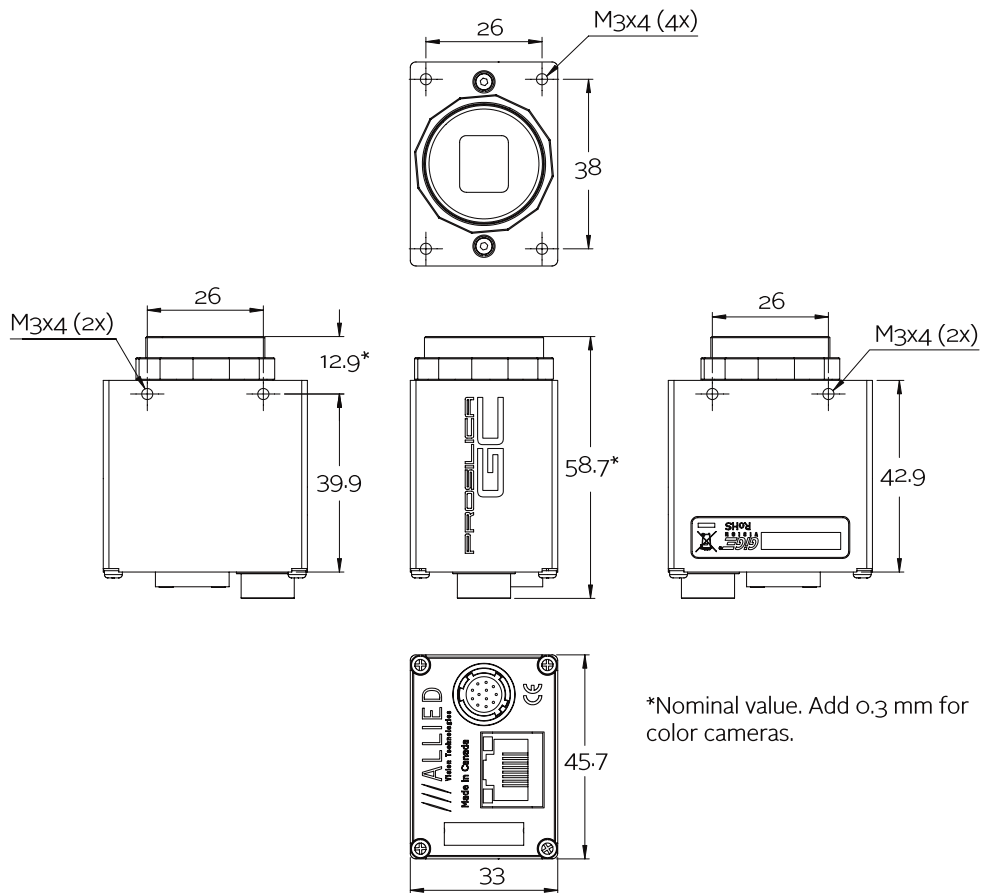


- Auto gain (manual gain control: 0 to 33 dB)
- Auto exposure (manual exposure control: 10 #s to 78.5 s @ 1 #s increments)
- Auto white balance
- Binning (horizontal and vertical) (sum)
- Black level (Offset)
- Gamma correction
- Hue, saturation, color transformation (color model only)
- Look-up tables (LUTs)
- Region of interest (ROI), DSP subregion (selectable ROI for auto features)

Camera control features:

- Auto-iris (video type)
- Event channel
- Global shutter (digital shutter)
- IEEE 1588 Precision Time Protocol
- Image chunk data
- Recorder and Multiframe acquisition modes
- RS232
- Storable user sets (3)
- StreamBytesPerSecond (easy bandwidth control)
- StreamHoldCapacity (Up to 46 frames at full resolution)
- Sync out modes: Trigger ready, input, exposing, readout, imaging, strobe, GPO
- Temperature monitoring (mainboard only)

Technical drawing





Applications

Prosilica GC1380H/GC1380CH is ideal for a wide range of applications including:

- Industrial inspection
- Machine vision
- Ophthalmology
- Microscopy
- Fluorescence
- Aeronautical and aerospace
- Public security
- Surveillance
- Traffic imaging