



## Pike F-032

- Versatile IEEE 1394b camera
- Advanced feature set
- Many variants
- High frame rates

### Description

Fast VGA camera, high quality, IEEE 1394b FireWire, 208 fps

The Pike F-032B/F-032C is a very fast VGA camera with premium image quality and a fast FireWire IEEE 1394b interface. It is equipped with an ON Semiconductor KAI-0340 CCD sensor. At full resolution, it runs 208 frames per second. Higher frame rates can be reached by using a smaller area of interest (AOI), binning (b/w), or sub-sampling. The Pike F-032 is an excellent motion analysis camera.

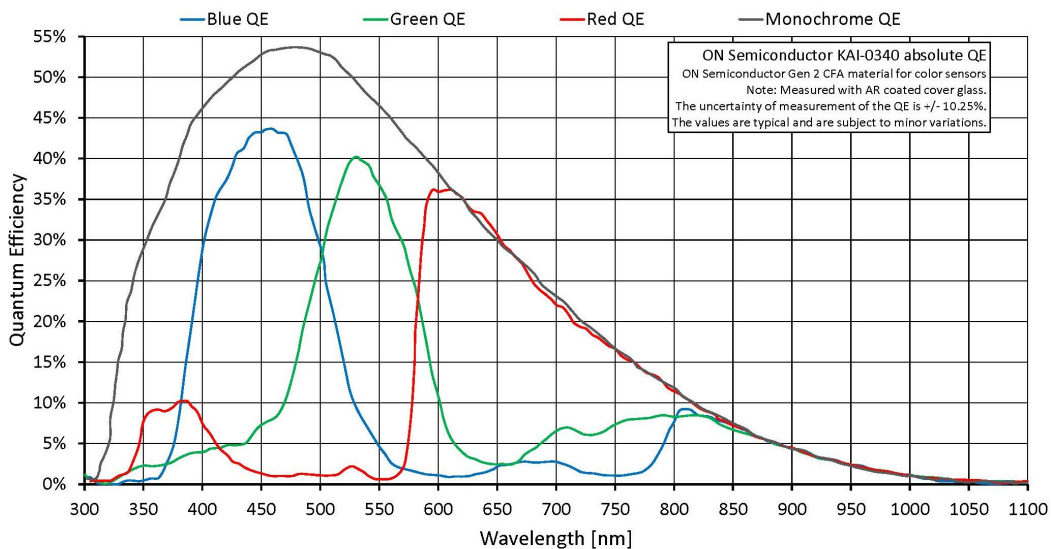
Options:

- IEEE 1394b connectors: 2 x copper (daisy chain) or 1 x GOF, 1 x copper, Hirose power: out
- Various IR cut/pass filters, various lens mounts
- Angled head, white medical housing

### Specifications

Pike	F-032
Interface	IEEE 1394b - 800 Mb/s, 2 ports, daisy chain, fiber optic (GOF) optional
Resolution	640 (H) × 480 (V)
Sensor	ON Semi KAI-0340
Sensor type	CCD Progressive
Sensor size	Type 1/3
Pixel size	7.4 μm × 7.4 μm
Lens mount (default)	C-Mount
Max. frame rate at full resolution	208 fps
ADC	14 bit
Image buffer (RAM)	64 MByte

Pike	F-032
	<b>Output</b>
Bit depth	8-14 bit bit
Monochrome pixel formats	Mono8, Mono12, Mono16
RGB color pixel formats	RGB8
Raw pixel formats	Raw8, Raw12, Raw16
	<b>General purpose inputs/outputs (GPIOs)</b>
Opto-isolated I/Os	2 inputs, 4 outputs
RS232	1
	<b>Operating conditions/dimensions</b>
Operating temperature	+5 °C to +50 °C
Power requirements (DC)	8 V to 36 V
Power consumption	4 W (@ 12 VDC)
Mass	250 g
Body dimensions (L × W × H in mm)	96.8 × 44 × 44 (including connectors)
Regulations	CE: 2014/30/EU (EMC), 2011/65/EU (RoHS); FCC Class B



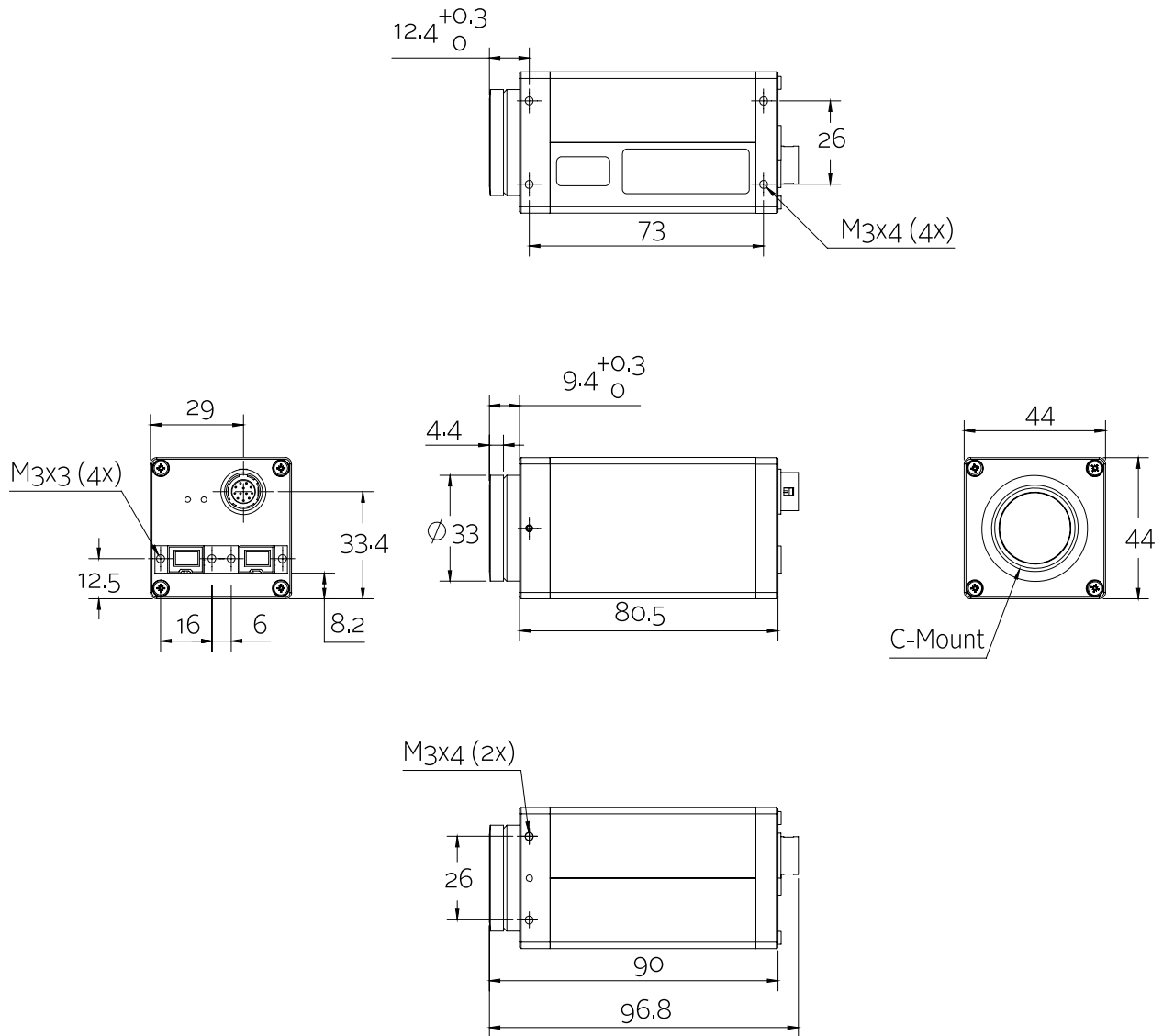
## Features

- High SNR mode (up to 24 dB better signal-to-noise ratio)
- Low-Noise Binning Mode
- Smear reduction
- Shading correction



- Area of interest (AOI), separate AOI for auto features
- Binning
- Decimation
- Auto gain (manual gain control: 0 to 22 dB)
- Auto exposure (18  $\mu$ s to 67 s)
- Auto white balance
- Look-up table (LUT)
- Hue, saturation, color correction
- Reverse X
- Deferred image transport
- Trigger programmable, level, single, bulk, programmable delay
- Sequence mode (changes the camera settings on the fly)
- SIS (secure image signature, time stamp for trigger, frame count etc.)
- Storable user sets

## Technical drawing





## Applications

The Pike F-032B/F-032C combines a very high frame rate of 208 frames per second with elaborate image pre-processing functions and a fast IEEE 1394b FireWire port. The modular design of the Pike provides many opportunities for customization.

This Pike camera is especially suited for:

- Applications which require high frame rates and outstanding image quality
- OEM applications (modular concept)
- Sports, motion studies
- 3D recordings of still and moving objects
- 3D scanning
- Science and research
- Healthcare
- Multimedia and entertainment
- Intelligent traffic solutions (ITS)
- Long cable lengths, 400 meters and more (fiber version)