



## Guppy F-503



- IEEE 1394a camera
- Lightweight
- Robust design
- Machine vision camera

## Description

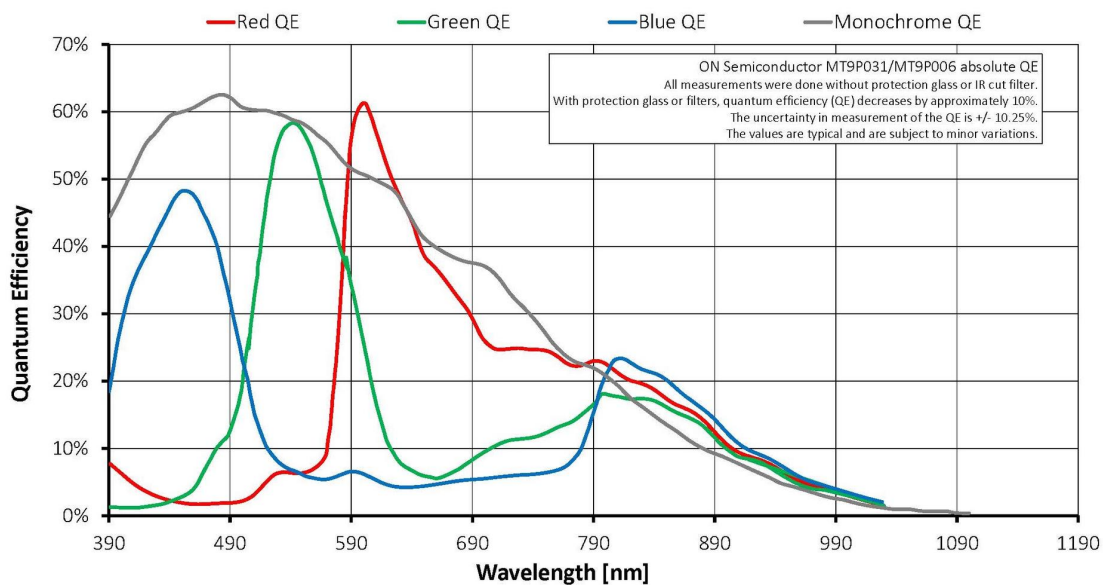
Very compact 5 Megapixel CMOS camera - attractive price - FireWire

The Guppy F-503B/F-503C is a very compact, economically priced camera with a CMOS sensor (no blooming). At full resolution, it runs up to 6.5 frames per second. Higher frame rates can be reached by a smaller area of interest (AOI), binning, or sub-sampling.

## Specifications

Guppy	F-503
Interface	IEEE 1394a - 400 Mb/s, 1 port
Resolution	2592 (H) × 1944 (V)
Sensor	ON Semi MT9P031
Sensor type	CMOS
Cell size	2.2 μm x 2.2 μm
Lens mount	C-Mount, CS-Mount
Max frame rate at full resolution	6 fps
ADC	12 bit
Image buffer (RAM)	
	<b>Output</b>
Bit depth	8/12 bit
Mono modes	Mono8, Mono12, Mono16
Color modes RGB	n/a
Raw modes	Raw8, Raw12, Raw16
	<b>General purpose inputs/outputs (GPIOs)</b>
TTL I/Os	1 input, 3 outputs
RS-232	1

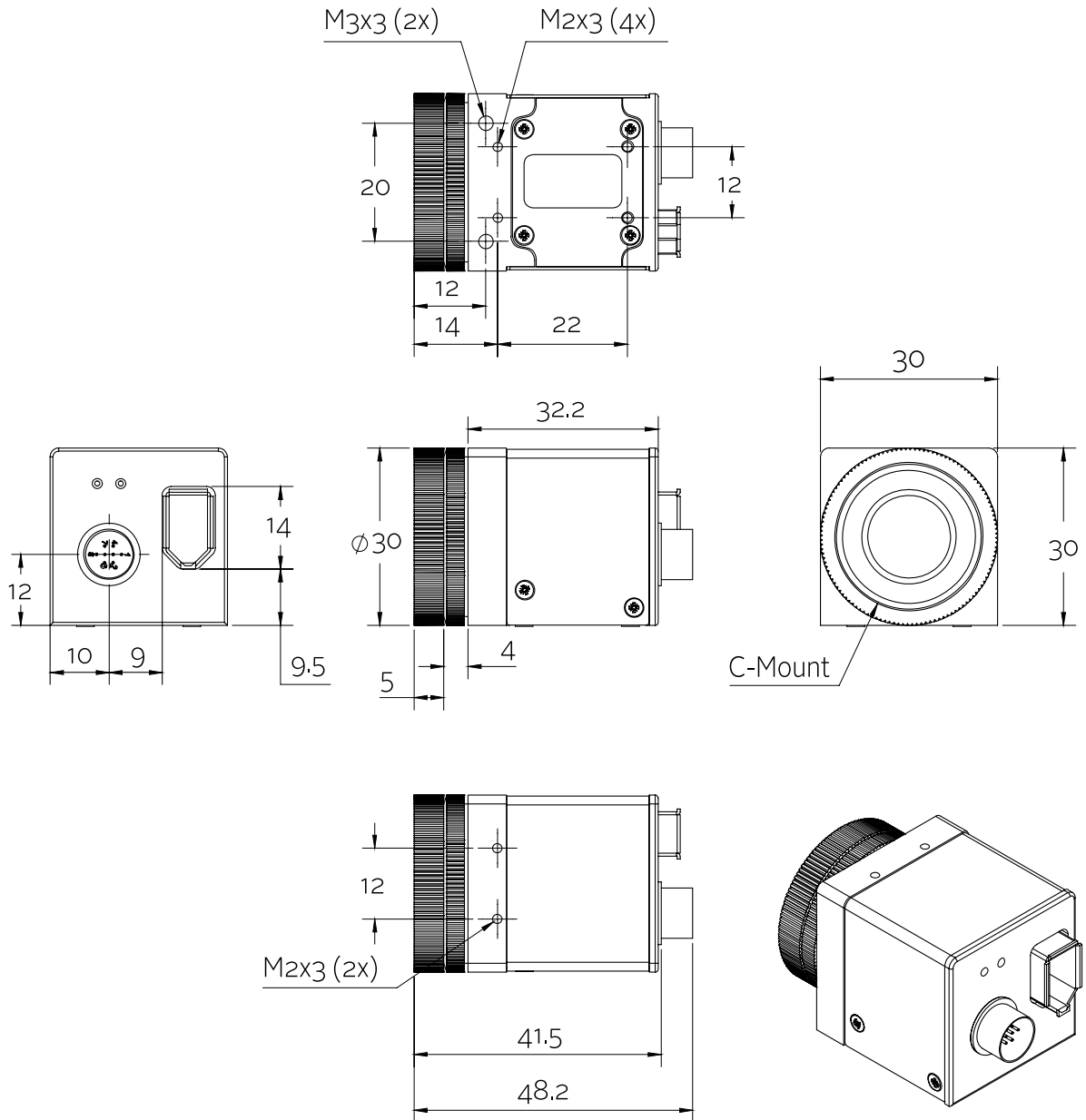
Guppy	F-503
<b>Operating conditions/dimensions</b>	
Operating temperature	+5 °C to +45 °C
Power requirements (DC)	8 V to 36 V
Power consumption (@12 V)	<2 W
Mass	50 g
Body dimensions (L × W × H in mm)	48.2 × 30 × 30 (including connectors)
Regulations	CE, RoHS, REACH, WEEE, FCC



## Features

- High Dynamic Range (HDR) mode
- Defect pixel correction
- Reverse X/Y
- Look-up table (LUT)
- Binning
- Decimation
- Area of interest (AOI), separate AOI for auto features
- Auto gain (0 to 26 dB)
- Auto exposure (41 μs to 2.3 s)
- Auto white balance
- Storable user sets

## Technical drawing





## Applications

The Guppy F-503B/F-503C is an economically priced 5 Megapixel camera; its CMOS sensor has no blooming and features the defect pixel correction mode. This camera fits a variety of applications:

- Quality control
- Industrial inspection
- Security and surveillance
- ITS/Traffic monitoring