



Guppy F-146



- IEEE 1394a camera
- Lightweight
- Robust design
- Machine vision camera

Description

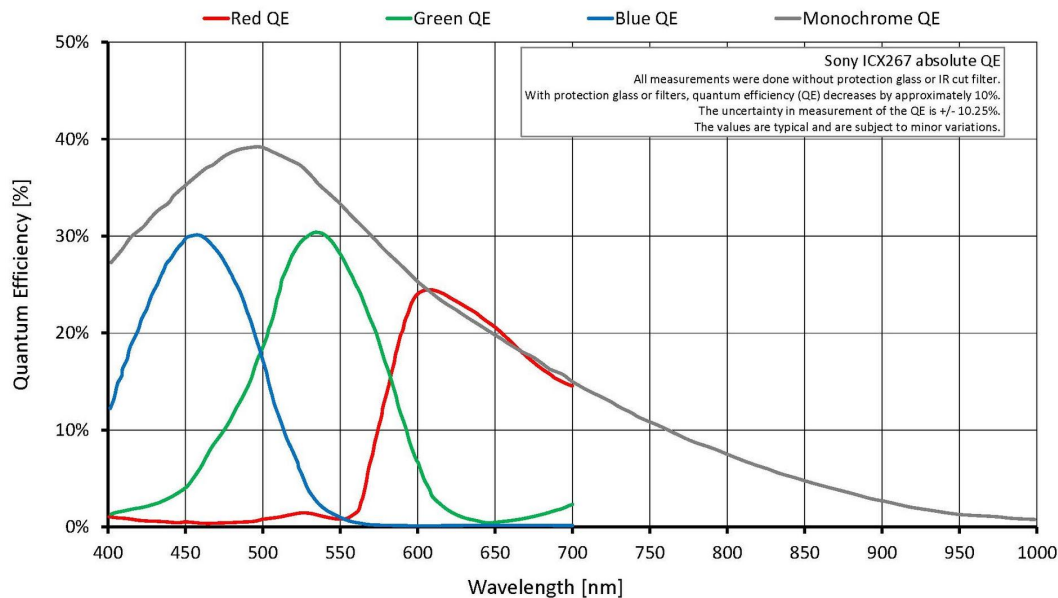
Very compact IEEE 1394a camera - attractive price - 1.4 Megapixel, Sony ICX267

The Guppy F-146B/F-146C is a very compact, economically priced camera with a sensitive Sony CCD sensor (Sony ICX267). At full resolution, it runs at up to 17.7 frames per second. Higher frame rates can be reached by a smaller area of interest (AOI).

Specifications

Guppy	F-146
Interface	IEEE 1394a - 400 Mb/s, 1 port
Resolution	1392 (H) × 1040 (V)
Sensor	Sony ICX267
Sensor type	CCD Progressive
Sensor size	Type 1/2
Pixel size	4.65 μm × 4.65 μm
Lens mount (default)	C-Mount, CS-Mount
Max. frame rate at full resolution	17 fps
ADC	12 bit
Image buffer (RAM)	
	Output
Bit depth	8/12 bit
Monochrome pixel formats	Mono8, Mono12, Mono16
RGB color pixel formats	n/a
Raw pixel formats	Raw8, Raw12, Raw16
	General purpose inputs/outputs (GPIOs)
TTL I/Os	1 input, 3 outputs

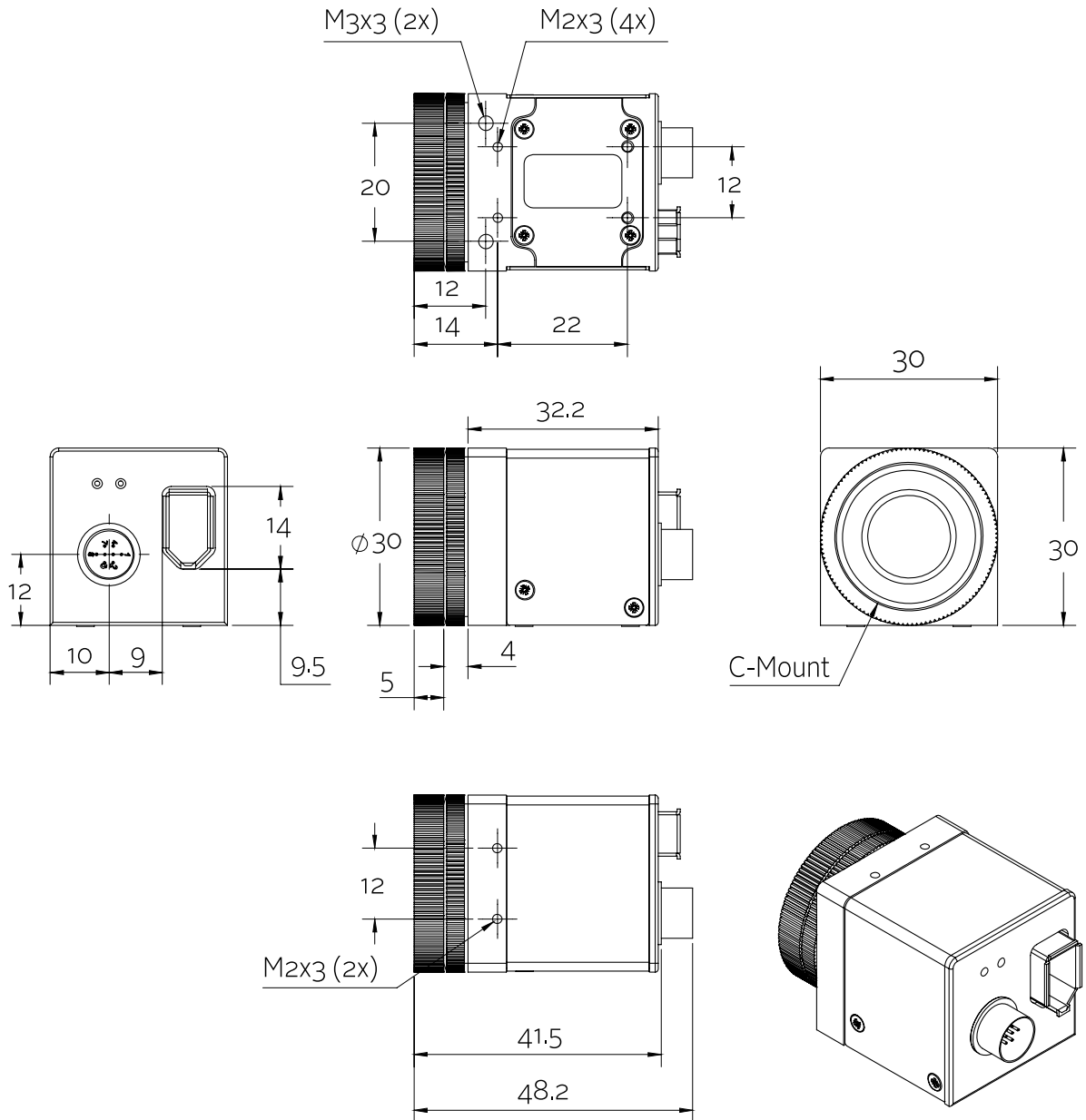
Guppy	F-146
RS232	1
Operating conditions/dimensions	
Operating temperature	+5 °C to +45 °C
Power requirements (DC)	8 V to 36 V
Power consumption	<2 W (@ 12 VDC)
Mass	50 g
Body dimensions (L × W × H in mm)	48.2 × 30 × 30 (including connectors)
Regulations	CE: 2014/30/EU (EMC), 2011/65/EU (RoHS); FCC Class B



Features

- Look-up table (LUT)
- Area of interest (AOI), separate AOI for auto features
- Auto gain (0 to 24 dB)
- Auto exposure (40 μ s to 67 s)
- Auto white balance
- Storable user sets

Technical drawing





Applications

The Guppy F-146B/F-146C has a very economical price, is ultra-compact and fits a large variety of applications:

- Machine vision
- Quality control
- Robotics
- Industrial inspection
- Security and surveillance