



Guppy F-080



- IEEE 1394a camera
- Lightweight
- Robust design
- Machine vision camera

Description

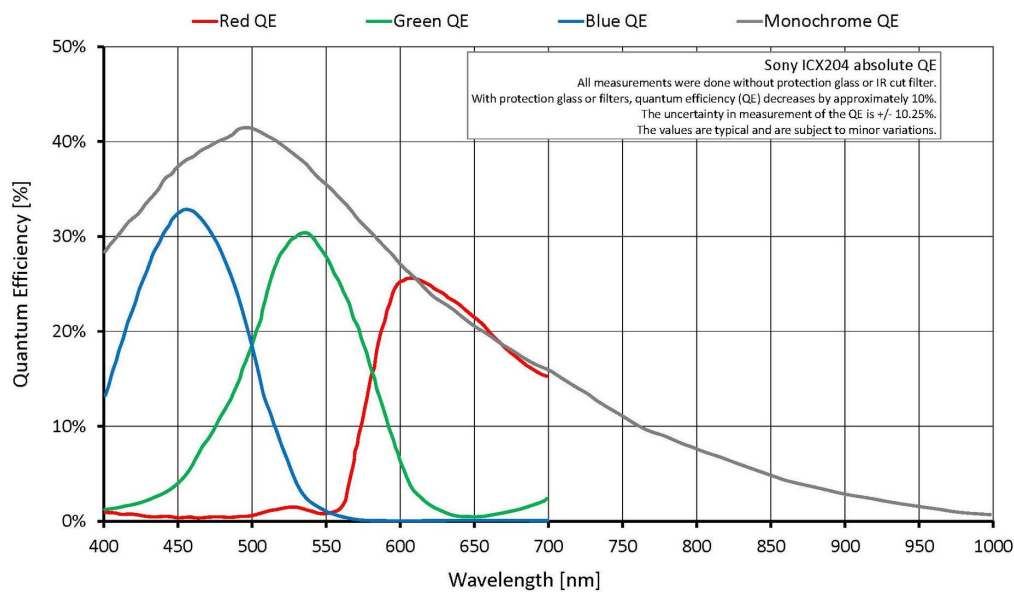
FireWire camera - very compact - attractive price - Sony ICX204

The Guppy F-080B/F-080C FireWire camera is very compact, economically priced and includes the sensitive Sony ICX204 CCD sensor. At full resolution, this FireWire camera runs at up to 30 frames per second. Higher frame rates can be reached by a smaller area of interest (AOI).

Specifications

Guppy	F-080
Interface	IEEE 1394a - 400 Mb/s, 1 port
Resolution	1032 (H) × 778 (V)
Sensor	Sony ICX204
Sensor type	CCD Progressive
Cell size	4.65 μm x 4.65 μm
Lens mount	C-Mount, CS-Mount
Max frame rate at full resolution	30 fps
ADC	12 bit
Image buffer (RAM)	
	Output
Bit depth	8 bit
Mono modes	Mono8
Color modes RGB	n/a
Raw modes	Raw8
	General purpose inputs/outputs (GPIOs)
TTL I/Os	1 input, 3 outputs
RS-232	1

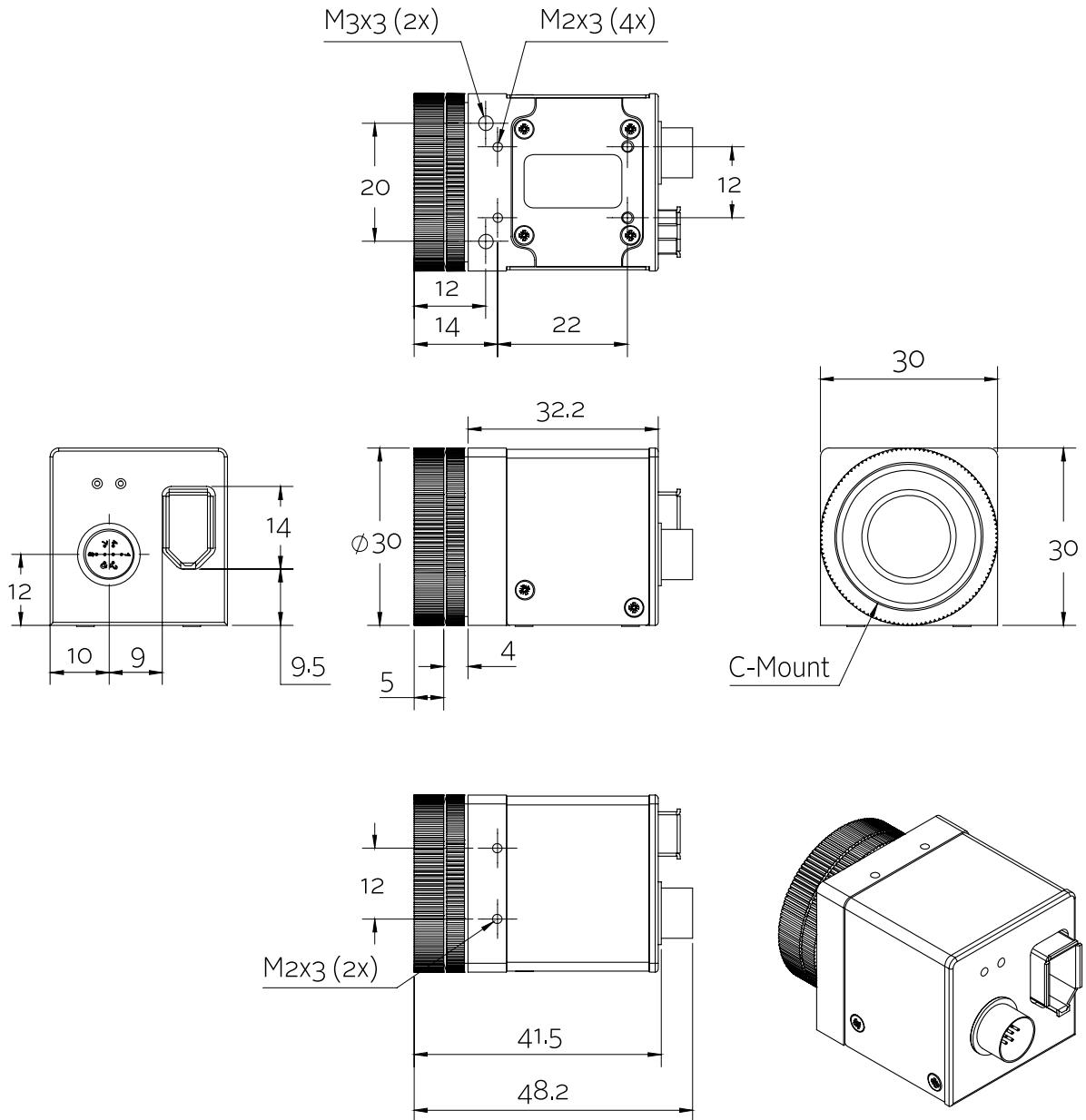
Guppy	F-080
Operating conditions/dimensions	
Operating temperature	+5 °C to +45 °C
Power requirements (DC)	8 V to 36 V
Power consumption (@12 V)	<2 W
Mass	50 g
Body dimensions (L × W × H in mm)	48.2 × 30 × 30 (including connectors)
Regulations	CE, RoHS, REACH, WEEE, FCC



Features

- Look-up table (LUT)
- Area of interest (AOI), separate AOI for auto features
- Auto gain (0 to 24 dB)
- Auto exposure (54 μ s to 67 s)
- Auto white balance
- Storable user sets

Technical drawing





Applications

The Guppy F-080B/F-080C is a compact mainstream FireWire camera with a very good pricing - it fits for many applications:

- Machine vision
- Quality control
- Robotics
- Industrial inspection
- Security
- ITS/Traffic monitoring