



Guppy F-046

- IEEE 1394a camera
- Lightweight
- Robust design
- Machine vision camera

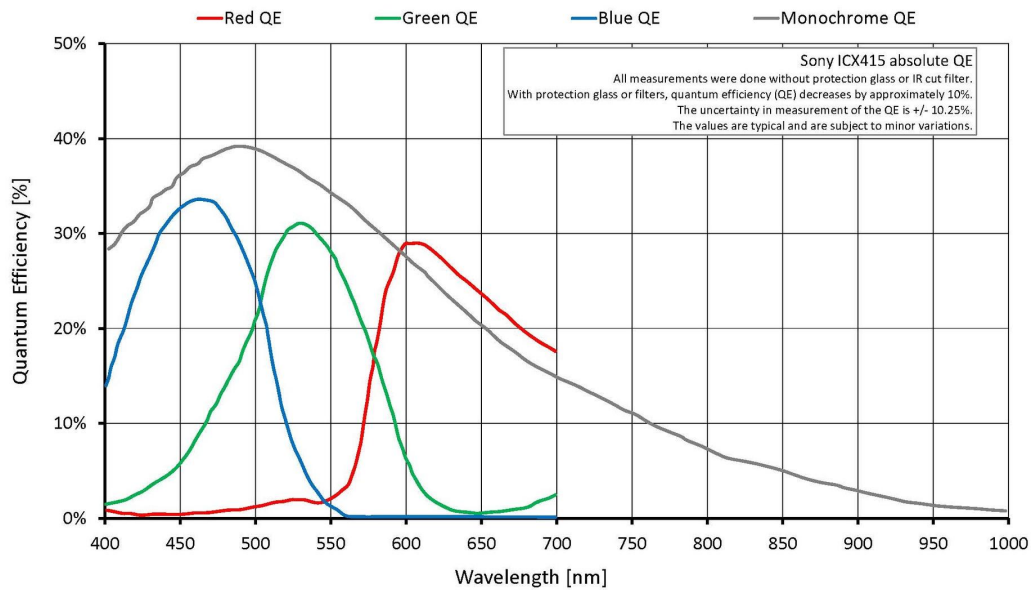
Very compact, inexpensive FireWire camera - 0.5 Megapixels

The Guppy F-046B/F-046C is a very compact, inexpensive camera with a sensitive Sony CCD sensor. At full resolution, it runs at up to 49.4 frames per second. Higher frame rates can be reached by a smaller area of interest (AOI).

Specifications

Guppy	F-046
Interface	IEEE 1394a - 400 Mb/s, 1 port
Resolution	780 (H) × 582 (V)
Sensor	Sony ICX415
Sensor type	CCD Progressive
Sensor size	Type 1/2
Pixel size	8.3 μm × 8.3 μm
Lens mount (default)	C-Mount, CS-Mount
Max. frame rate at full resolution	49 fps
ADC	12 bit
Image buffer (RAM)	
	Output
Bit depth	8 Bit
Monochrome pixel formats	Mono8
RGB color pixel formats	n/a
Raw pixel formats	Raw8
	General purpose inputs/outputs (GPIOs)
TTL I/Os	1 input, 3 outputs
RS232	1
	Operating conditions/dimensions
Operating temperature	+5 °C to +45 °C

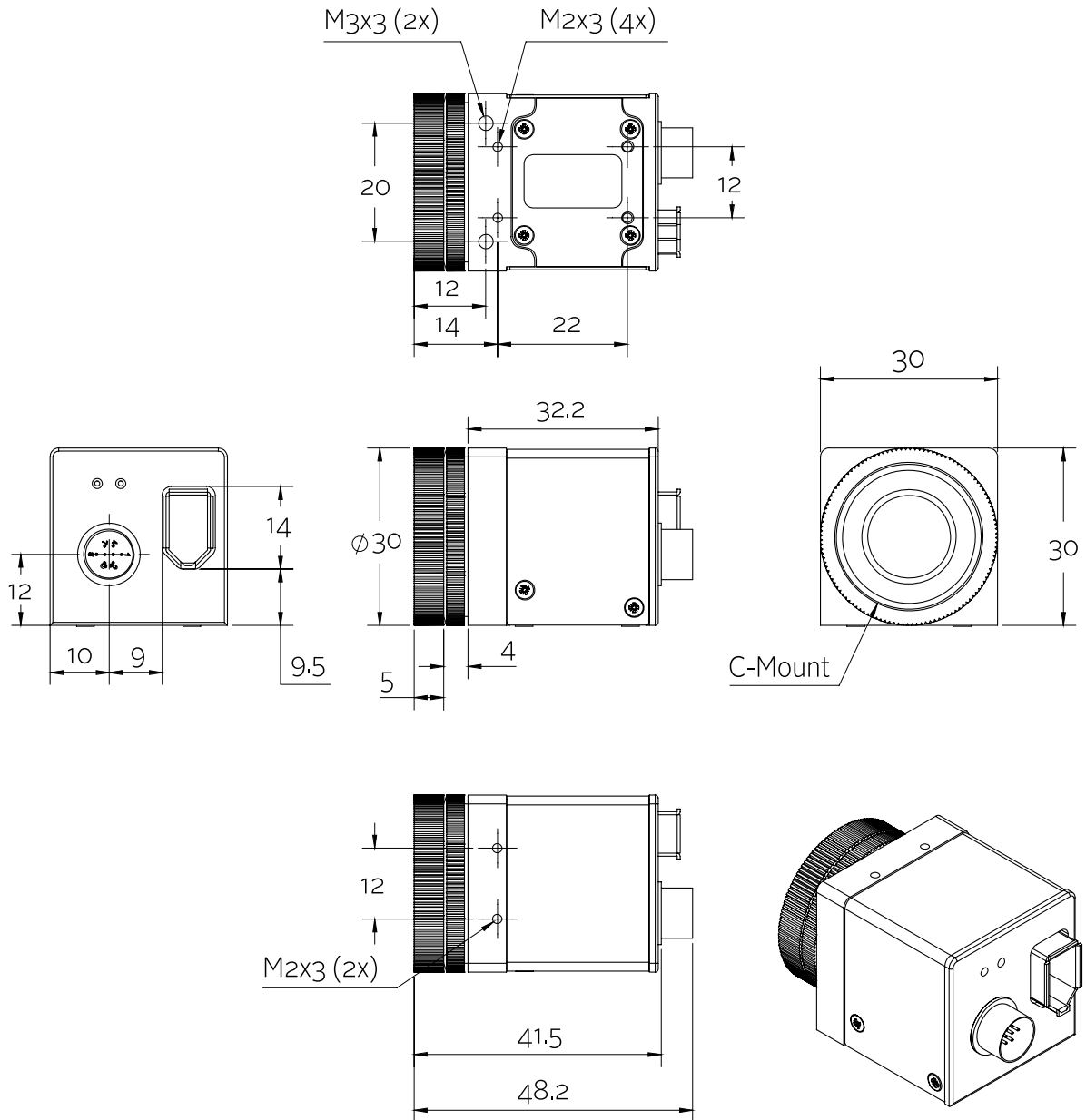
Guppy	F-046
Power requirements (DC)	8 V to 36 V
Power consumption	<2 W (@ 12 VDC)
Mass	50 g
Body dimensions (L × W × H in mm)	48.2 × 30 × 30 (including connectors)
Regulations	CE: 2014/30/EU (EMC), 2011/65/EU, including amendment 2015/863/EU (RoHS); FCC Class B



Features

- Look-up table (LUT)
- Area of interest (AOI), separate AOI for auto features
- Auto gain (0 to 24 dB)
- Auto exposure (42 μ s to 67 s)
- Auto white balance
- Storable user sets

Technical drawing





Applications

This inexpensive, reliable mainstream 0.5 Megapixel camera addresses a wide range of imaging applications (e.g. robotics). With its ultra-compact housing, the Guppy F-046B/F-046C is the perfect fit for all applications with space constraints.

- Machine vision
- Robotics (robust, lightweight housing)
- Quality control
- Ophthalmology
- Semiconductor inspection
- Industrial inspection
- ITS/Traffic monitoring