



Guppy F-038

- IEEE 1394a camera
- Lightweight
- Robust design
- Machine vision camera

Description

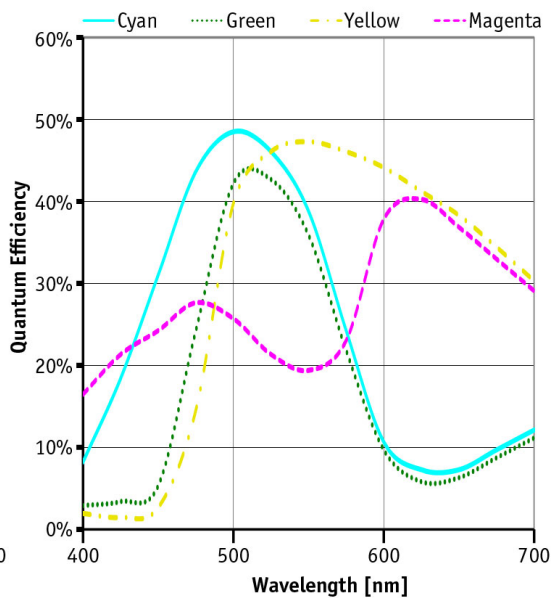
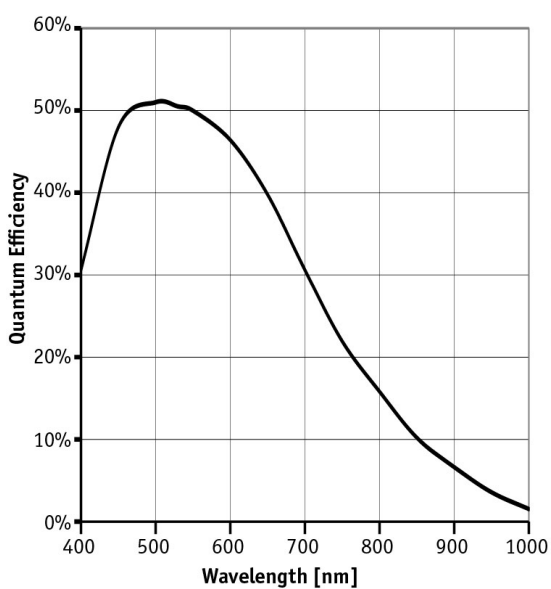
Sensitive machine vision camera, 0.4 Megapixel, interlaced sensor

The Guppy F-038B/F-038C is equipped with a sensitive **interlaced** sensor - which makes the move from analog to digital machine vision cameras very easy. At full resolution, it runs at up to 30 frames per second. Higher frame rates can be reached by a smaller area of interest (AOI).

Specifications

Guppy	F-038
Interface	IEEE 1394a - 400 Mb/s, 1 port
Resolution	768 (H) × 492 (V)
Sensor	Sony ICX418
Sensor type	CCD Interlaced
Sensor size	Type 1/2
Pixel size	8.4 μm × 9.8 μm
Lens mount (default)	C-Mount, CS-Mount
Max. frame rate at full resolution	30 fps
ADC	12 bit
Image buffer (RAM)	
	Output
Bit depth	8 bit
Monochrome pixel formats	Mono8
RGB color pixel formats	n/a
Raw pixel formats	Raw8
	General purpose inputs/outputs (GPIOs)
TTL I/Os	1 input, 3 outputs

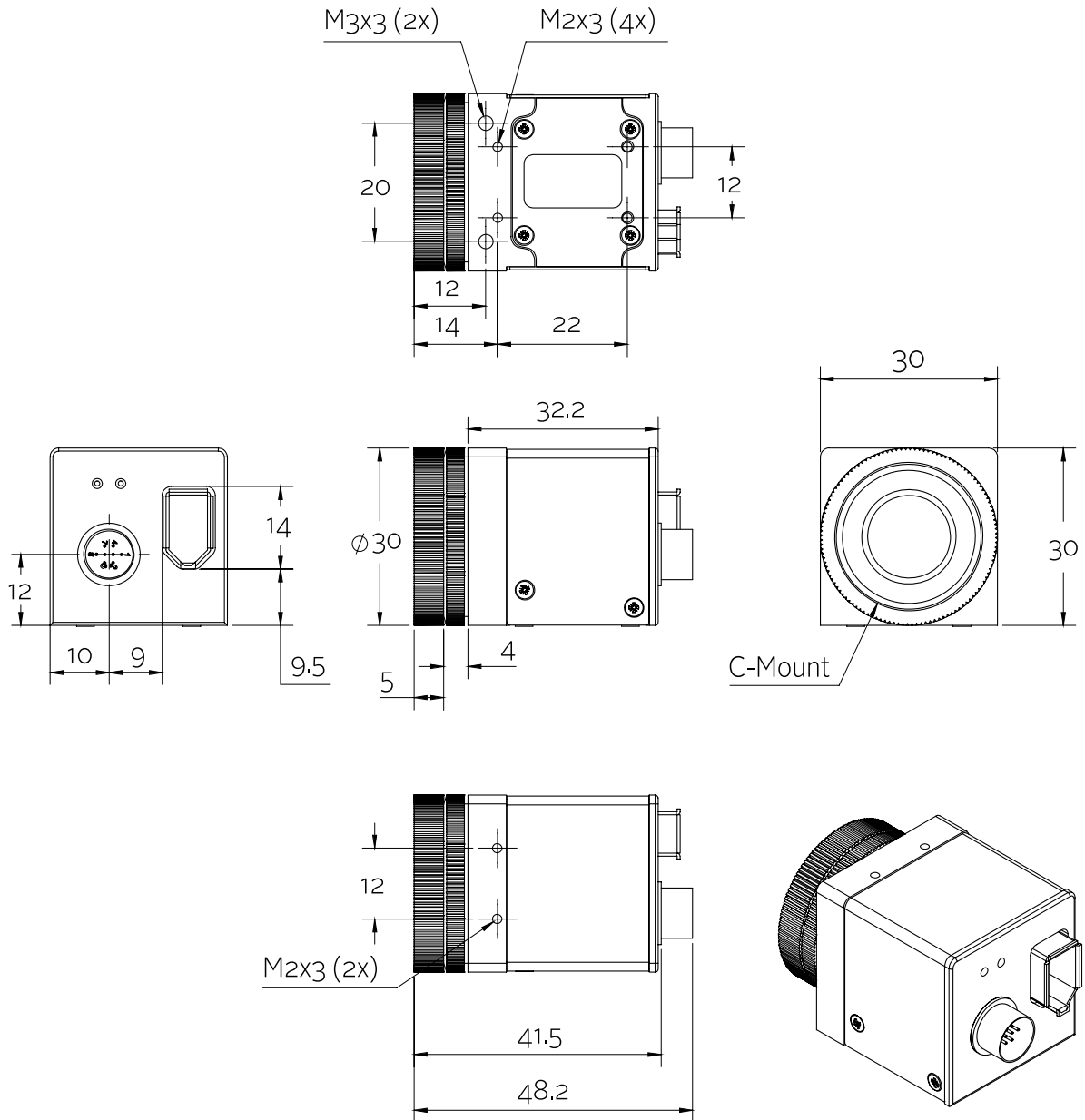
Guppy	F-038
RS232	1
Operating conditions/dimensions	
Operating temperature	+5 °C to +45 °C
Power requirements (DC)	8 V to 36 V
Power consumption	<2 W (@ 12 VDC)
Mass	50 g
Body dimensions (L × W × H in mm)	48.2 × 30 × 30 (including connectors)
Regulations	CE: 2014/30/EU (EMC), 2011/65/EU (RoHS); FCC Class B



Features

- Look-up table (LUT)
- Area of interest (AOI), separate AOI for auto features
- Auto gain (0 to 24 dB)
- Auto exposure (62 μ s to 67 s)
- Auto white balance
- Storable user sets

Technical drawing





Applications

Thanks to its sensitive interlaced sensor, the Guppy F-038B/F-038C is a very cost-effective, easy solution for the switch from analog to digital machine vision cameras.

- Machine vision
- Quality control
- Robotics
- Industrial inspection
- Security and surveillance
- ITS/Traffic monitoring