



Guppy

F-036

- IEEE 1394a camera
- Lightweight
- Robust design
- Machine vision camera

Description

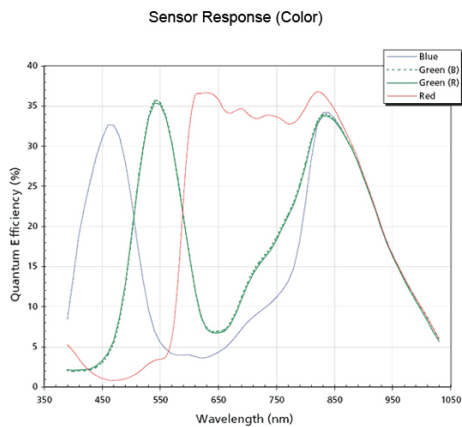
Ultra-compact, inexpensive high contrast VGA camera with HDR mode

The Guppy F-036B/F-036C is an ultra-compact, inexpensive VGA camera for applications with high contrasts. It is equipped with a CMOS sensor by ON Semiconductor (Aptina) which supports the High Dynamic Range (HDR) mode. At full resolution, it runs at up to 58 frames per second. Higher frame rates can be reached by a smaller area of interest (AOI).

Specifications

Guppy	F-036
Interface	IEEE 1394a - 400 Mb/s, 1 port
Resolution	752 (H) × 480 (V)
Sensor	ON Semi MT9V022
Sensor type	CMOS
Sensor size	Type 1/3
Pixel size	6 μm × 6 μm
Lens mount (default)	C-Mount, CS-Mount
Max. frame rate at full resolution	64 fps
ADC	10 bit
Image buffer (RAM)	
	Output
Bit depth	8 bit
Monochrome pixel formats	Mono8
RGB color pixel formats	n/a
Raw pixel formats	Raw8
General purpose inputs/outputs (GPIOs)	

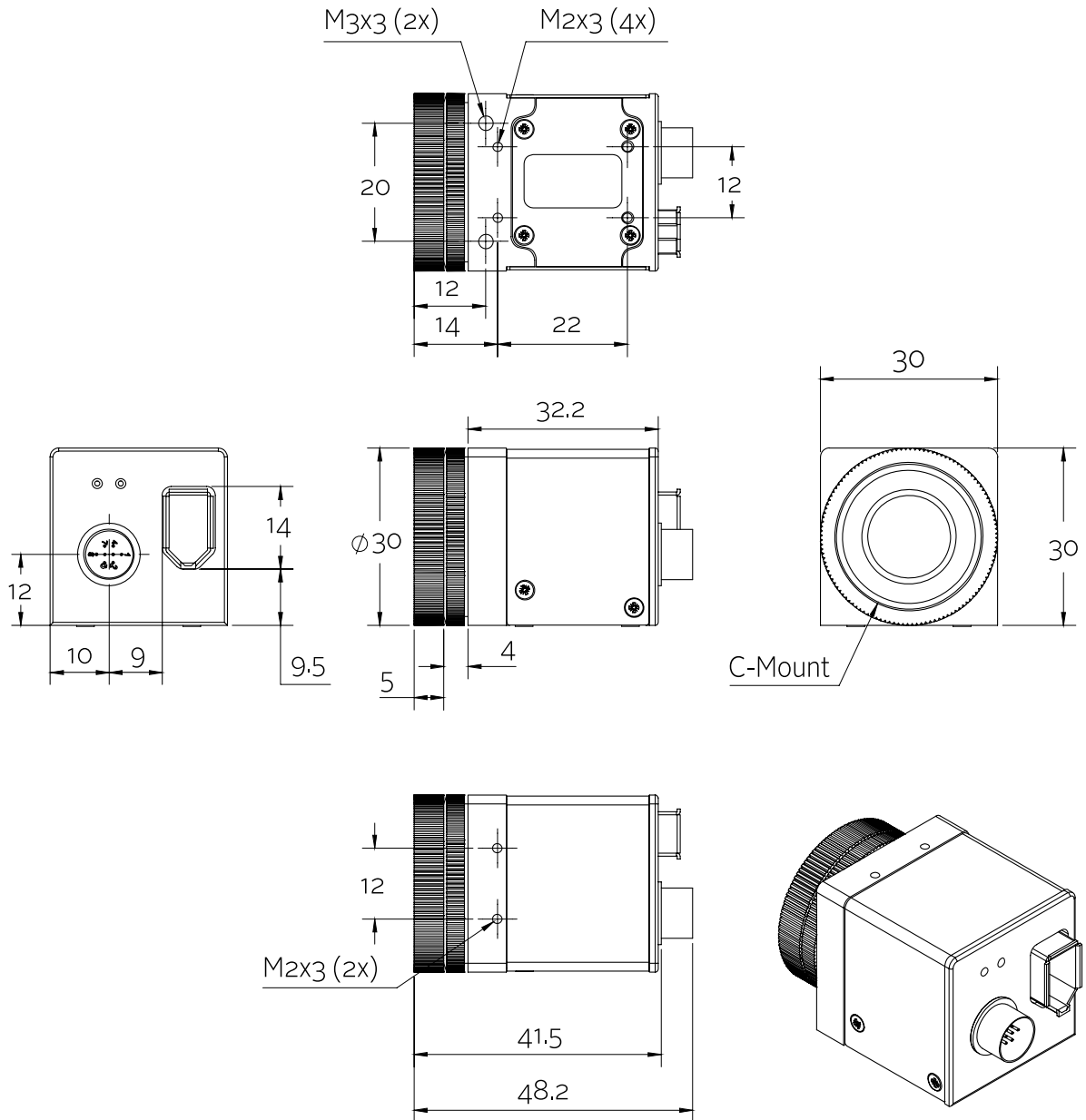
Guppy	F-036
TTL I/Os	1 input, 3 outputs
RS232	1
Operating conditions/dimensions	
Operating temperature	+5 °C to +45 °C
Power requirements (DC)	8 V to 36 V
Power consumption	<2 W (@ 12 VDC)
Mass	50 g
Body dimensions (L × W × H in mm)	48.2 × 30 × 30 (including connectors)
Regulations	CE: 2014/30/EU (EMC), 2011/65/EU (RoHS); FCC Class B



Features

- High Dynamic Range (HDR) mode
- Reverse X/Y
- Look-up table (LUT)
- Binning
- Area of interest (AOI), separate AOI for auto features
- Auto gain (0 to 12 dB)
- Auto exposure (179 µs to 979 ms)
- Auto white balance
- Storable user sets

Technical drawing





Applications

The CMOS sensor of the Guppy F-036B/F-036C has no blooming and supports the High Dynamic Range (HDR) mode. For this reason, this FireWire camera is made for applications with intense illumination and high contrasts.

- Surveillance and Security
- Inspection and Control
- Robotics
- ITS/Traffic monitoring
- Applications with high contrasts