



# Guppy PRO

## F-031



- Compact VGA camera
- Robust metal housing
- Sony ICX618 CCD sensor
- 123 fps

## Description

Small Firewire camera with Sony ICX618 - IEEE 1394b; 123 frames per second

The Guppy PRO F-031B/F-031C is a small IEEE 1394b camera with the Sony ICX618 sensor. This EXview HAD CCD sensor is very sensitive both in the visible spectrum and in the near-infrared (NIR) spectrum.

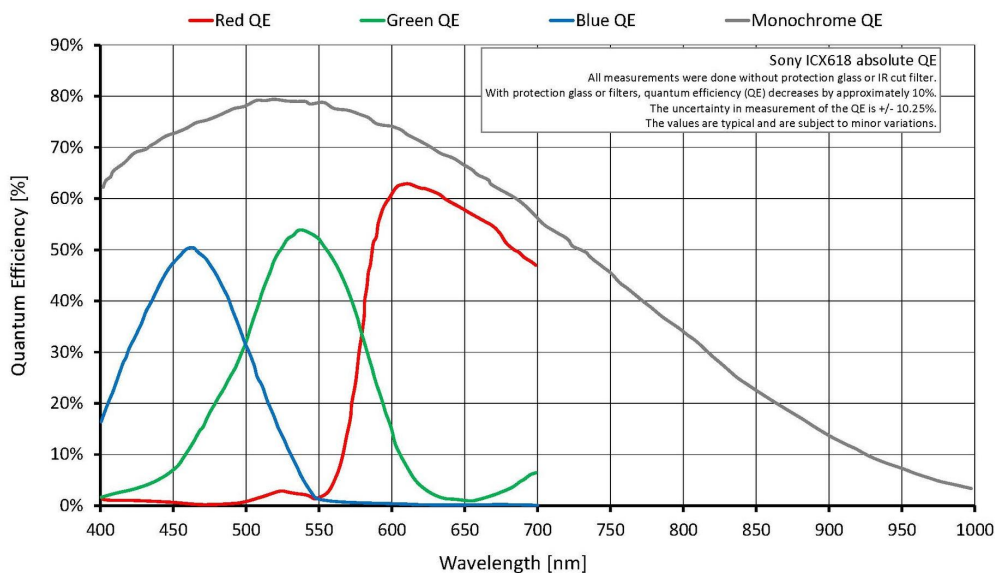
Options

- Various IR cut/pass filters
- White medical housing

## Specifications

<b>Guppy PRO</b>	<b>F-031</b>
Interface	IEEE 1394b - 800 Mb/s, 1 port
Resolution	656 (H) × 492 (V)
Sensor	Sony ICX618
Sensor type	CCD Progressive
Sensor size	Type 1/4
Pixel size	5.6 μm × 5.6 μm
Lens mount (default)	C-Mount
Max. frame rate at full resolution	123 fps
ADC	14 bit
Image buffer (RAM)	
	<b>Output</b>
Bit depth	8-14 bit
Monochrome pixel formats	8/12/16
RGB color pixel formats	RGB8

Guppy PRO	F-031
Raw pixel formats	8/12/16
<b>General purpose inputs/outputs (GPIOs)</b>	
Opto-isolated I/Os	1/3
<b>Operating conditions/dimensions</b>	
Operating temperature	+5 °C to +45 °C
Power requirements (DC)	8 V to 36 V
Power consumption	<3.5 W (@ 12 VDC)
Mass	80 g
Body dimensions (L × W × H in mm)	44.8 × 29 × 29 (including connectors)
Regulations	CE: 2014/30/EU (EMC), 2011/65/EU (RoHS); FCC Class B



## Features

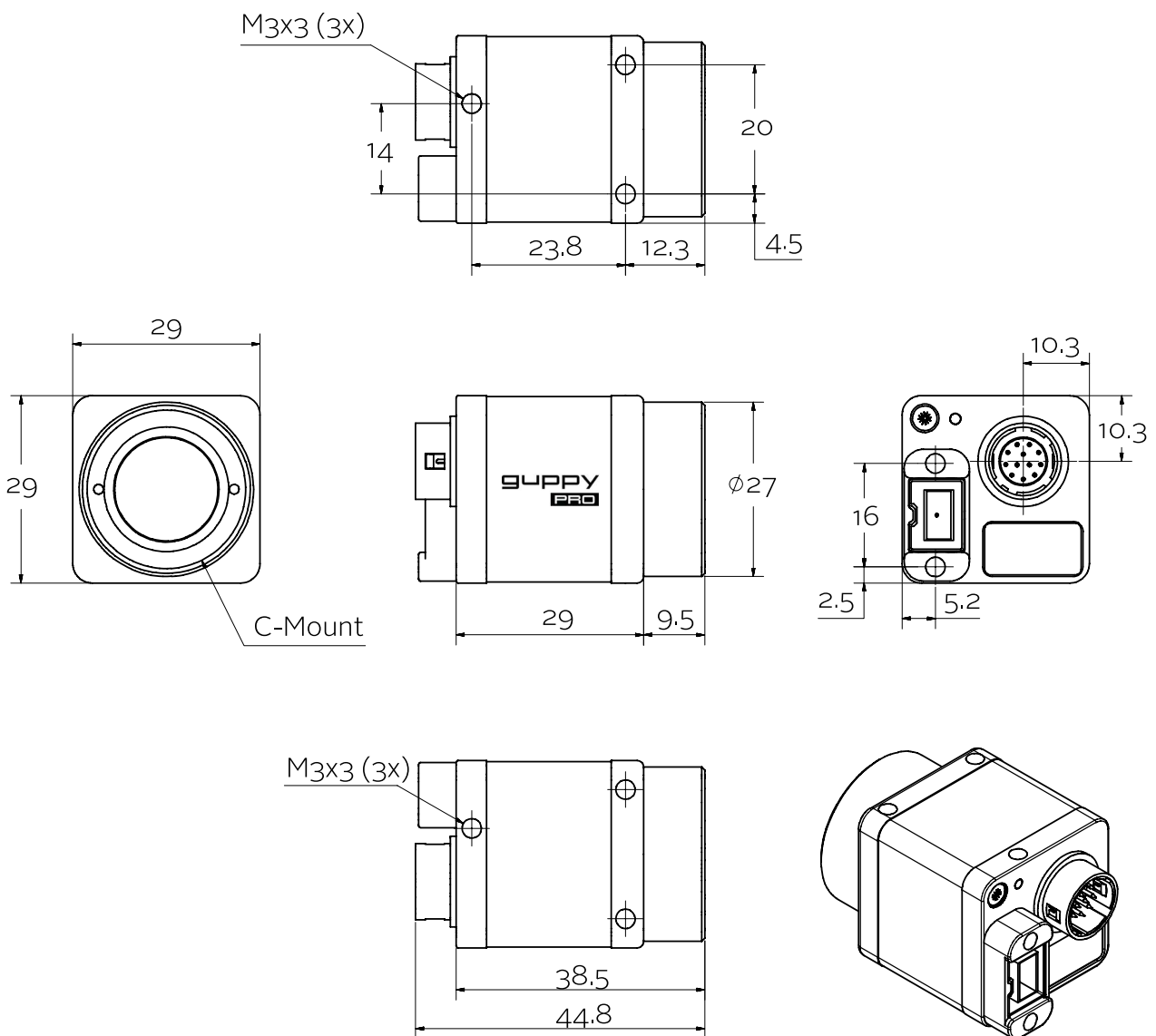
- Look-up table (LUT)
- Gamma correction
- Color correction
- Area of interest (AOI), separate AOI for auto features
- Binning
- Sub-sampling
- Auto gain (manual gain control: 0 to 24.4 dB)
- Auto exposure (75  $\mu$ s to 67 s)
- Trigger programmable, level, single, bulk, programmable delay

- Storable user sets

## Scope of delivery

- Camera and IEEE 1394b cable (other configurations on request)

## Technical drawing





## Applications

The Guppy PRO F-031B/F-031C is a fast and sensitive (also NIR sensitive) camera. Its robust, extremely compact design facilitates the integration into your system.

Typical Applications:

- Machine vision
- Robotics
- Semiconductor inspection
- Logistics
- Security and Surveillance
- Pharmaceutical industry
- Food inspection
- ITS/Traffic monitoring