

SHR CoaXPress

shr811MCX12



General

Model	shr811MCX12
Product code	F004227
Product series	SHR CoaXPress
Status	Available

Sensor

Sensor type	Area scan
Chroma	Mono
Spectrum	Visible
Spectral range	400 nm to 1000 nm
Resolution	19,200 × 12,800 (245.80 MP)
Sensor model	Sony IMX811
Sensor architecture (material)	cmos
Shutter type(s)	rolling-shutter
Sensor size	53.95 × 35.97 mm (64.84 mm, 64.84mm (Type 4.1))
Pixel size	2.81 μm × 2.81 μm

Pixel formats

Sensor bit depth	12-Bit,14-Bit,16-Bit
Monochrome pixel formats	mono12, mono14, mono16

Imaging performance

Dynamic range	77.8 dB
SNR	44.4 dB

Timing and gain

Max. frame rate	12.4 fps
Exposure time	60 μ s to 60 s
Gain	0.0 dB to 24.0 dB

I/Os and power

Non-isolated lines	0 x LVDS input, 0 x LVDS output, 0 x TTL input, 0 x TTL output, 2 x 24V input, 4 x Open drain output,
Specific non-isolated lines	1 x RS232 input, 1 x RS232 output, 0 x RS422 input, 0 x RS422 output,
Opto-isolated lines	1 x Optical isolated input, 0 x Optical isolated input,
Power supply	10 to 25VDC, Power over CoaXPress
Power consumption	External: 17 W (typical)

Operating conditions

Operating temperature (housing)	-10 °C to 60 °C
---------------------------------	-----------------

Mechanical properties

Body dimensions (L x W x H in mm)	86 x 80 x 80
IP class	IP30
Lens mount(s)	M72x0.75
Weight	600 g

On-board memory and FPGA

Non-volatile memory (Flash)	160 MByte
-----------------------------	-----------

Interfaces

Digital interface	xcp-12 with 4 connections
Interface connector	(micro-BNC)

FW features - image control

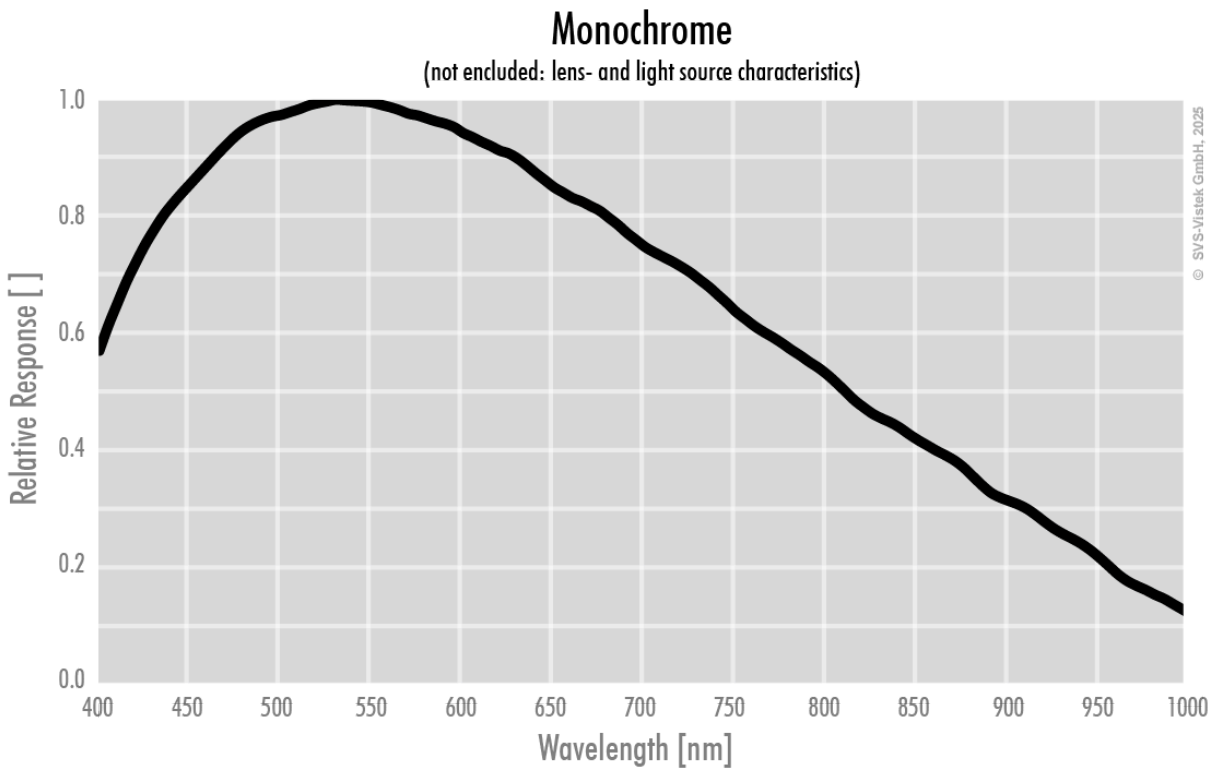
Exposure modes	Manual, Auto
Gain modes	Auto, Manual
Image control features	FW Features - Image Control

FW features - camera control

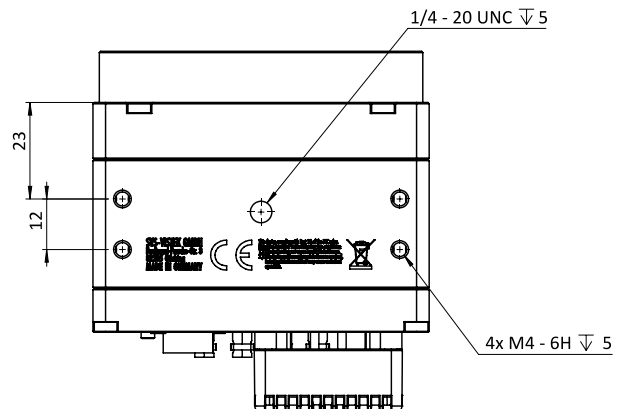
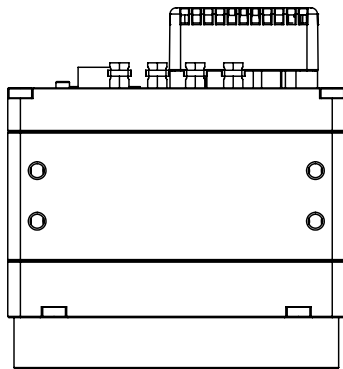
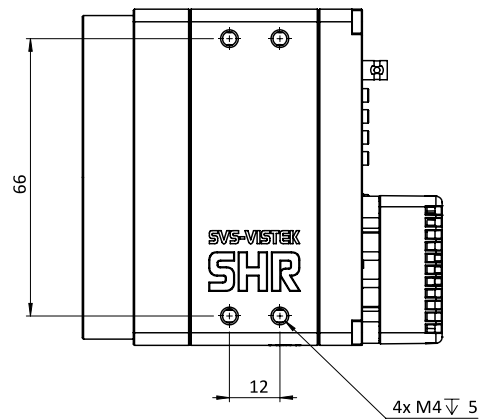
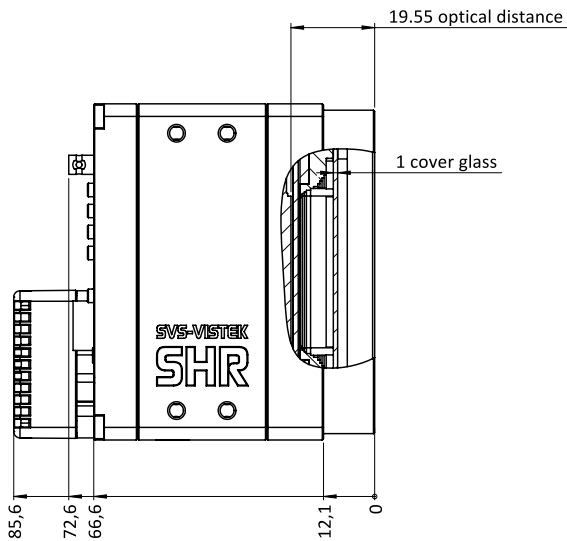
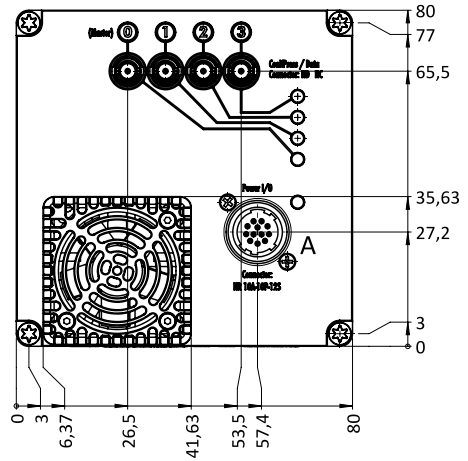
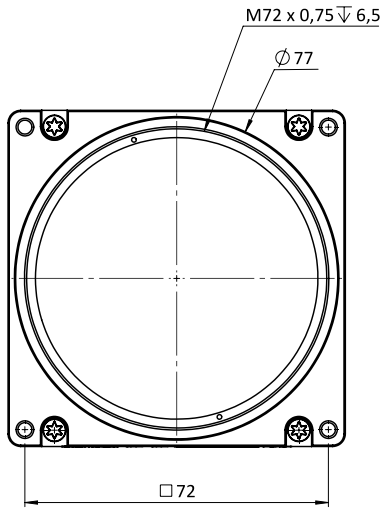
Trigger modes/sync INTERNAL,SOFTWARE,EXTERNAL

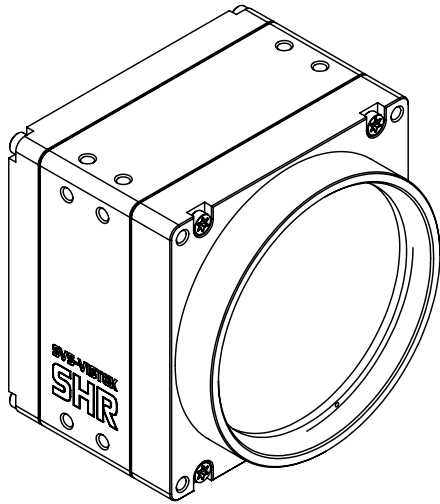
Camera control features PoCxP, User Sets, PWM(4), Sequencer,

Quantum Efficiency



Technical Drawing





I/O pin assignment



1	VIN - (GND)	7	OUT 1 (open drain)
2	VIN + (10 V to 25 V DC)	8	OUT 2 (open drain)
3	IN 4 (RXD RS232)	9	IN 3 + (opto In +)
4	OUT 4 (TXD RS232)	10	IN 3 - (opto In -)
5	IN 1 (0-24V)	11	OUT 3 (open drain)
6	IN 2 (0-24V)	12	OUT 0 (open drain)