

# SHR 10GigE

shr661MXGE



## General

Model:	shr661MXGE
Product code:	F004143
Product series:	SHR 10GigE
Status:	Available

## Sensor

Sensor type:	Area scan
Chroma:	Mono
Spectrum:	Visible
Spectral range:	400 nm to 1000 nm
Resolution:	13,392 × 9,528 (127.60 MP)
Sensor model:	Sony IMX661
Sensor architecture (material):	cmos
Shutter type(s):	global-shutter
Sensor size:	46.2 × 32.87 mm (56.7 mm, 56.73mm (Type 3.6))
Pixel size:	3.45 μm × 3.45 μm

## Pixel formats

Sensor bit depth:	8-Bit,12-Bit,12-Bit
Monochrome pixel formats:	mono8, mono12packed

## Imaging performance

Dynamic range: 74.4 dB

SNR: 41.5 dB

## Timing and gain

Max. frame rate: 8.2 fps

Exposure time: 163  $\mu$ s to 60 s

Gain: 0.0 dB to 36.0 dB

## I/Os and power

Non-isolated lines: 0 x LVDS input, 0 x LVDS output, 0 x TTL input, 0 x TTL output, 2 x 24V input, 4 x Open drain output,

Specific non-isolated lines: 1 x RS232 input, 1 x RS232 output, 0 x RS422 input, 0 x RS422 output,

Opto-isolated lines: 1 x Optical isolated input, 0 x Optical isolated input,

Power supply: 10 to 25VDC, Power over Ethernet (POE+, in option -P)

Power consumption: External: 18 W (typical)

## Operating conditions

Operating temperature (housing): -10 °C to 60 °C

## Mechanical properties

Body dimensions (L x W x H in mm): 83 x 80 x 80

Filter/protection glass: Borofloat B270i - AR coating

IP class: IP30

Lens mount(s): M72x0.75

Weight: 580 g

## On-board memory and FPGA

Non-volatile memory (Flash): 32 MByte

## Interfaces

Digital interface: 10gige

Interface connector: (RJ-45)

## FW features - image control

Exposure modes: Manual, Auto, External

Gain modes: Auto, Manual

Image control features: FW Features - Image Control

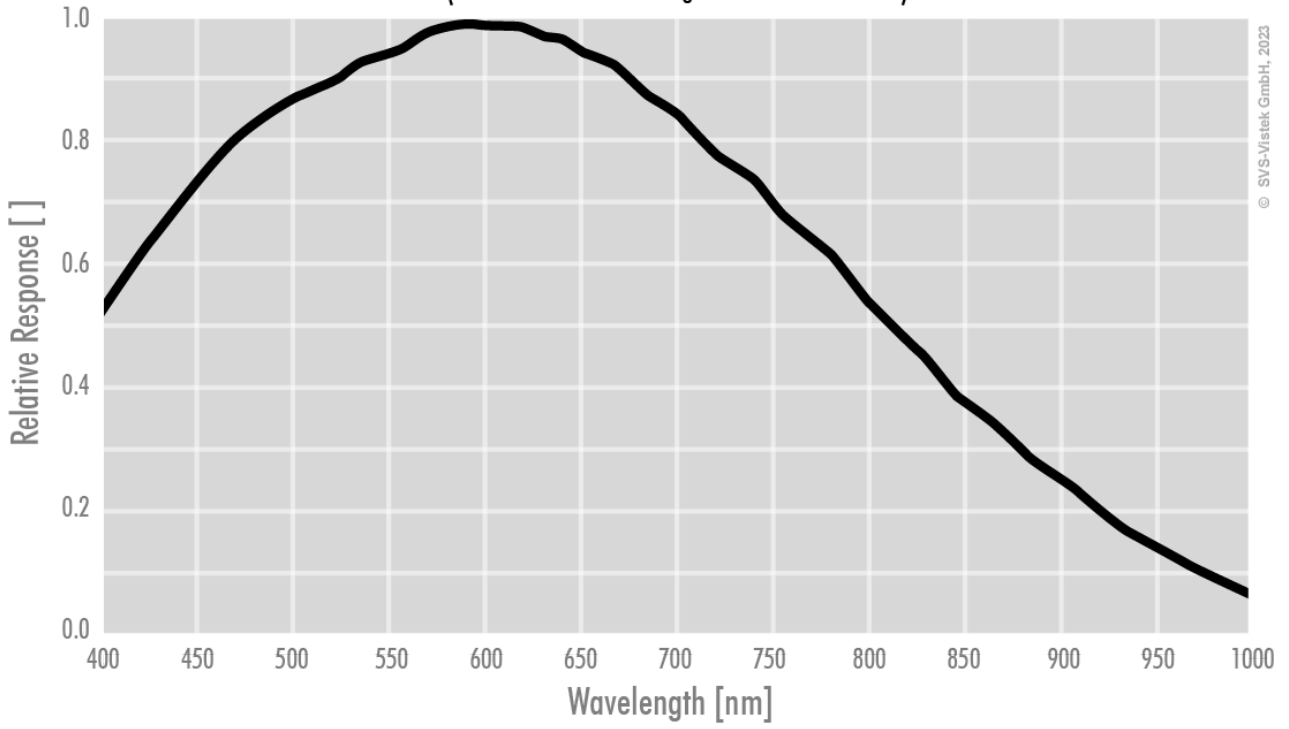
## FW features - camera control

Trigger modes/sync: INTERNAL,SOFTWARE,EXTERNAL

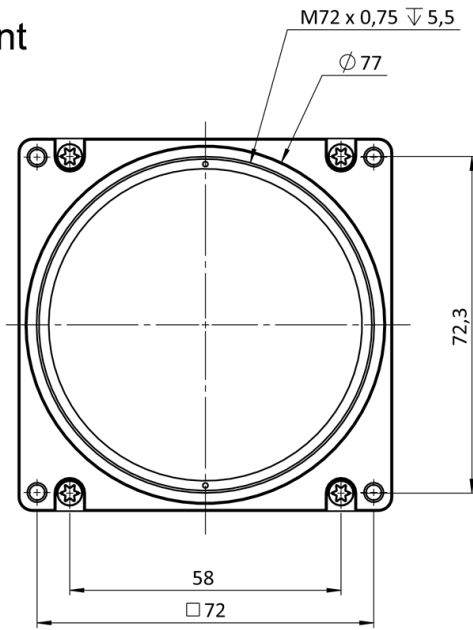
Camera control features: User Sets, POE, PWM(4), Sequencer,

## Monochrome

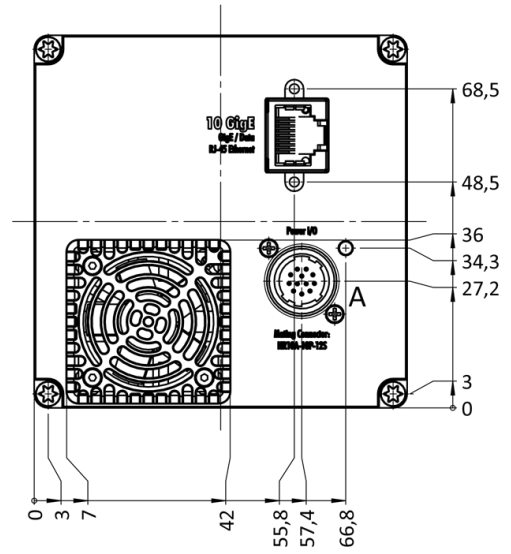
(not included: lens- and light source characteristics)



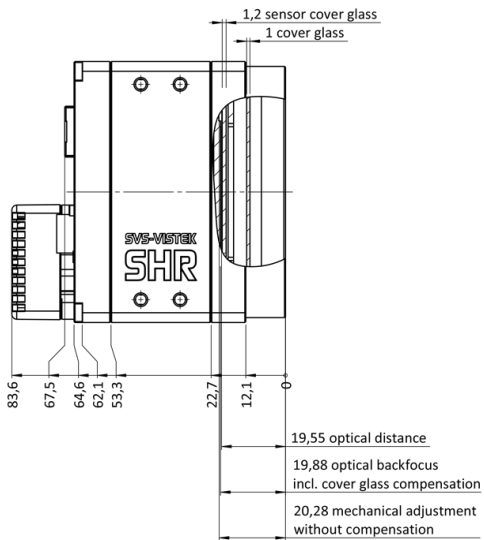
front



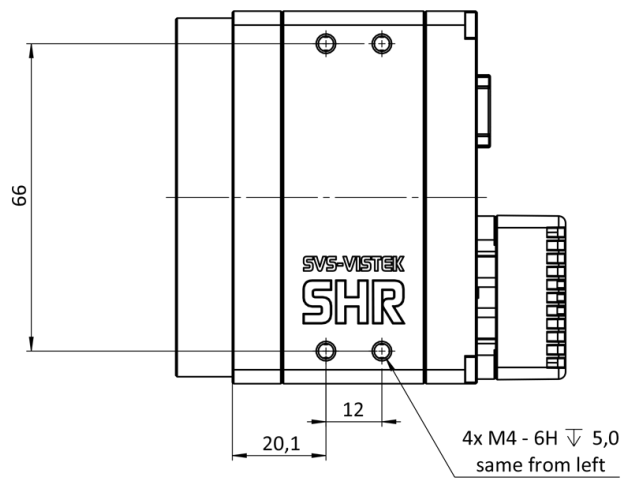
back



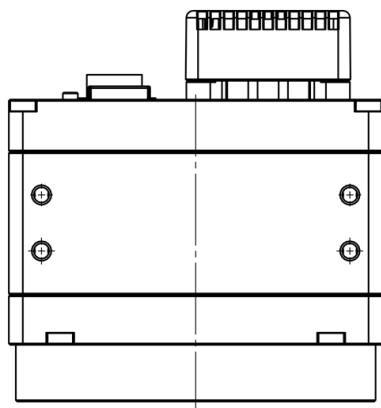
cross section



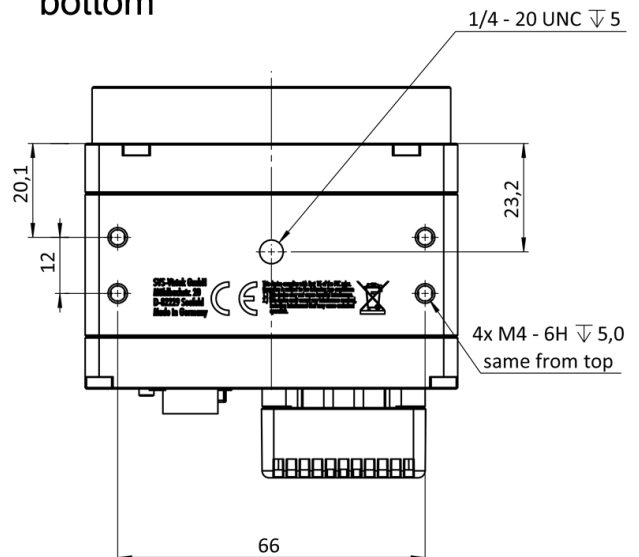
right side



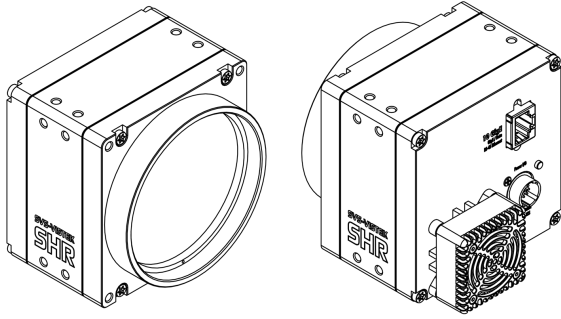
top



bottom



3D



## I/O pin assignment

Hirose 12 Pin



1	VIN -	(GND)	7	OUT 1	(open drain)
2	VIN +	(10 V to 25 V DC)	8	OUT 2	(open drain)
3	IN 4	(RXD RS232)	9	IN 3 +	(opto In +)
4	OUT 4	(TXD RS232)	10	IN 3 -	(opto In -)
5	IN 1	(0-24V)	11	OUT 3	(open drain)
6	IN 2	(0-24V)	12	OUT 0	(open drain)