

SHR 10GigE

shr461CXGE



General

Model:	shr461CXGE
Product code:	F004108
Product series:	SHR 10GigE
Status:	Available

Sensor

Sensor type:	Area scan
Chroma:	Color
Spectrum:	Visible
Spectral range:	400 nm to 1000 nm
Resolution:	11,648 × 8,742 (101.80 MP)
Sensor model:	Sony IMX461LQA
Sensor architecture (material):	cmos
Shutter type(s):	rolling-shutter
Sensor size:	43.8 × 32.87 mm (54.76 mm, 55mm (Type 3.4))
Pixel size:	3.76 μm × 3.76 μm

Pixel formats

Sensor bit depth:	8-Bit, 12-Bit, 16-Bit
RGB pixel formats:	bayer8, bayer12, bayer16

Imaging performance

Dynamic range:	81.3 dB
SNR:	46.8 dB

Timing and gain

Max. frame rate:	8.7
Exposure time:	60 µs to 60 s
Gain:	0.0 dB to 36.0 dB

I/Os and power

Non-isolated lines:	0 x LVDS input, 0 x LVDS output, 0 x TTL input, 0 x TTL output, 2 x 24V input, 4 x Open drain output,
Specific non-isolated lines:	1 x RS232 input, 1 x RS232 output, 0 x RS422 input, 0 x RS422 output,
Opto-isolated lines:	1 x Optical isolated input, 0 x Optical isolated input,
Power supply:	10 to 25VDC, Power over Ethernet (POE+, in option -P)
Power consumption:	External: 17 W (typical)

Mechanical properties

Body dimensions (L x W x H in mm):	83 × 80 × 80
Filter/protection glass:	Borofloat B270i - AR coating
IP class:	IP30
Lens mount(s):	M72x0.75
Weight:	580 g

Interfaces

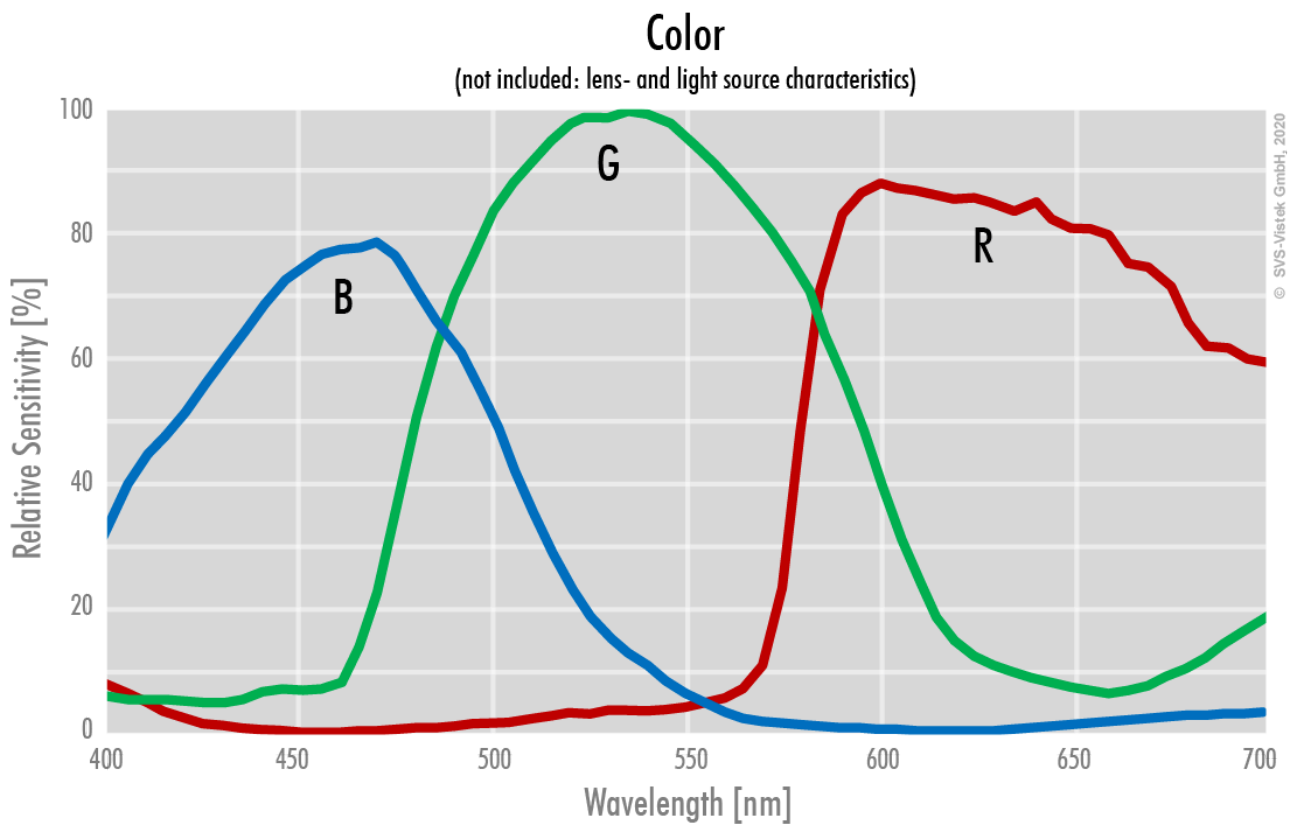
Digital interface:	10gige
Interface connector:	(RJ-45)

FW features - image control

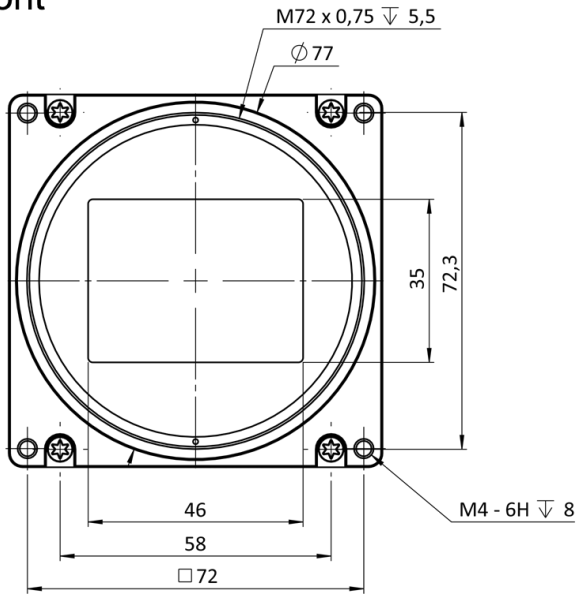
Exposure modes:	Manual, Auto, External
Gain modes:	Auto, Manual
White balance modes:	auto, manual
Image control features:	FW Features - Image Control

FW features - camera control

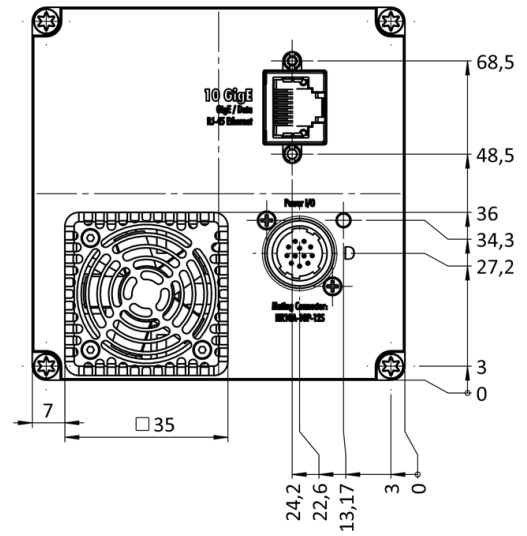
Trigger modes/sync:	INTERNAL,SOFTWARE,EXTERNAL
Camera control features:	User Sets, POE, PWM(4), Sequencer,



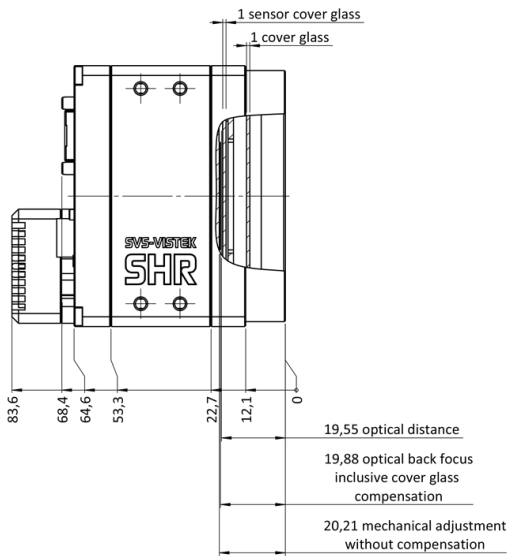
front



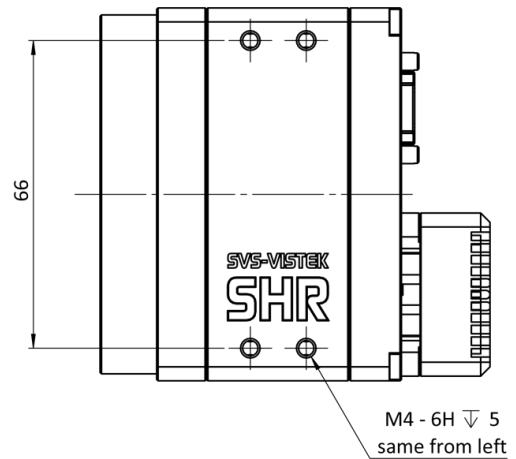
back



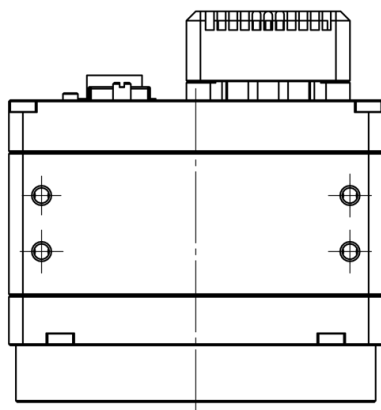
cross section



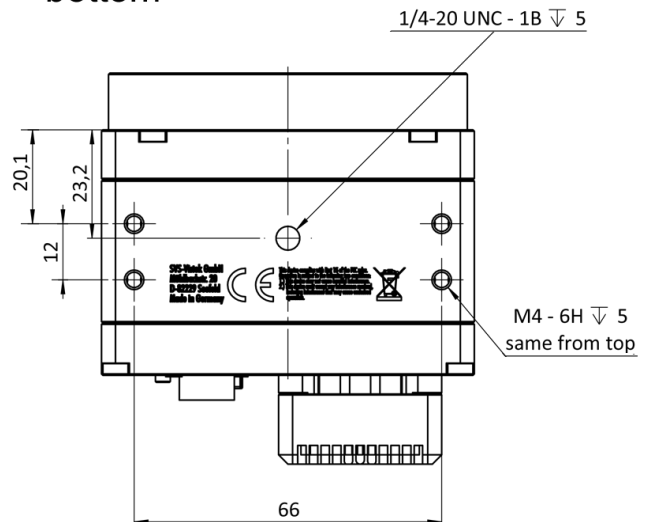
right side



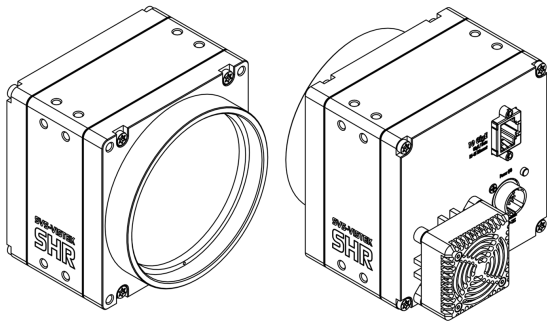
top



bottom

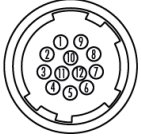


3D



I/O pin assignment

Hirose 12 Pin



1	VIN -	(GND)	7	OUT 1	(open drain)
2	VIN +	(10 V to 25 V DC)	8	OUT 2	(open drain)
3	IN 4	(RXD RS232)	9	IN 3 +	(opto In +)
4	OUT 4	(TXD RS232)	10	IN 3 -	(opto In -)
5	IN 1	(0-24V)	11	OUT 3	(open drain)
6	IN 2	(0-24V)	12	OUT 0	(open drain)