

# HR CoaXPress

hr49MCX



## General

Model	hr49MCX
Product code	F004140
Product series	HR CoaXPress
Status	Deleted

## Sensor

Sensor type	Area scan
Chroma	Mono
Spectrum	Visible
Spectral range	400 nm to 1000 nm
Resolution	7,008 × 7,000 (49.00 MP)
Sensor model	Gpixel GMAX3265-49
Sensor architecture (material)	cmos
Shutter type(s)	global-shutter
Sensor size	22.43 × 22.4 mm (31.7 mm, 37.4mm (2.3"))
Pixel size	3.20 μm × 3.20 μm

## Pixel formats

Sensor bit depth	8-Bit,10-Bit
Monochrome pixel formats	mono8, mono10

## Timing and gain

Max. frame rate	30 fps
Exposure time	60 μs (max)
Gain	0.0 dB to 18.0 dB

## I/Os and power

Non-isolated lines	0 x LVDS input, 0 x LVDS output 0 x TTL input, 0 x TTL output, 2 x 24V input, 4 x Open drain output
Specific non-isolated lines	1 x RS232 input, 1 x RS232 output, 0 x RS422 input, 0 x RS422 output
Opto-isolated lines	1 x Optical isolated input, 0 x Optical isolated Input,
Power supply	10 to 25VDC
Power consumption	External: 14 W (typical at 12 VDC)

## Operating conditions

Operating temperature (housing)	-10 °C to 65 °C
---------------------------------	-----------------

## Mechanical properties

Body dimensions (L x W x H in mm)	76 × 70 × 70
IP class	IP30
Lens mount(s)	M58x0.75
Weight	420 g

## On-board memory and FPGA

Non-volatile memory (Flash)	160 KByte
-----------------------------	-----------

## Interfaces

Digital interface	cxp-6 with 4 connections
Interface connector	(Din1.0/2.3)

## FW features - image control

Exposure modes	Manual, Auto, External
Gain modes	Auto, Manual
Image control features	FW Features - Image Control

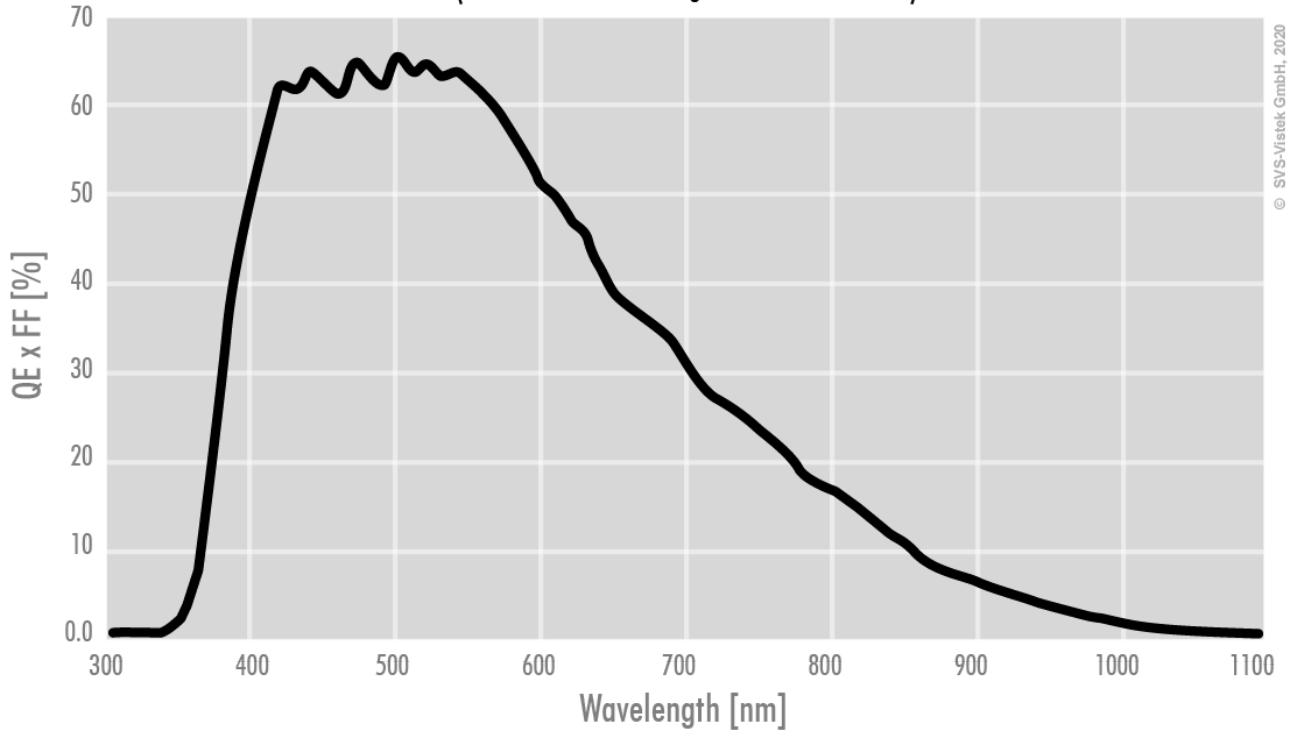
## FW features - camera control

Trigger modes/sync	INTERNAL, SOFTWARE, EXTERNAL
Camera control features	PoCxP, User Sets, PWM(4), Sequencer,

Quantum Efficiency

**Monochrome**

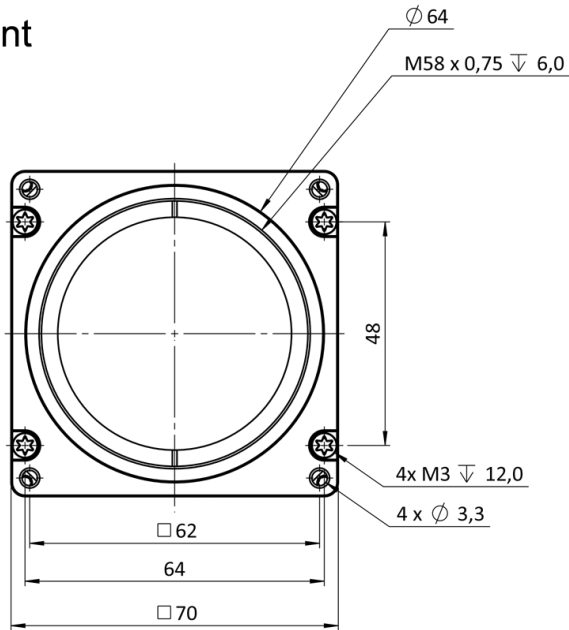
(not included: lens- and light source characteristics)



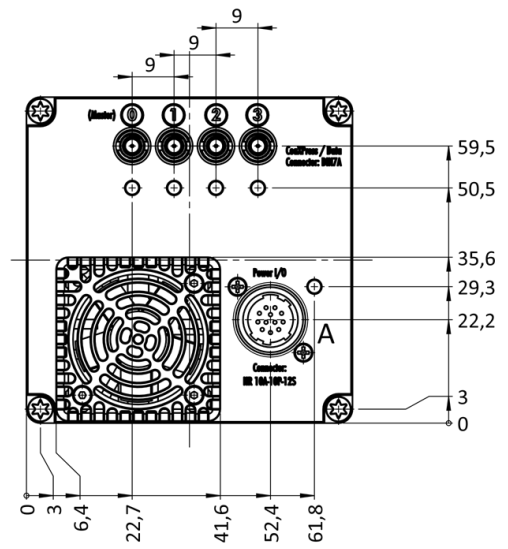
© SVS-Vistek GmbH, 2020

Technical Drawing

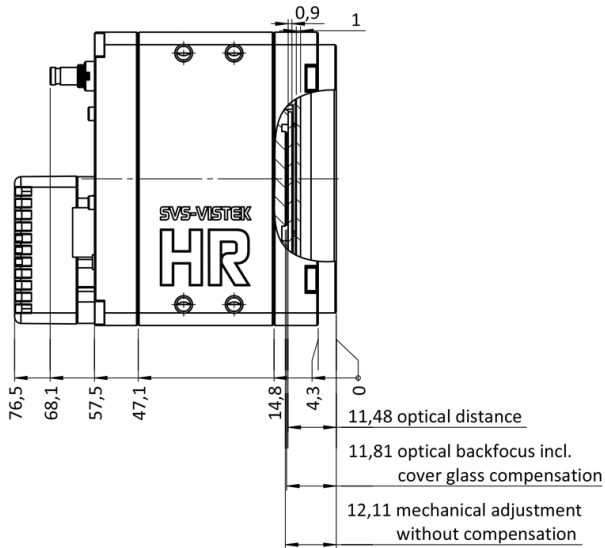
front



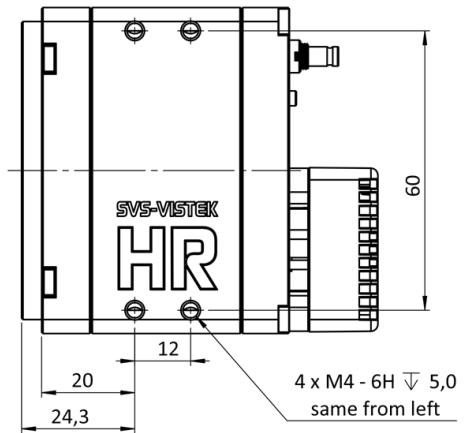
back



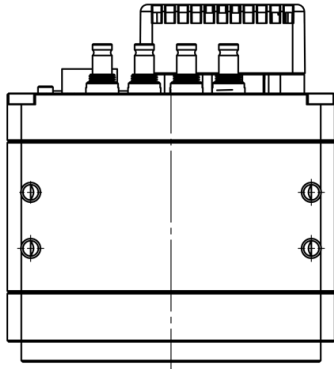
cross section



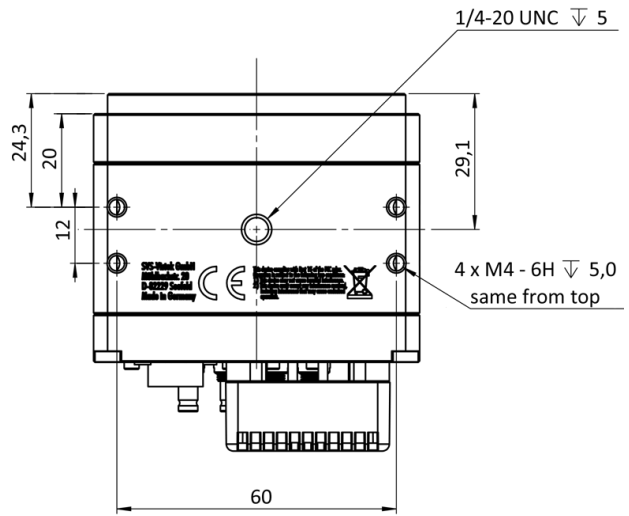
right side



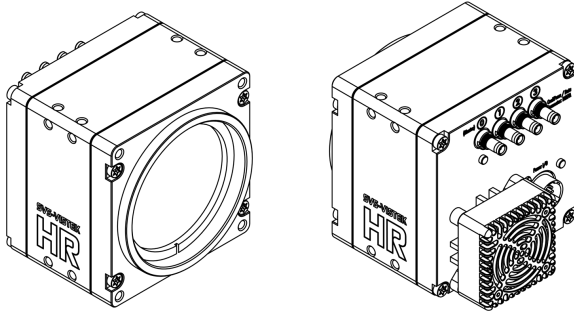
top



bottom



3D



## I/O pin assignment



Hirose 12 Pin

1	VIN - (GND)	7	OUT 1 (open drain)
2	VIN + (10 V to 25 V DC)	8	OUT 2 (open drain)
3	IN 4 (RXD RS232)	9	IN 3 + (opto In +)
4	OUT 4 (TXD RS232)	10	IN 3 - (opto In -)
5	IN 1 (0-24V)	11	OUT 3 (open drain)
6	IN 2 (0-24V)	12	OUT 0 (open drain)